

[54] PICTURE VIEWER

[75] Inventor: Peter Ackeret, Küsnacht, Switzerland

[73] Assignee: Licinvest AG, Chur, Switzerland

[\*\*] Term: 14 Years

[21] Appl. No.: 261,024

[22] Filed: May 6, 1981

[30] Foreign Application Priority Data

Nov. 8, 1980 [DE] Fed. Rep. of Germany ..... URA 1152/80

[51] Int. Cl. .... D16-99

[52] U.S. Cl. .... D16/11; D16/14; 40/513

[58] Field of Search ..... D16/11, 14, 15, 17-18, D16/38; D6/236, 232, 238, 241-242, 244; D9/420, 423, 432; 40/490, 511, 513; D20/10

[56] References Cited

U.S. PATENT DOCUMENTS

- D. 255,745 7/1980 Pedersen ..... D6/236
- D. 257,584 12/1980 Finkel ..... D9/423
- D. 265,485 7/1982 Liptak ..... D6/244 X

- 3,696,537 10/1972 Alleman ..... 40/511
- 3,783,540 1/1974 Barclay ..... 40/511
- 4,057,920 11/1977 Weggeland ..... 40/513
- 4,259,802 4/1981 Ackeret ..... 40/513

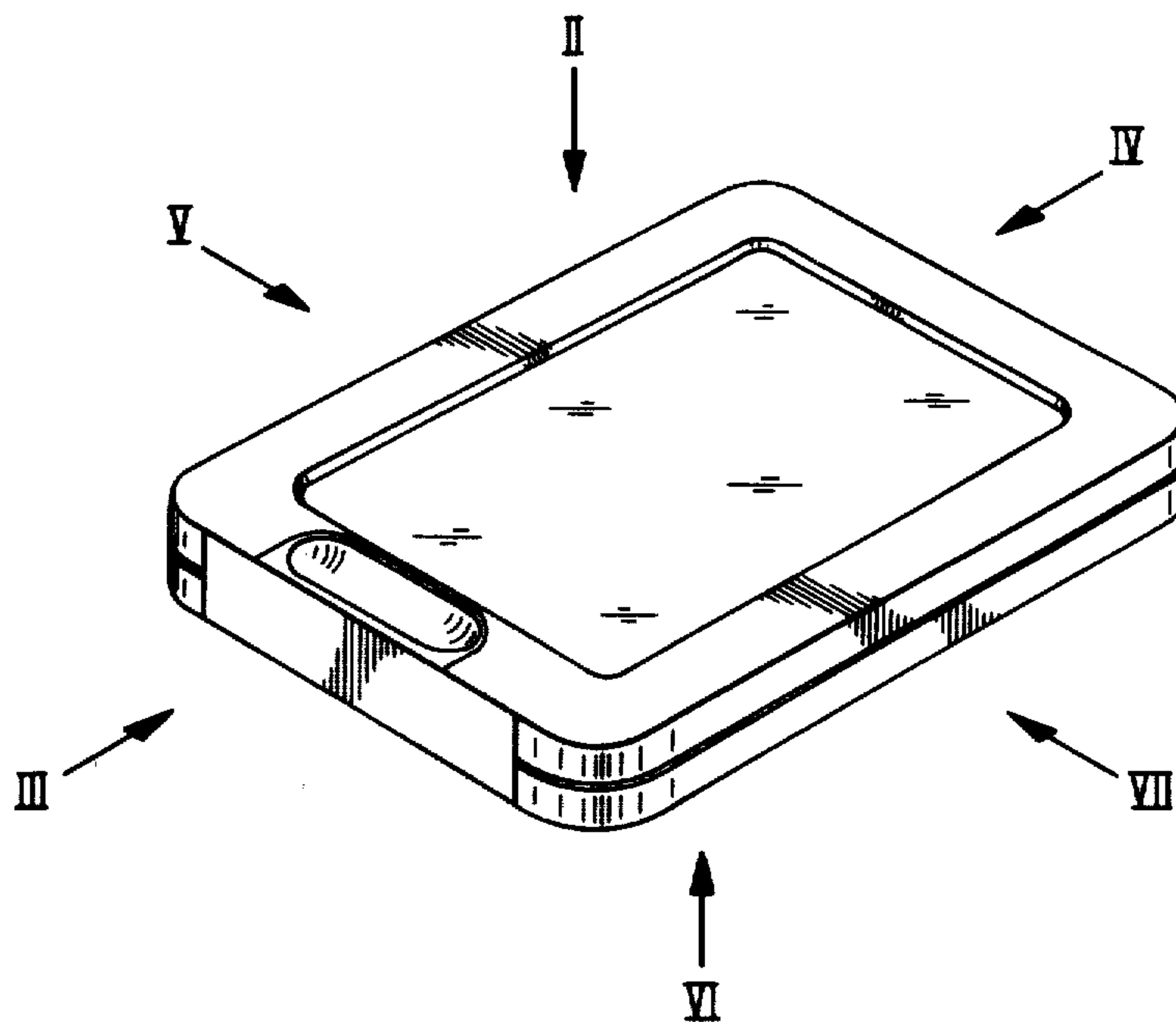
Primary Examiner—Nelson C. Holtje  
Attorney, Agent, or Firm—Peterson, Palmatier, Sturm, Sjoquist & Baker, Ltd.

[57] CLAIM

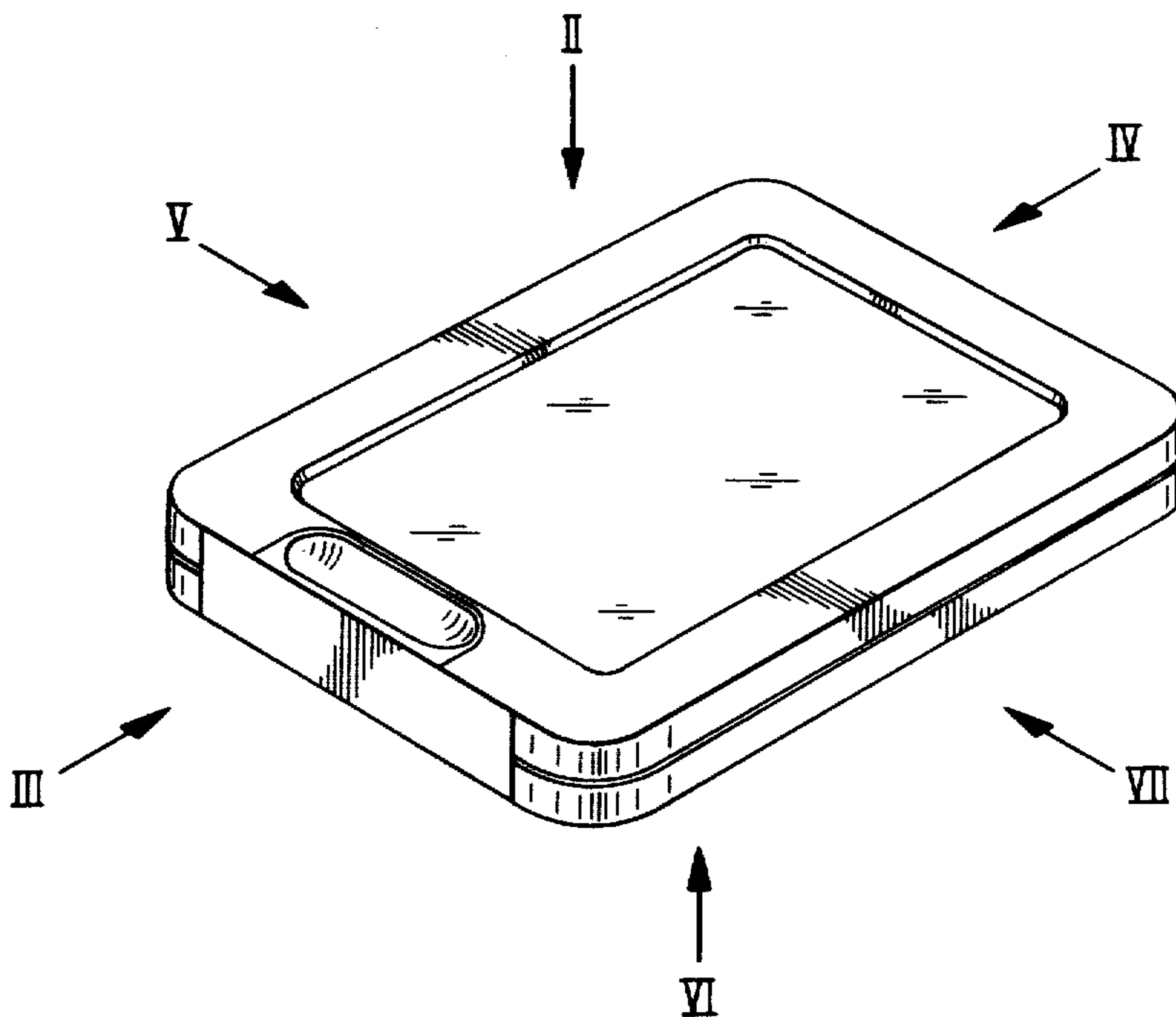
The ornamental design for a picture viewer, as shown and described.

DESCRIPTION

FIG. 1 is a top and left front perspective view of a picture viewer showing my new design;  
 FIG. 2 is a top plan view as taken from arrow II of FIG. 1;  
 FIG. 3 is a left side elevational view as taken from arrow III of FIG. 1;  
 FIG. 4 is a right side elevational view as taken from arrow IV of FIG. 1;  
 FIG. 5 is a rear elevational view as taken from arrow V of FIG. 1;  
 FIG. 6 is a bottom plan view as taken from arrow VI of FIG. 1;  
 FIG. 7 is a front elevational view as taken from arrow VII of FIG. 1.



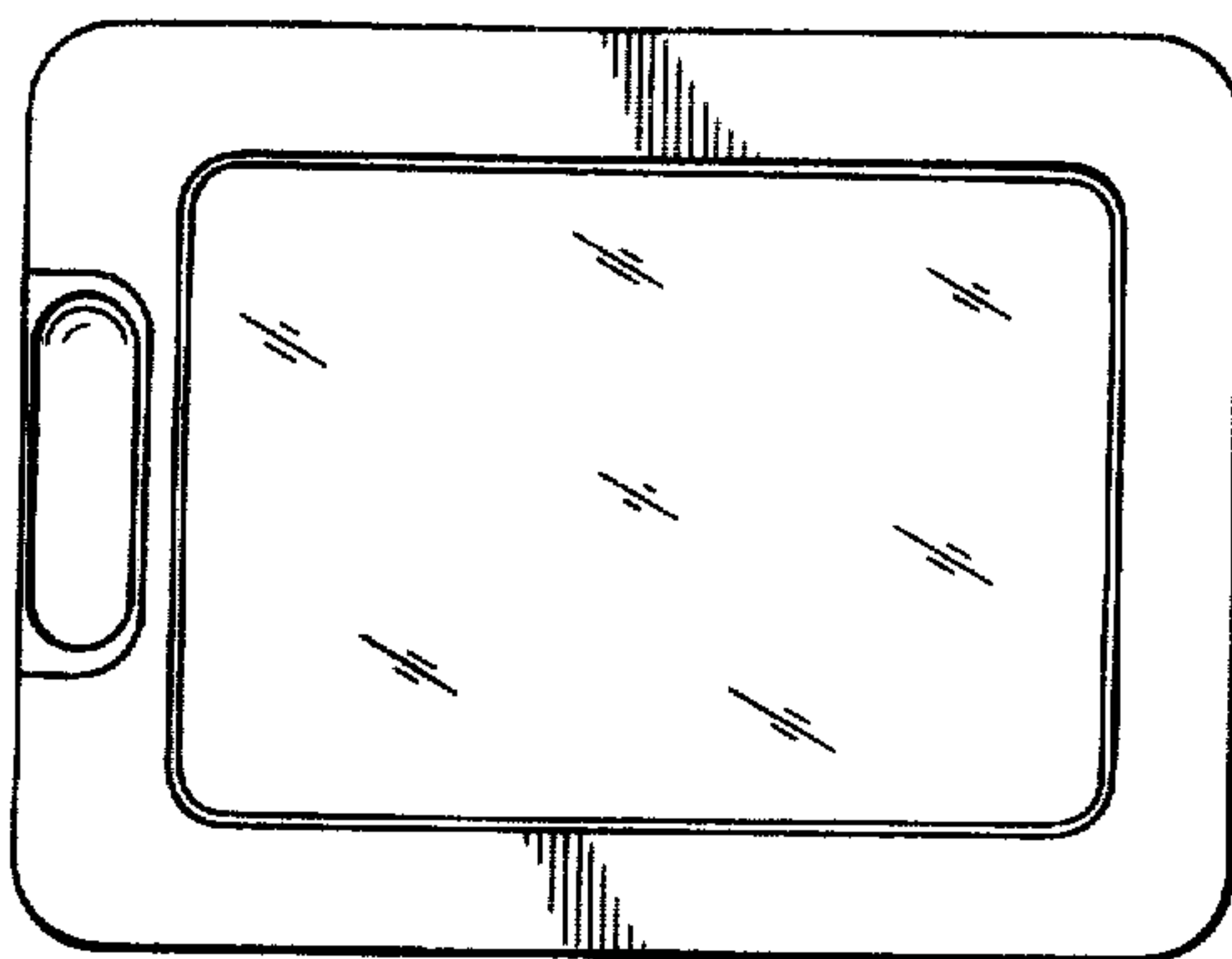
***Fig. 1***



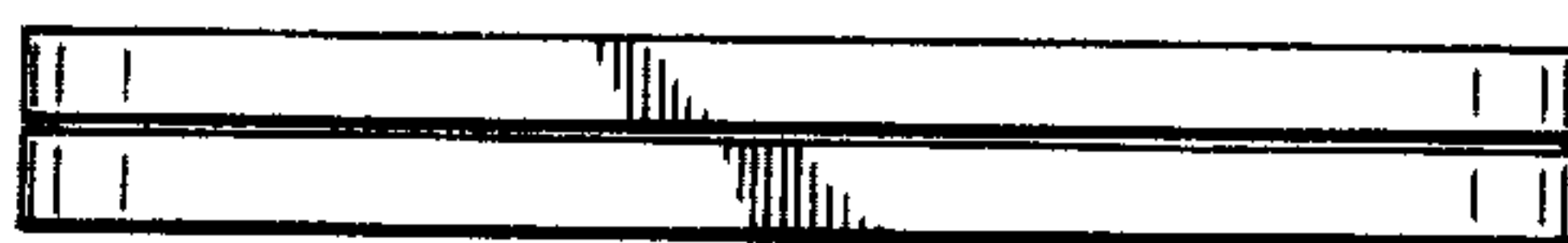
***Fig. 4***



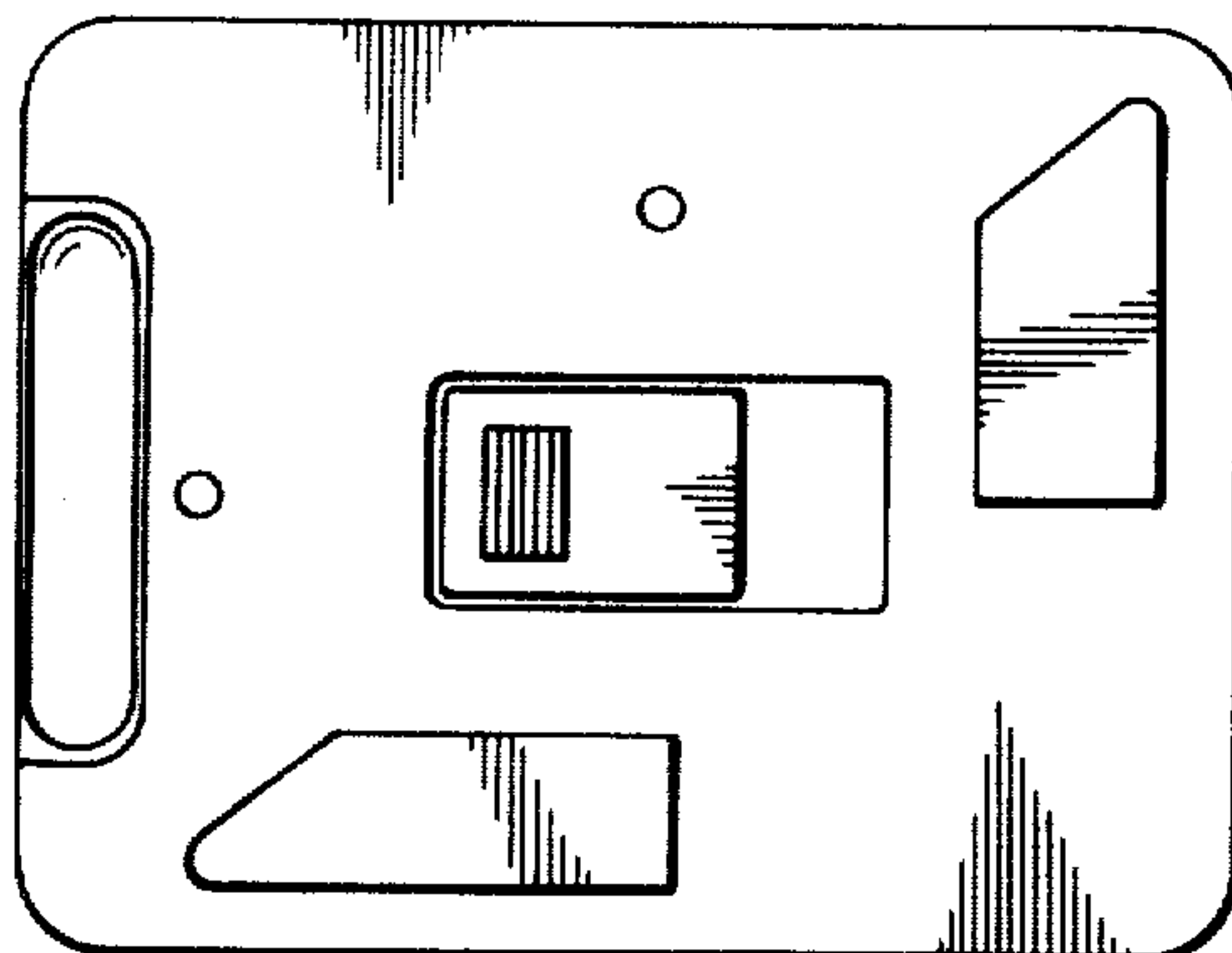
***Fig. 2***



***Fig. 3***



***Fig. 5***



***Fig. 6***



***Fig. 7***