

[54] COMBINED DISC AND TAPE DRIVE

[75] Inventors: Samuel N. Irwin; Otto R. Butsch; Francis Lum, all of Ann Arbor; Juan F. Velazquez, Saline, all of Mich.

[73] Assignee: Irwin International, Inc., Ann Arbor, Mich.

[**] Term: 14 Years

[21] Appl. No.: 184,788

[22] Filed: Sep. 8, 1980

[51] Int. Cl. D14-02

[52] U.S. Cl. D14/109; D14/108

[58] Field of Search D14/107, 108, 6, 109

[56] References Cited

U.S. PATENT DOCUMENTS

D. 244,865 6/1977 Kneale et al. D14/6

OTHER PUBLICATIONS

Sykes Datatronics, Inc., Rochester, N.Y., Code No.

4-A Flyer, Dem Floppy System Kit, p. Titled "An Idea Whose Time Has Come".

"Computer Products," 4-79, p. 26, Micro Peripherals Floppy-Disk Drive.

North Star, Berkeley, CA, Computers Product Cat. #1767P, 50M, 8 79, 8/79, p. 6.

Electronics, 10-11-79, p. 62, TEAC FD-50A Mini Disk Drive.

Primary Examiner—Jane E. Corrigan

Attorney, Agent, or Firm—Price, Heneveld, Huizenga & Cooper

[57] CLAIM

The ornamental design for a combined disc and tape drive, substantially as shown and described.

DESCRIPTION

FIG. 1 is a front and top perspective view of a combined disc and tape drive showing our design;

FIG. 2 is a front elevational view thereof;

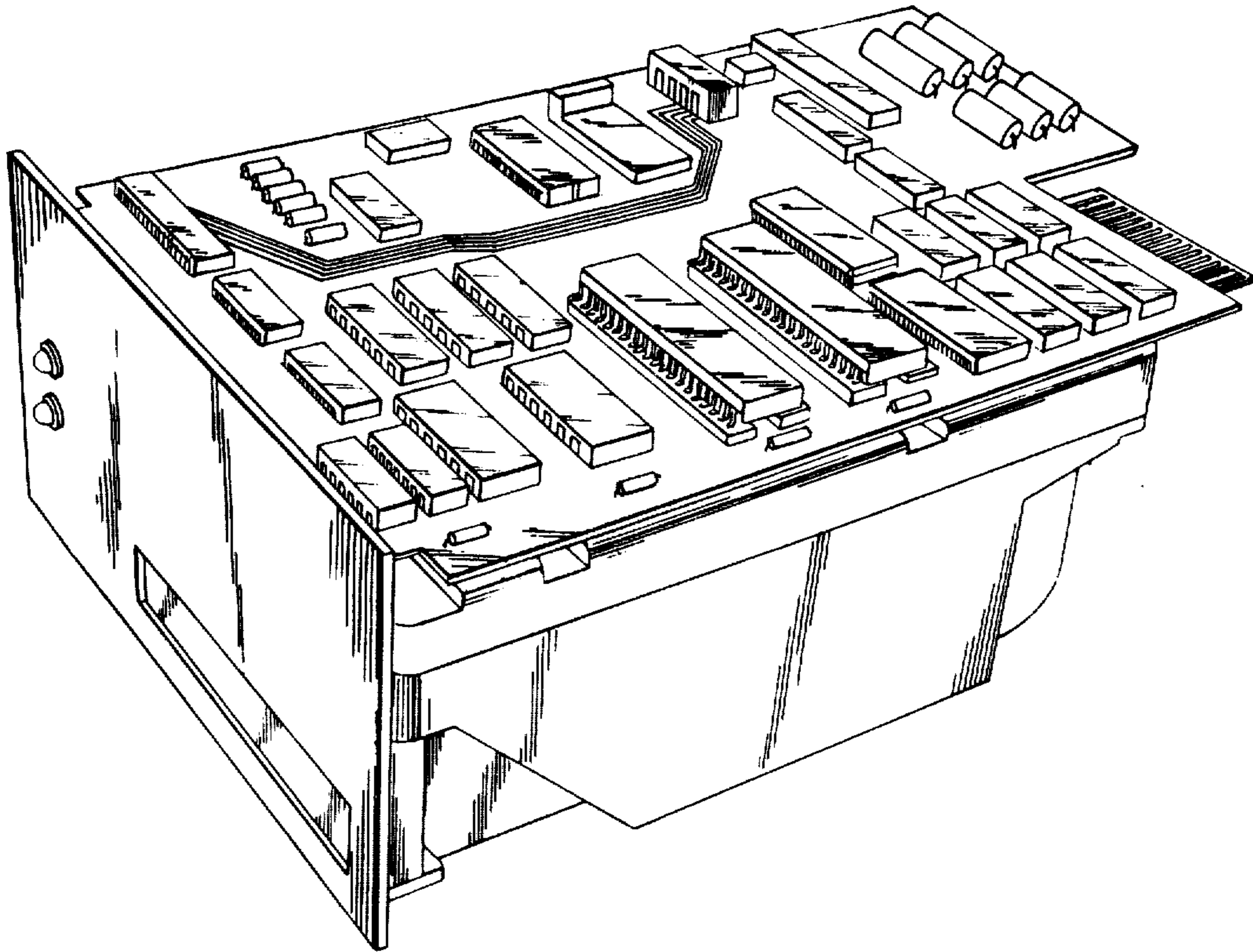
FIG. 3 is a right side elevational view;

FIG. 4 is a left side elevational view;

FIG. 5 is a rear elevational view thereof;

FIG. 6 is a top plan view; and

FIG. 7 is a bottom plan view thereof.



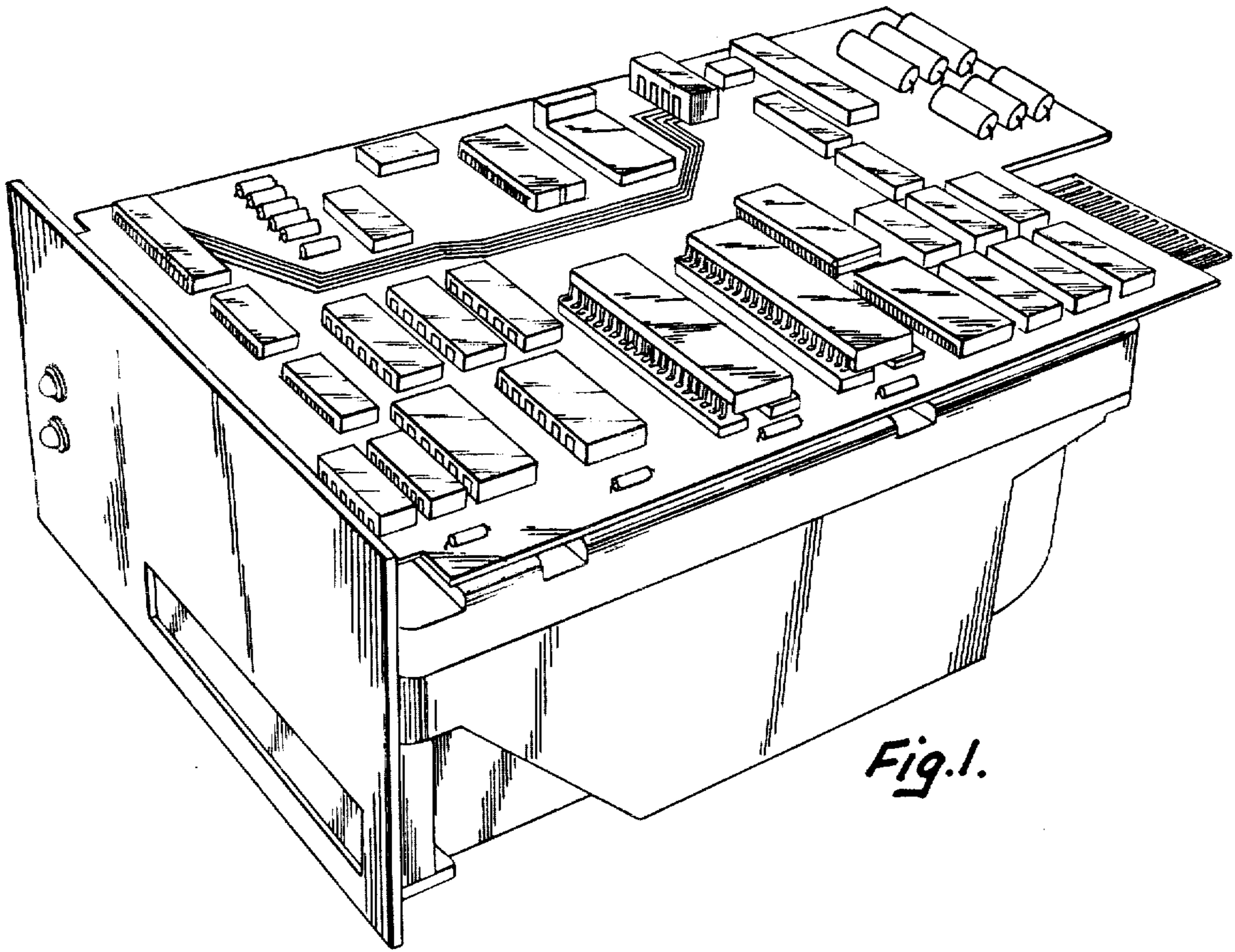


Fig. 1.

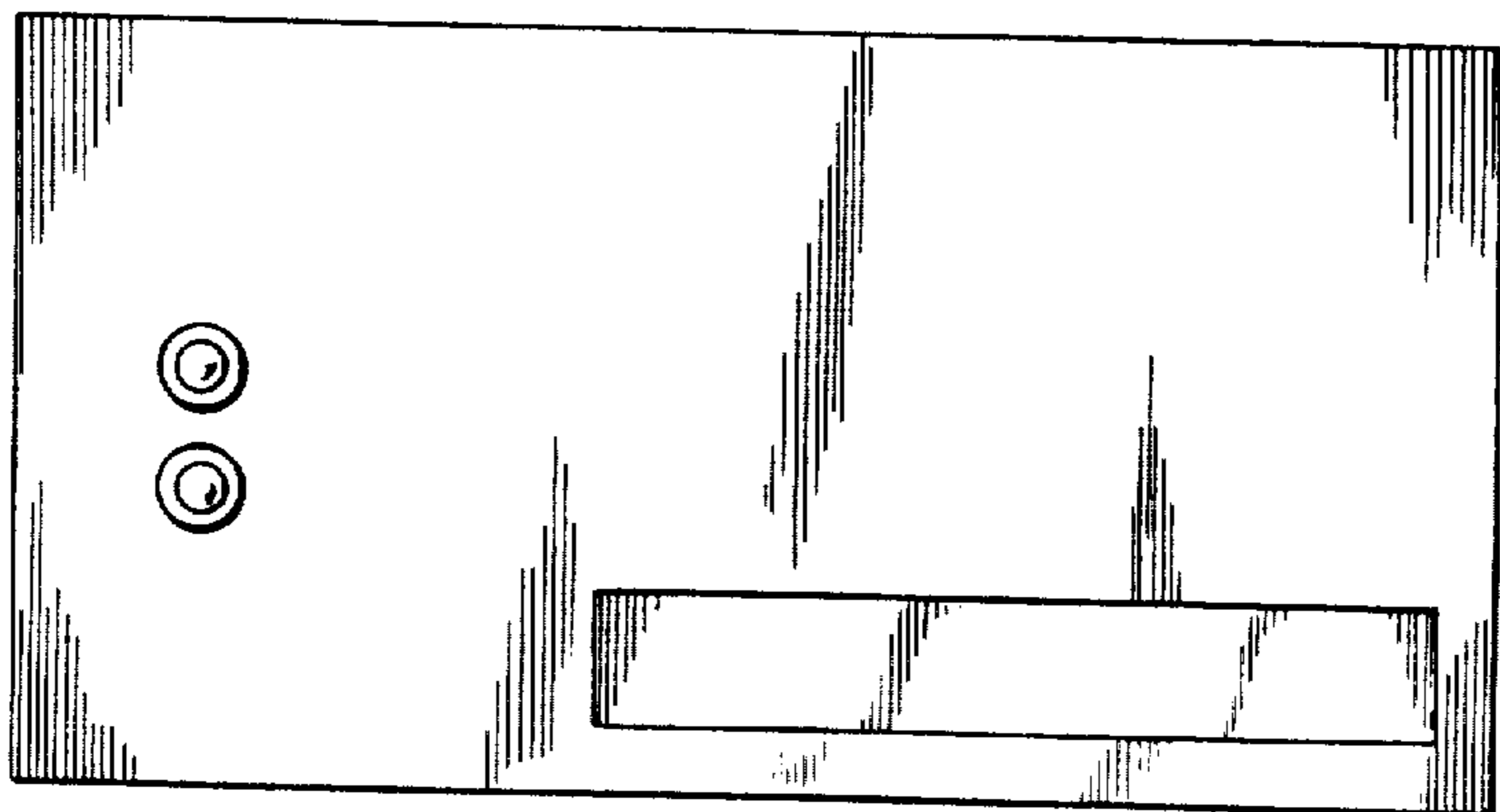


Fig. 2.

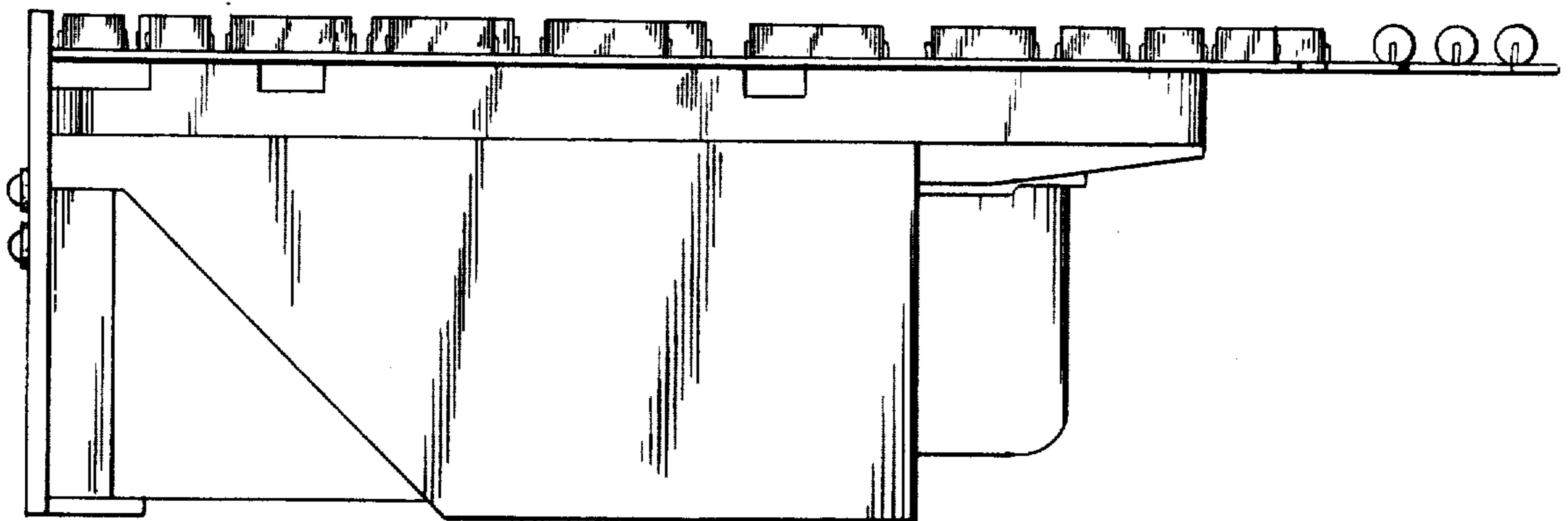


Fig. 3

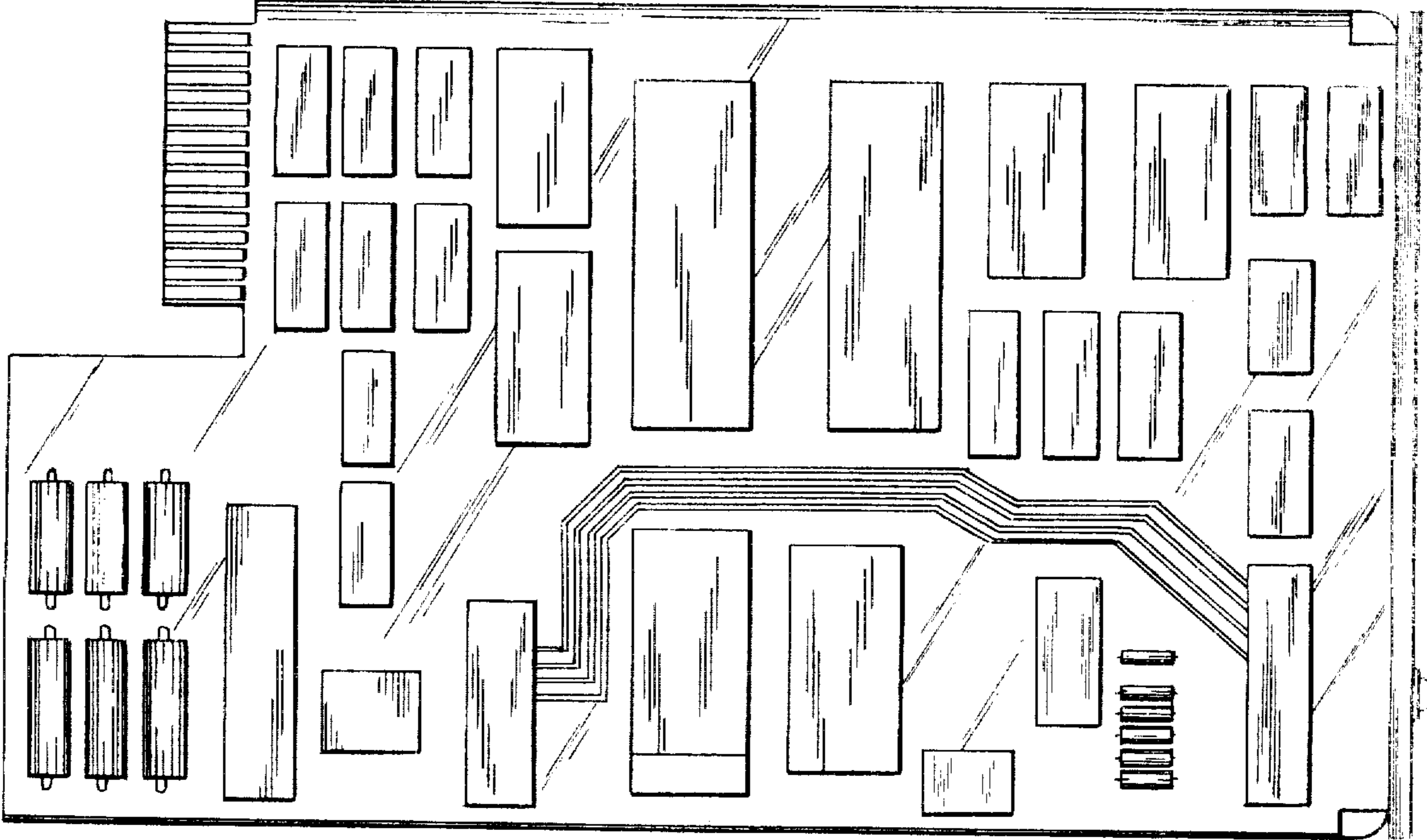


Fig. 6.

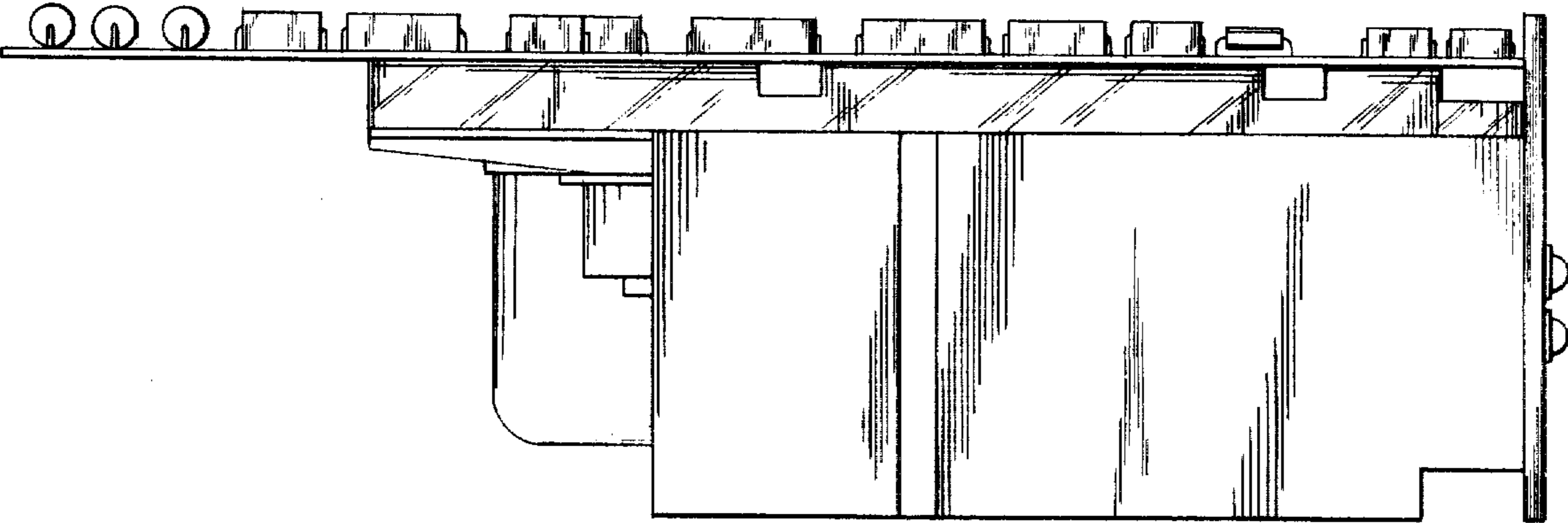


Fig. 4.

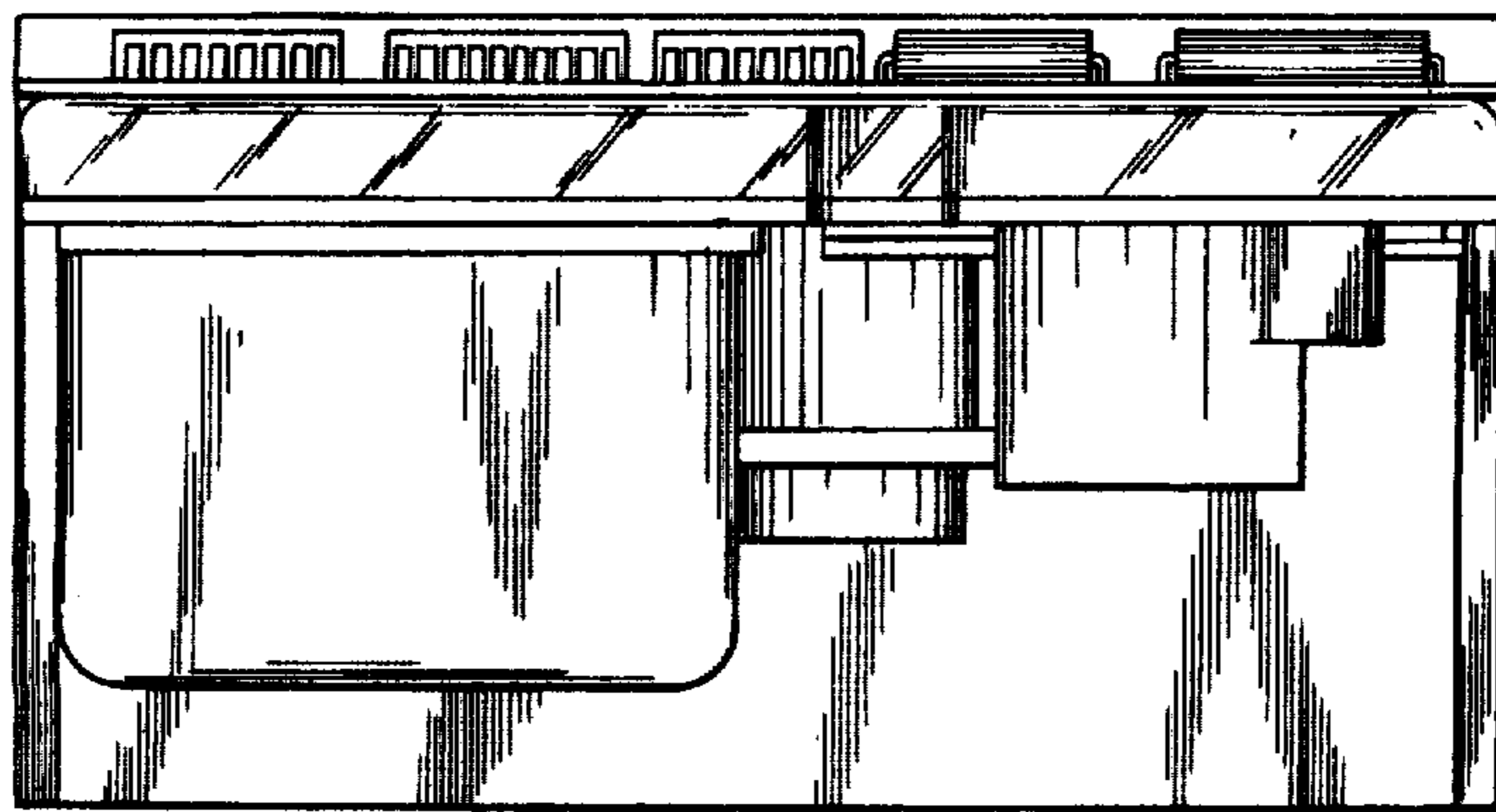


Fig. 5.

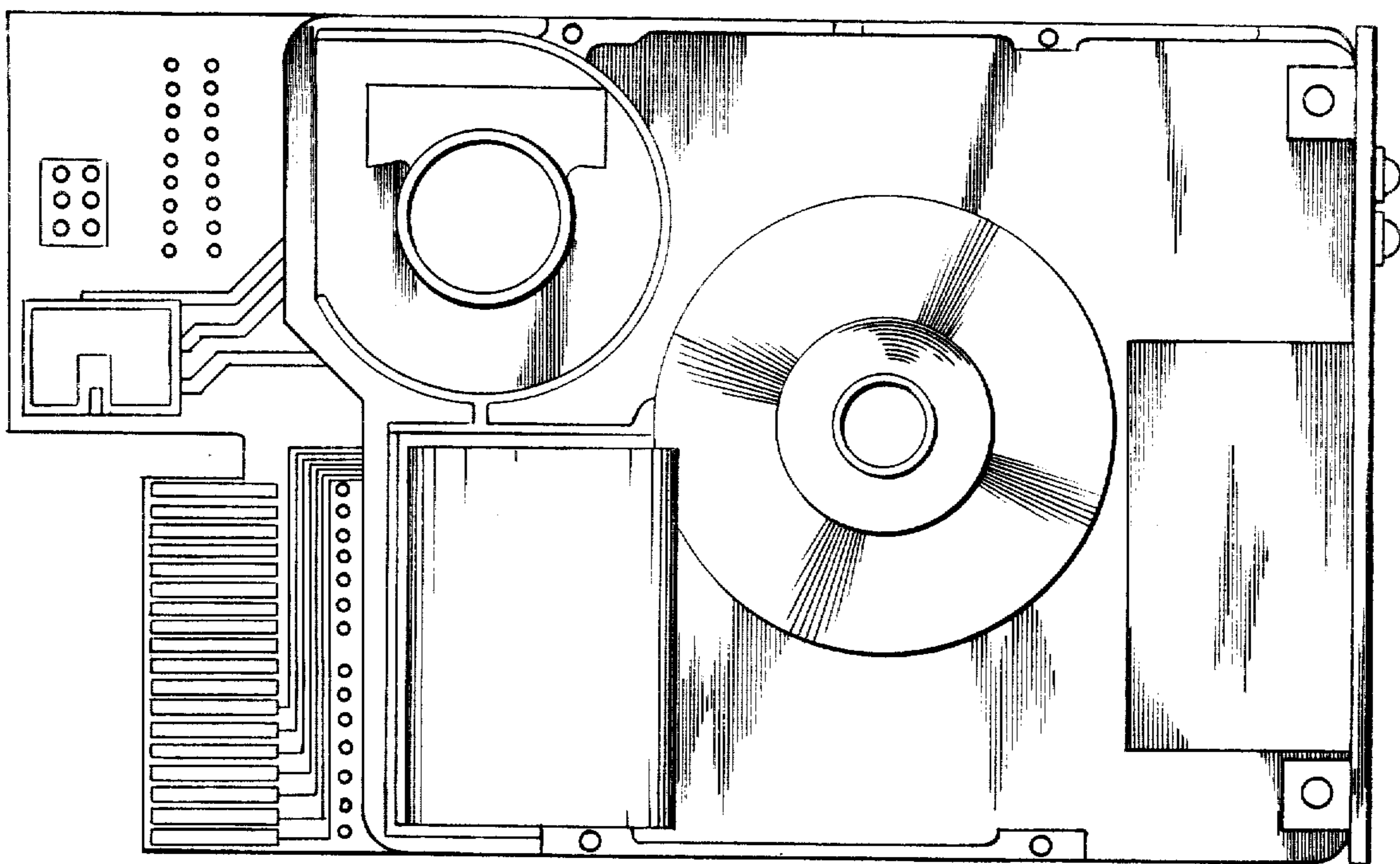


Fig. 7.