

[54] **DEMOUNTABLE ANTENNA**

[76] Inventor: **Helmut Spycher**, Klosterstrasse 40,  
CH-5430 Wettingen, Switzerland

[\*\*] Term: **14 Years**

[21] Appl. No.: **329,699**

[22] Filed: **Dec. 11, 1981**

**Related U.S. Application Data**

[62] Division of Ser. No. 190,554, Sep. 24, 1980.

[51] Int. Cl. .... **D14-03**

[52] U.S. Cl. .... **D14/56; D14/91**

[58] Field of Search .... **D14/86, 88-91;  
343/715**

[56] **References Cited  
PUBLICATIONS**

*Radio & TV News*, 9-57, p. 163, Ward Products Corp.  
Ad, Antenna Model #TCFR-2.  
*Radio Shack Cat. #303*, p. 20, Antenna #21-980, p. 21,  
Antenna #21-966.

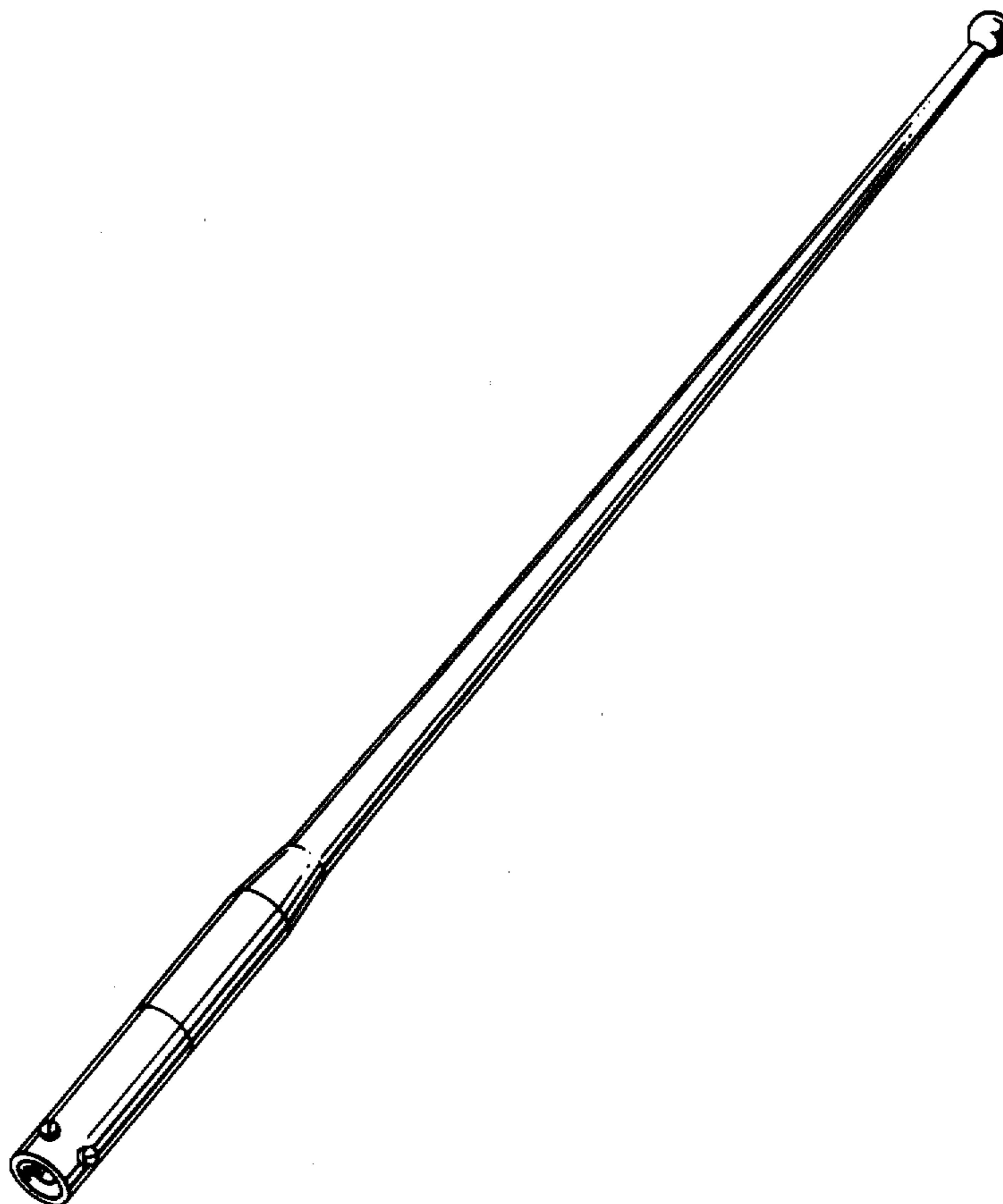
*Primary Examiner*—Jane E. Corrigan  
*Attorney, Agent, or Firm*—Paul Stux

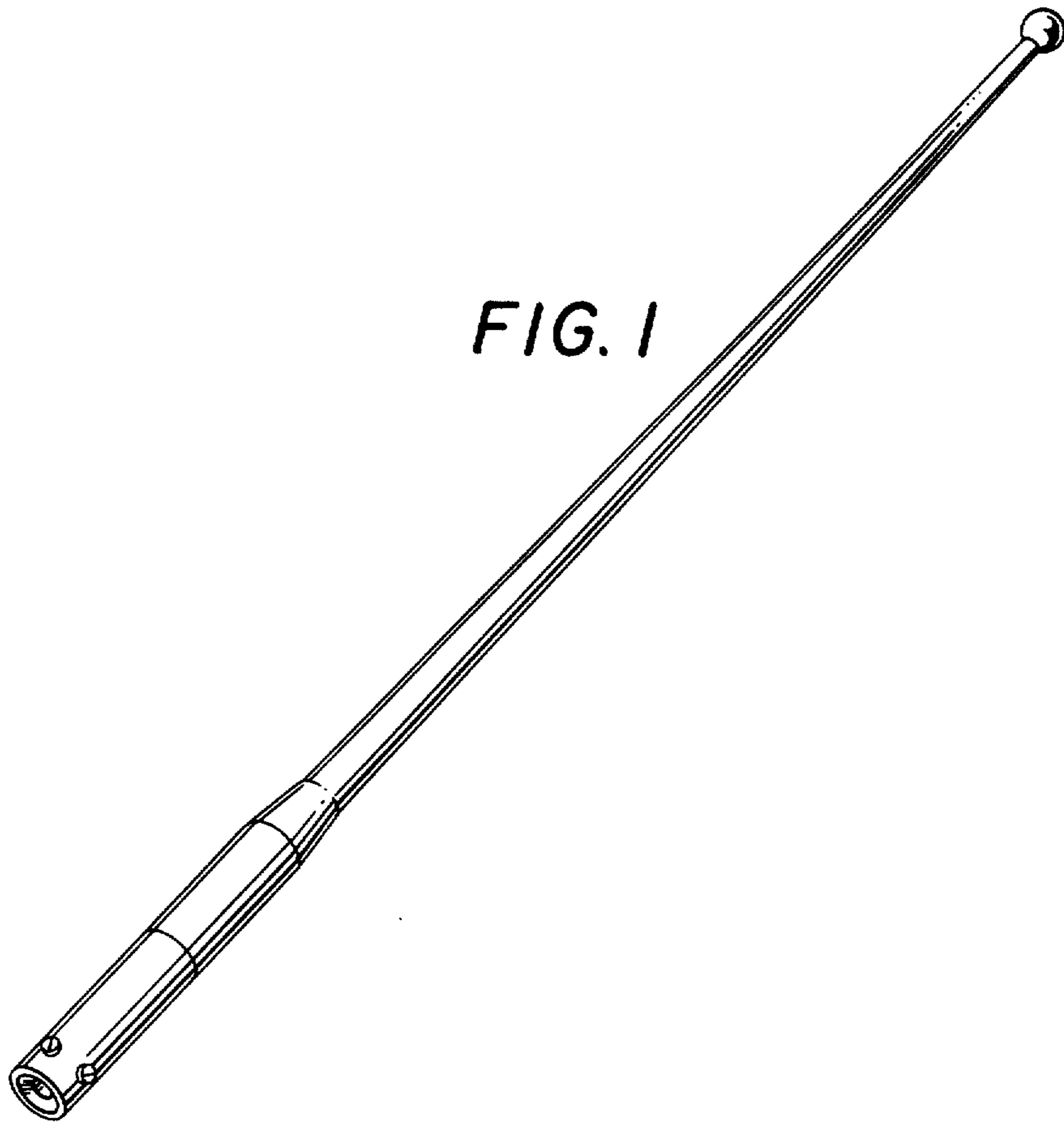
[57] **CLAIM**

The ornamental design for a demountable antenna, as  
shown and described.

**DESCRIPTION**

FIG. 1 is a perspective view of a demountable antenna  
showing my new design;  
FIG. 2 is a front elevational view; and  
FIG. 3 is a bottom plan view;  
This is a division of design application Ser. No. 190,554,  
filed Sept. 24, 1980.





*FIG. 1*



*FIG. 2*



*FIG. 3*