

[54] BICYCLE REAR CLUSTER GEAR WITH BUILT-IN SPACER

[76] Inventor: Robert A. Bytheway, 4611 Whitwood La., San Jose, Calif. 95130

[**] Term: 14 Years

[21] Appl. No.: 273,489

[22] Filed: Jun. 15, 1981

[51] Int. Cl. D12-11

[52] U.S. Cl. D12/124

[58] Field of Search D12/124, 123; 74/750 B, 74/594.1, 594.2; 474/164

[56] References Cited

U.S. PATENT DOCUMENTS

- 892,935 7/1908 Cataldo 74/594.1
- 3,082,637 3/1963 Paxton 474/164

OTHER PUBLICATIONS

American Bicyclist & Motorcyclist, 1/80, p. 96, Free-wheel Gear, top right side of page.

American Bicyclist & Motorcyclist, 4/79, p. 107, Gear Wheel, bottom left side of page.

Primary Examiner—James M. Gandy
Attorney, Agent, or Firm—Paul L. Hickman

[57] CLAIM

The ornamental design for a bicycle rear cluster gear with built-in spacer, as shown and described.

DESCRIPTION

FIG. 1 is a front elevational view of a bicycle rear cluster gear with built-in spacer showing my new design.

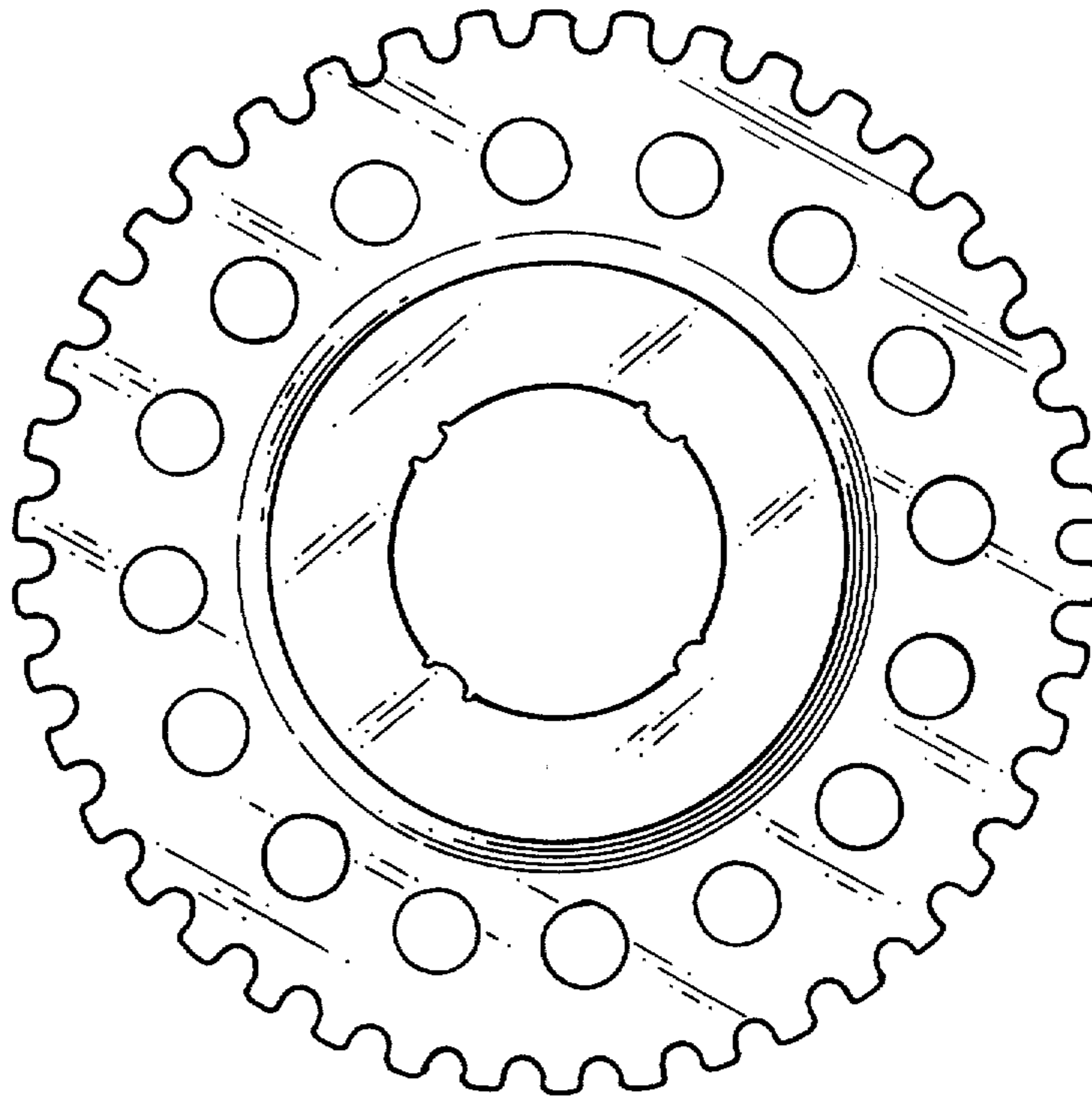
FIG. 2 is a top plan view thereof.

FIG. 3 is a rear elevational view thereof.

FIG. 4 is a front elevational view of a bicycle rear cluster gear with built-in spacer showing a second embodiment of my new design.

FIG. 5 is a top plan view of FIG. 4.

FIG. 6 is a rear elevational view of FIG. 4.



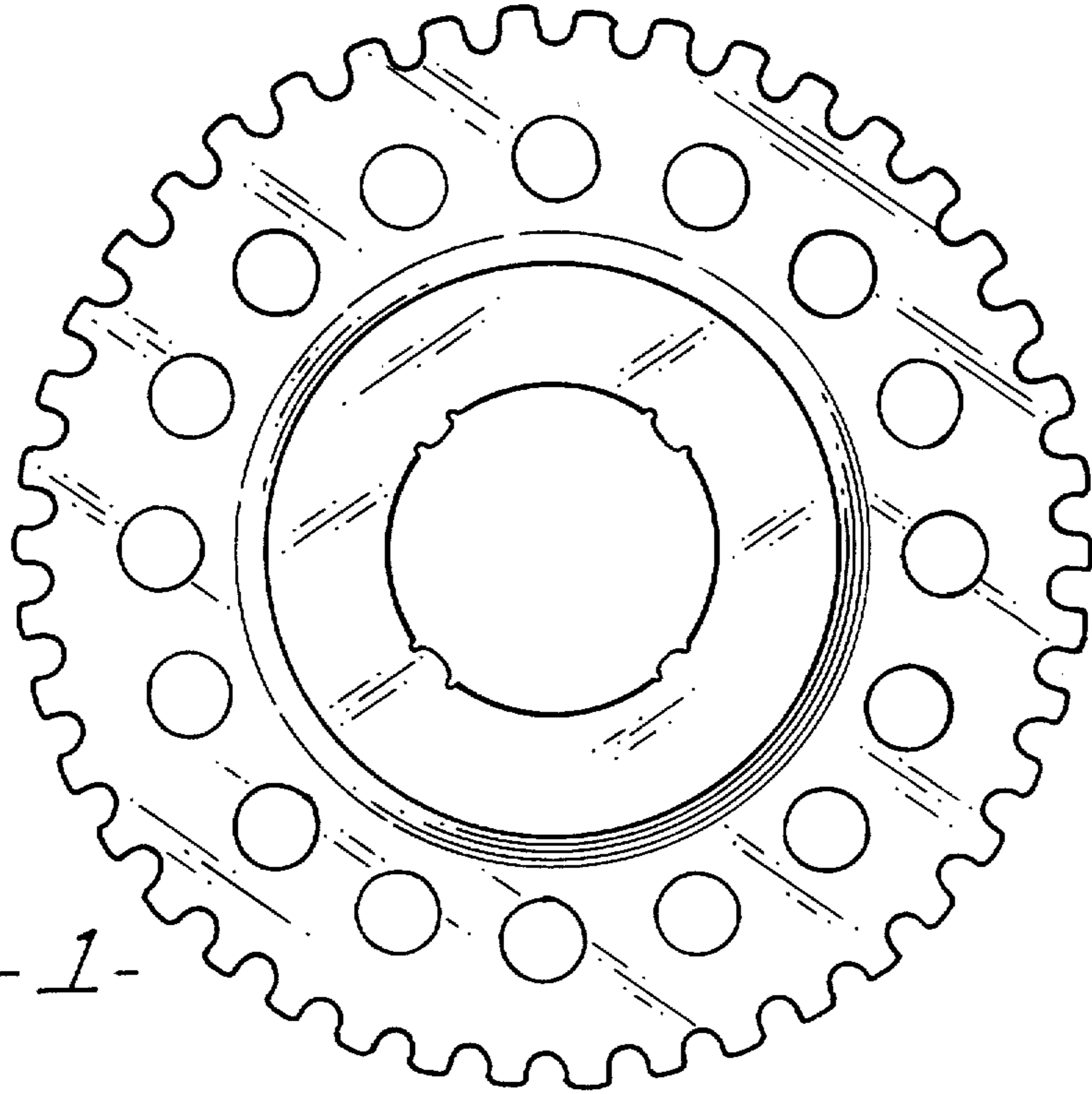


FIG. 1-



FIG. 2-

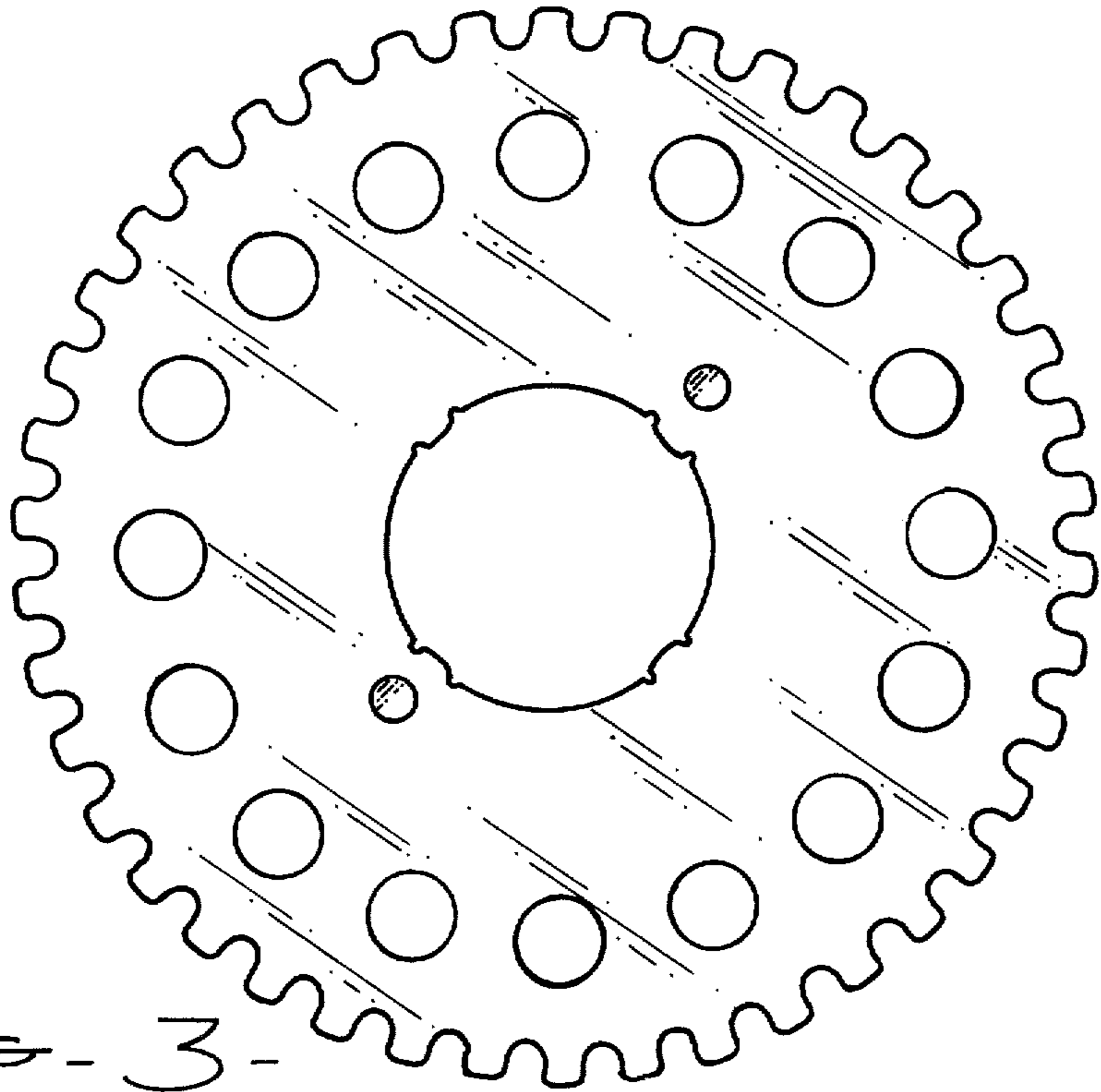


FIG. 3-

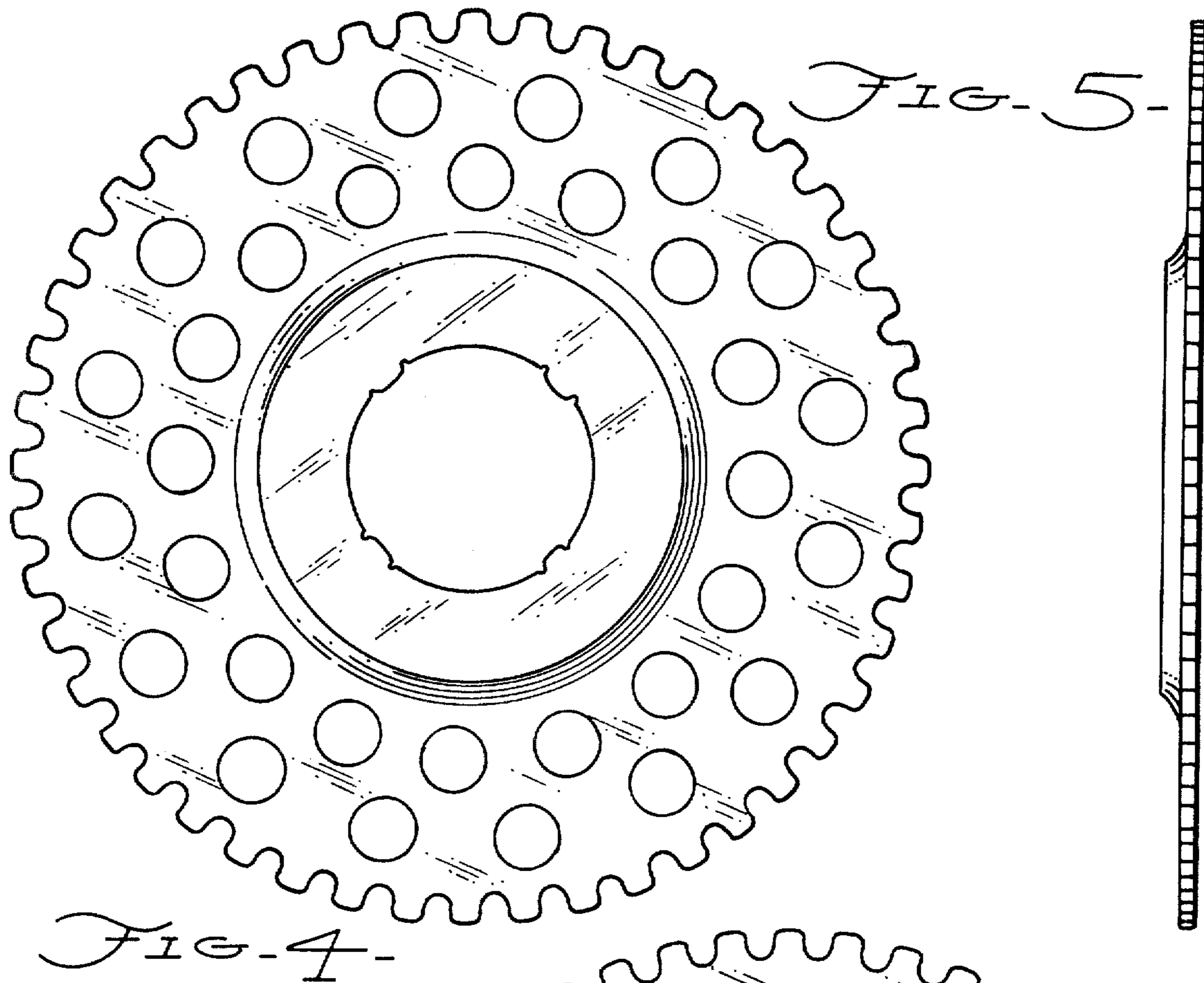


FIG. 4-

FIG. 5-

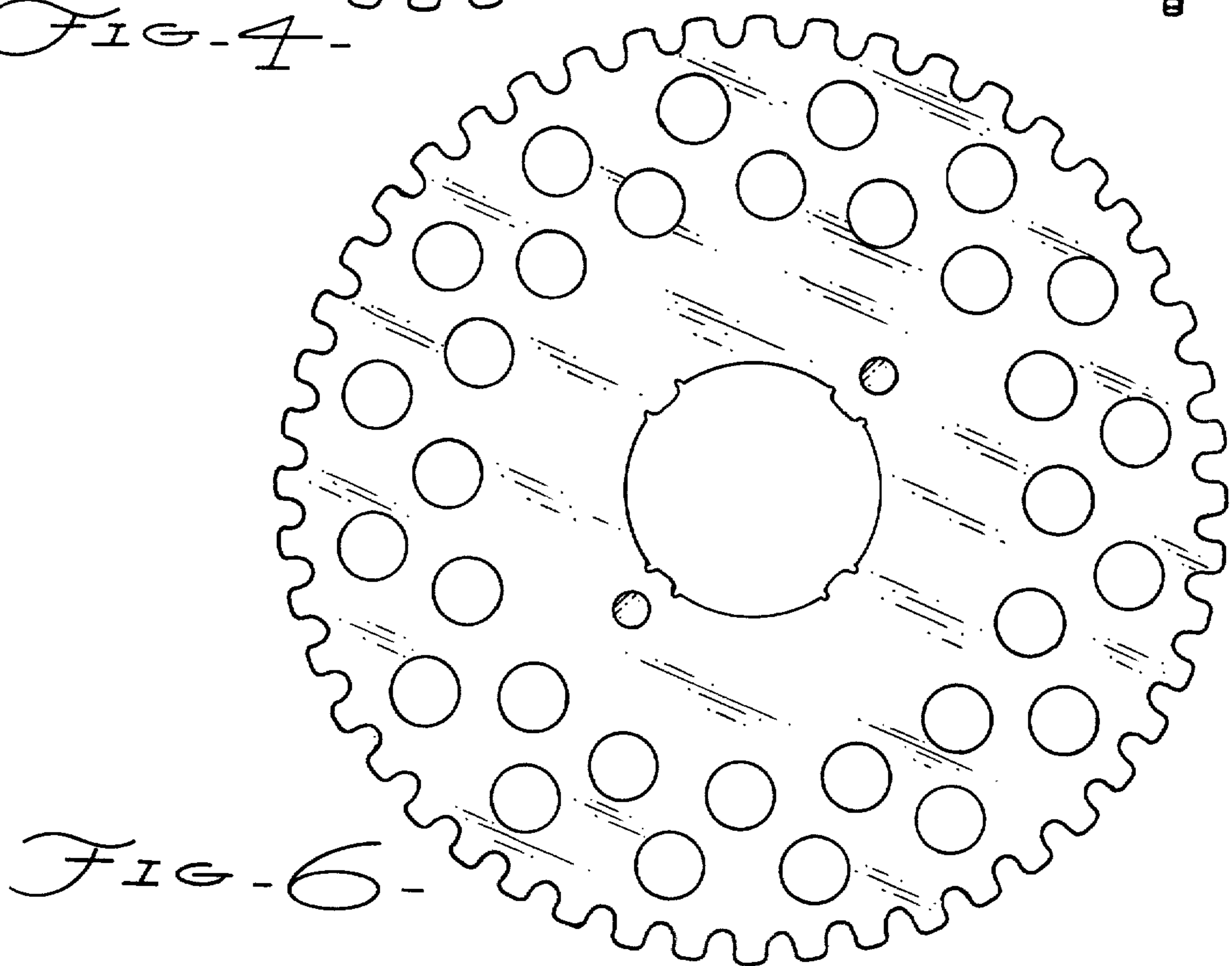


FIG. 6-