

[54] COMBINED BOTTLE CAP AND SPOON

[76] Inventor: Ronald L. Horsley, 1805 E. 14th St., San Leandro, Calif. 94577

[**] Term: 14 Years

[21] Appl. No.: 65,193

[22] Filed: Oct. 24, 1979

D. 191,387	9/1961	Hansen	D9/436
350,499	10/1886	Noe	229/15 C
1,425,456	8/1922	Dial	215/228
1,772,322	8/1930	Peterson et al.	229/1.5 C
2,487,274	11/1949	Schaffer	215/228
3,931,741	1/1976	Ceccarelli	229/1.5 C

Primary Examiner—Joel Stearman
Assistant Examiner—Carmen H. Vales
Attorney, Agent, or Firm—David E. Newhouse

Related U.S. Application Data

[63] Continuation-in-part of Ser. No. 914,913, Jun. 12, 1978.

[51] Int. Cl. D09—99

[52] U.S. Cl. D9/436; D9/453

[58] Field of Search D9/253, 254, 261, 262, D9/287, 434, 436, 447, 449, 452, 453, 454; 215/228; 220/212; 229/1.5 C; D7/54, 55

[56] **References Cited**

U.S. PATENT DOCUMENTS

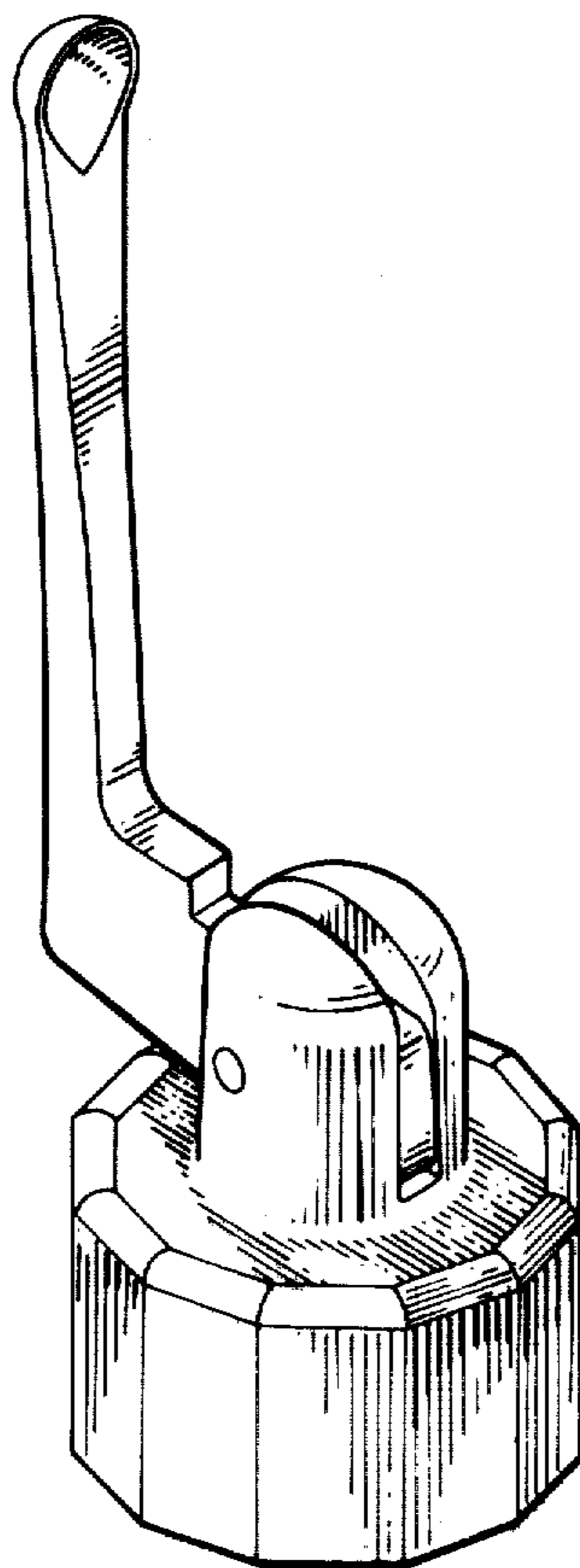
D. 90,649 9/1933 Fleisch D9/453

[57] **CLAIM**

The ornamental design for a combined bottle cap and spoon, substantially as shown and described.

DESCRIPTION

FIG. 1 is a perspective view of a combined bottle cap and spoon showing my new design; FIG. 2 is a right side elevational view thereof; FIG. 3 is a top plan view thereof; FIG. 4 is a bottom plan view thereof; and FIG. 5 is a right side elevational view with the spoon in a non-operative position.



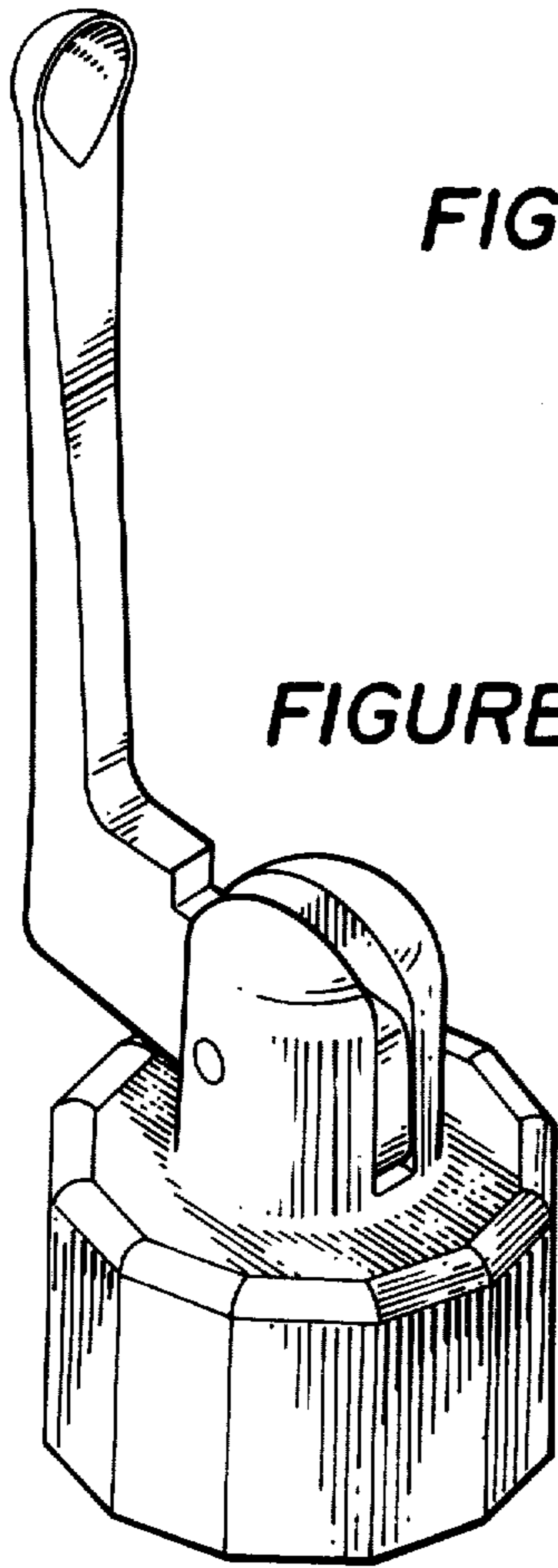


FIGURE 1

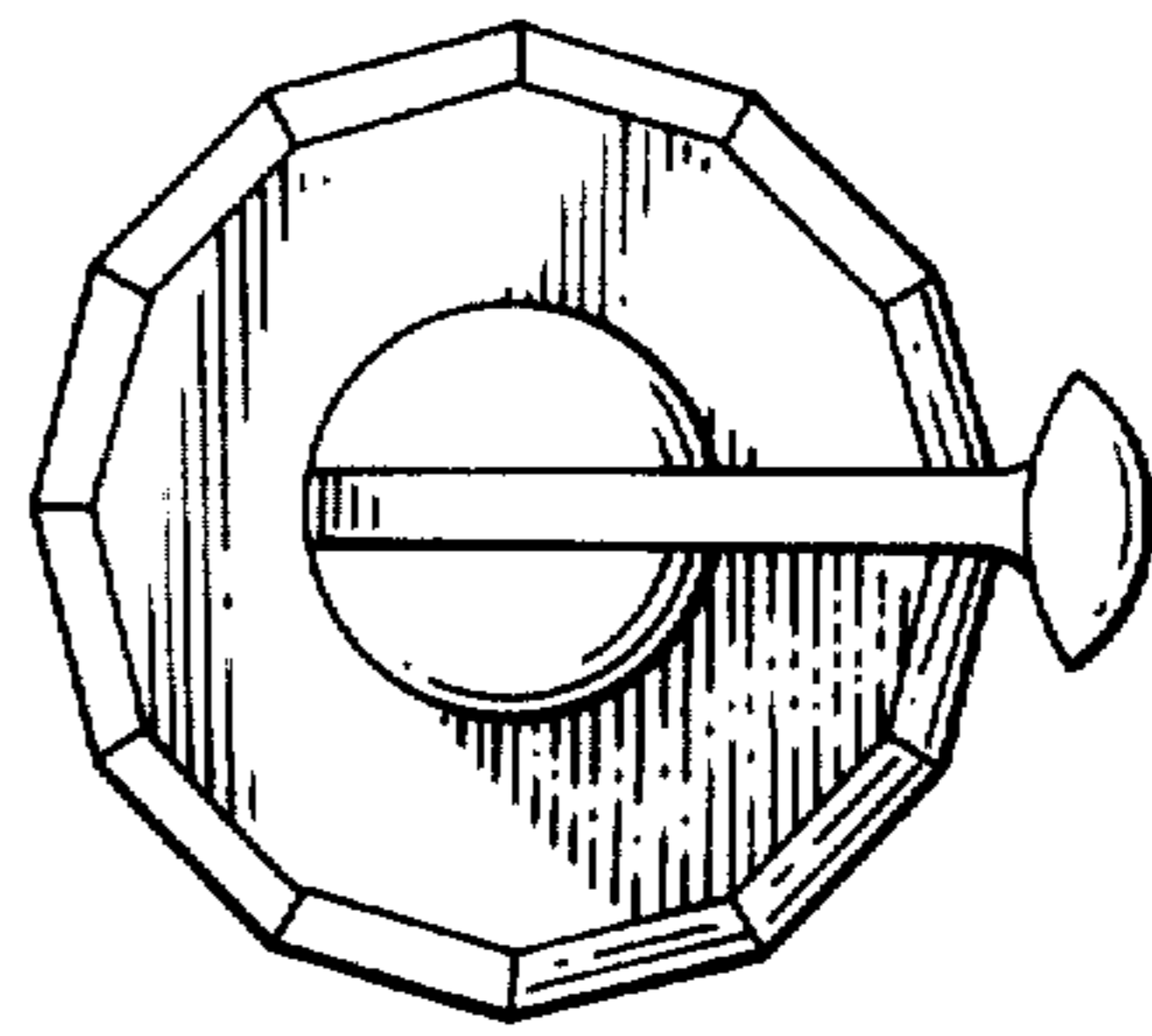


FIGURE 3

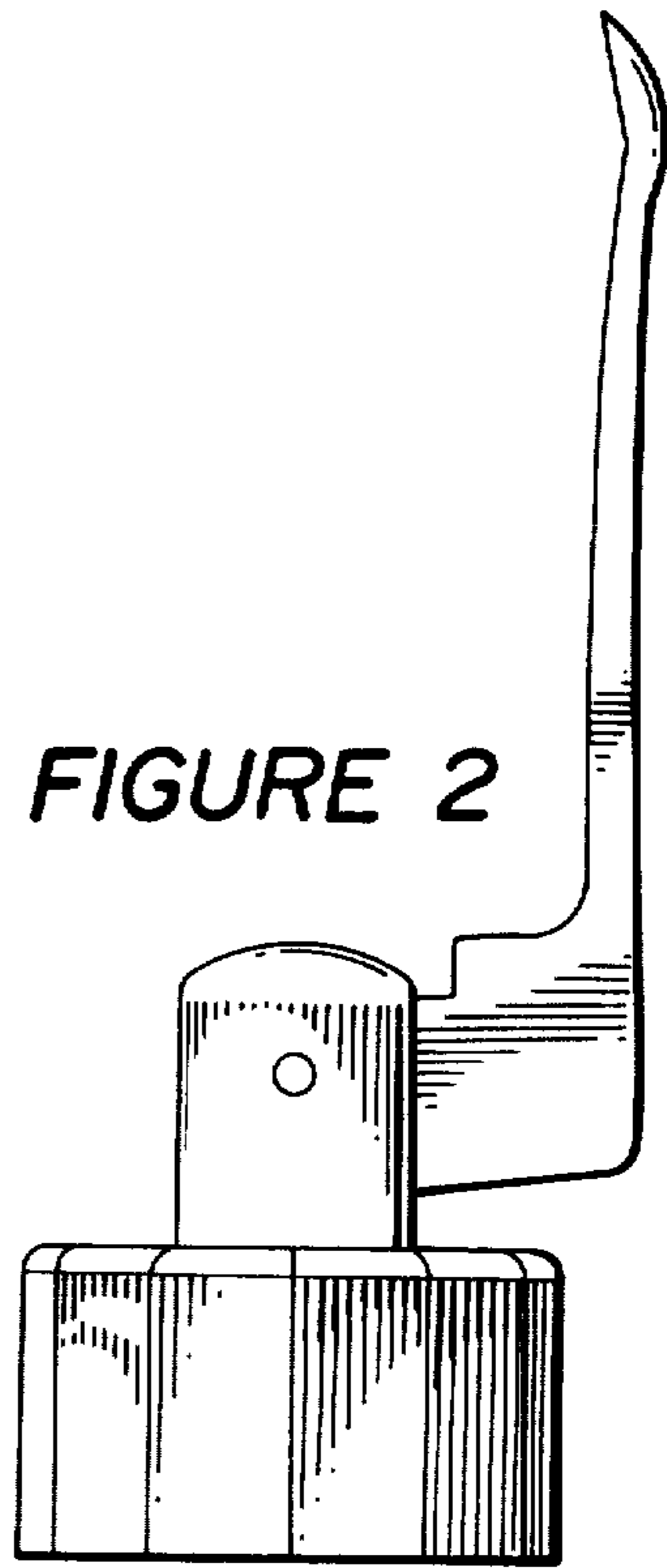


FIGURE 2

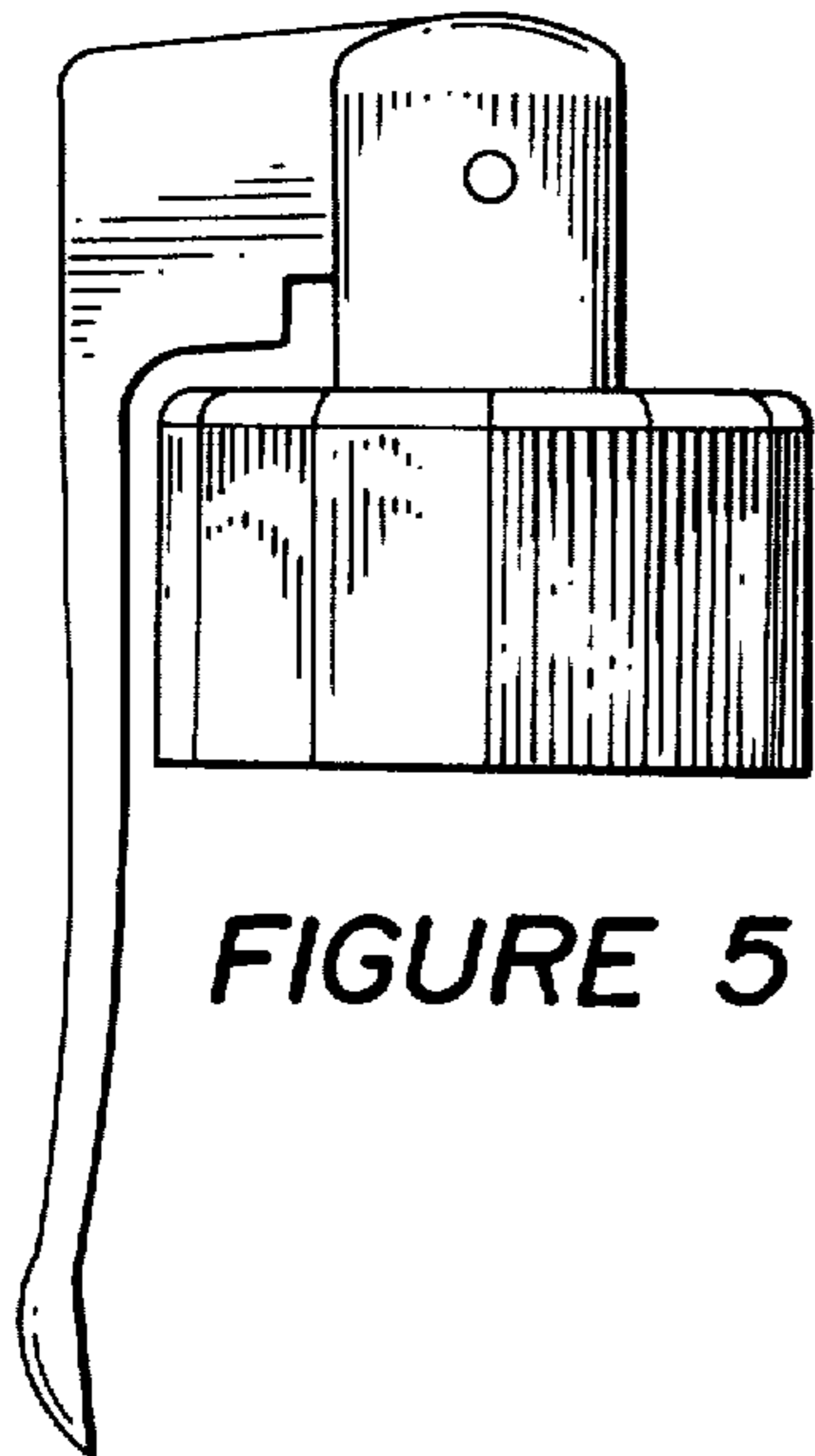


FIGURE 5

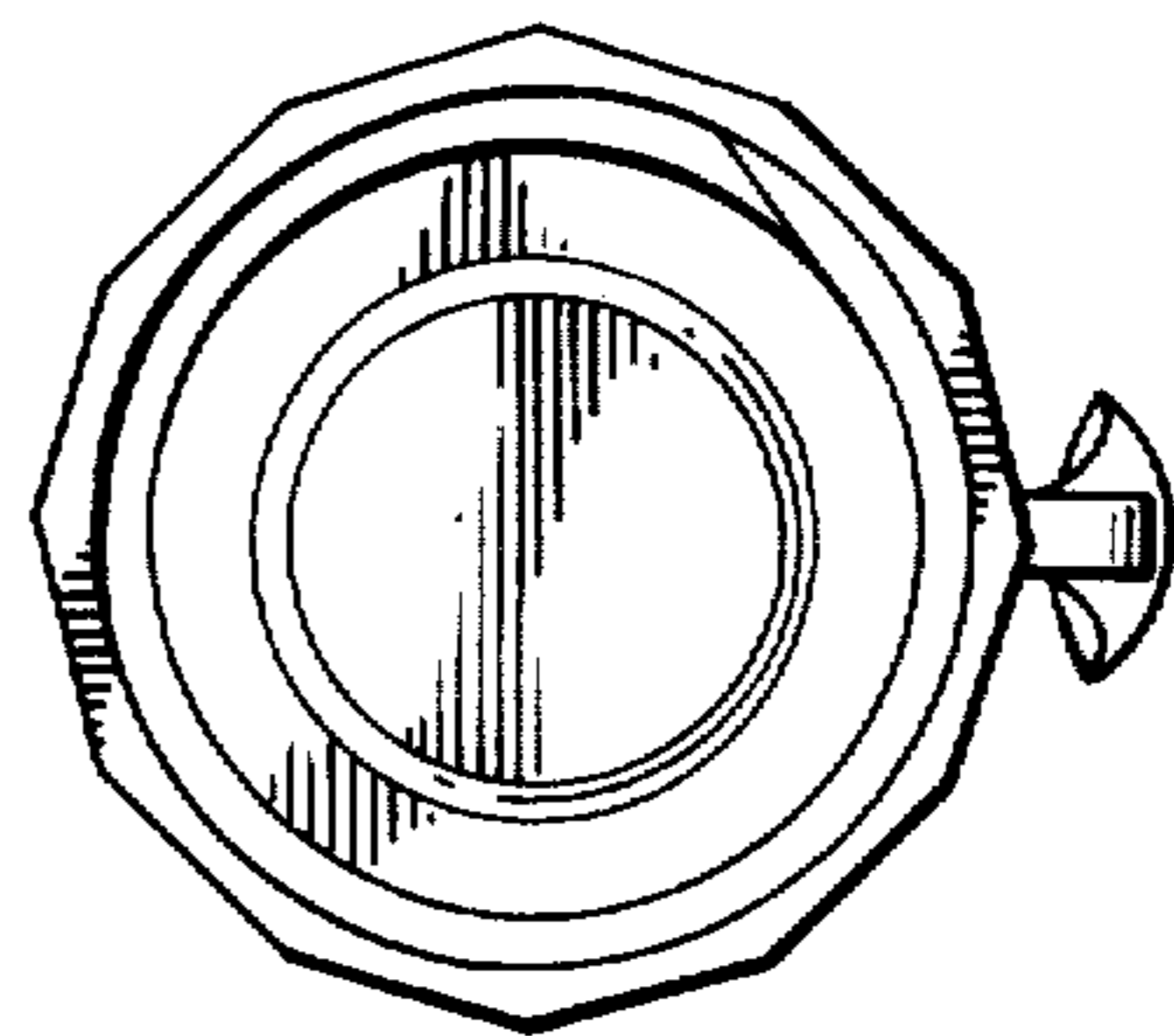


FIGURE 4