

[54] CARTON HOLDER

2,670,616 3/1954 Schneider ..... D7/70 X  
2,928,570 3/1960 Fitch ..... D7/70 X

[75] Inventor: Donald A. McLean, Vancouver, Canada

[73] Assignee: Sun-Rype Products Ltd., Kelowna, Canada

[\*\*] Term: 14 Years

[21] Appl. No.: 246,683

[22] Filed: Mar. 23, 1981

[30] Foreign Application Priority Data

Mar. 10, 1981 [CA] Canada ..... 10-03-81-6

[51] Int. Cl. .... D07-06

[52] U.S. Cl. .... D7/70

[58] Field of Search ..... D7/70, 9; 248/145.6; 220/85 H; 294/27.1, 32

[56] References Cited

U.S. PATENT DOCUMENTS

- D. 39,545 9/1908 Gale ..... D7/70
- D. 215,328 9/1969 Fera ..... D7/70
- D. 219,163 11/1970 Welsh ..... D7/70

OTHER PUBLICATIONS

*Tableware*, Sep. 1963, p. 654, Panel #56, Holder for Beaker.

*Family Circle Magazine*, Feb. 1958, p. 21, Carton Holder shown.

Primary Examiner—Winifred E. Herrmann

Attorney, Agent, or Firm—Fetherstonhaugh & Co.

[57] CLAIM

The ornamental design for a carton holder, as shown and described.

DESCRIPTION

FIG. 1 is a top perspective view of a carton holder showing my new design;  
 FIG. 2 is a side elevational view thereof;  
 FIG. 3 is a front elevational view thereof;  
 FIG. 4 is a rear elevational view thereof;  
 FIG. 5 is a side elevational view opposite that shown in FIG. 2;  
 FIG. 6 is a top plan view thereof; and  
 FIG. 7 is a bottom plan view thereof.

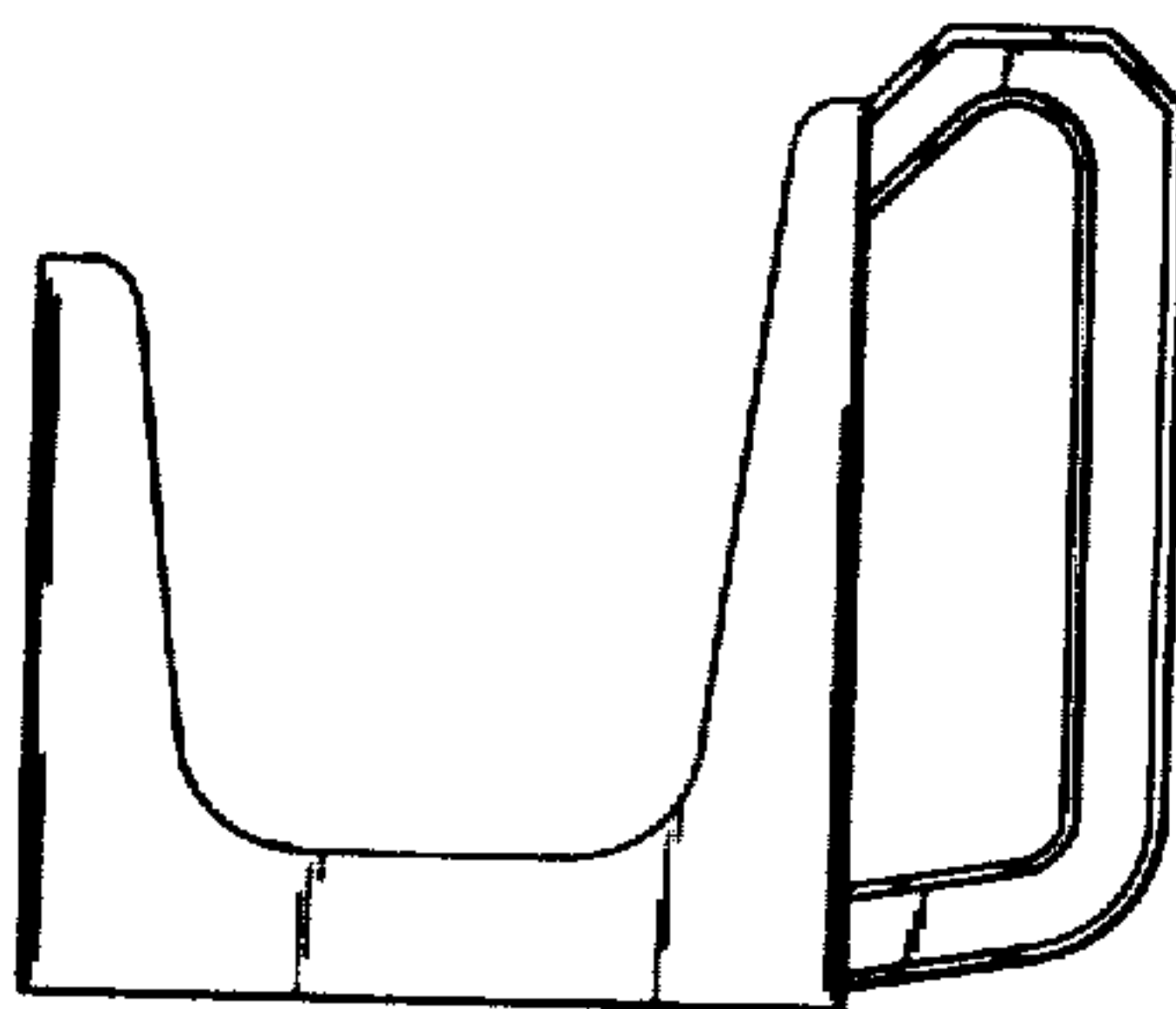
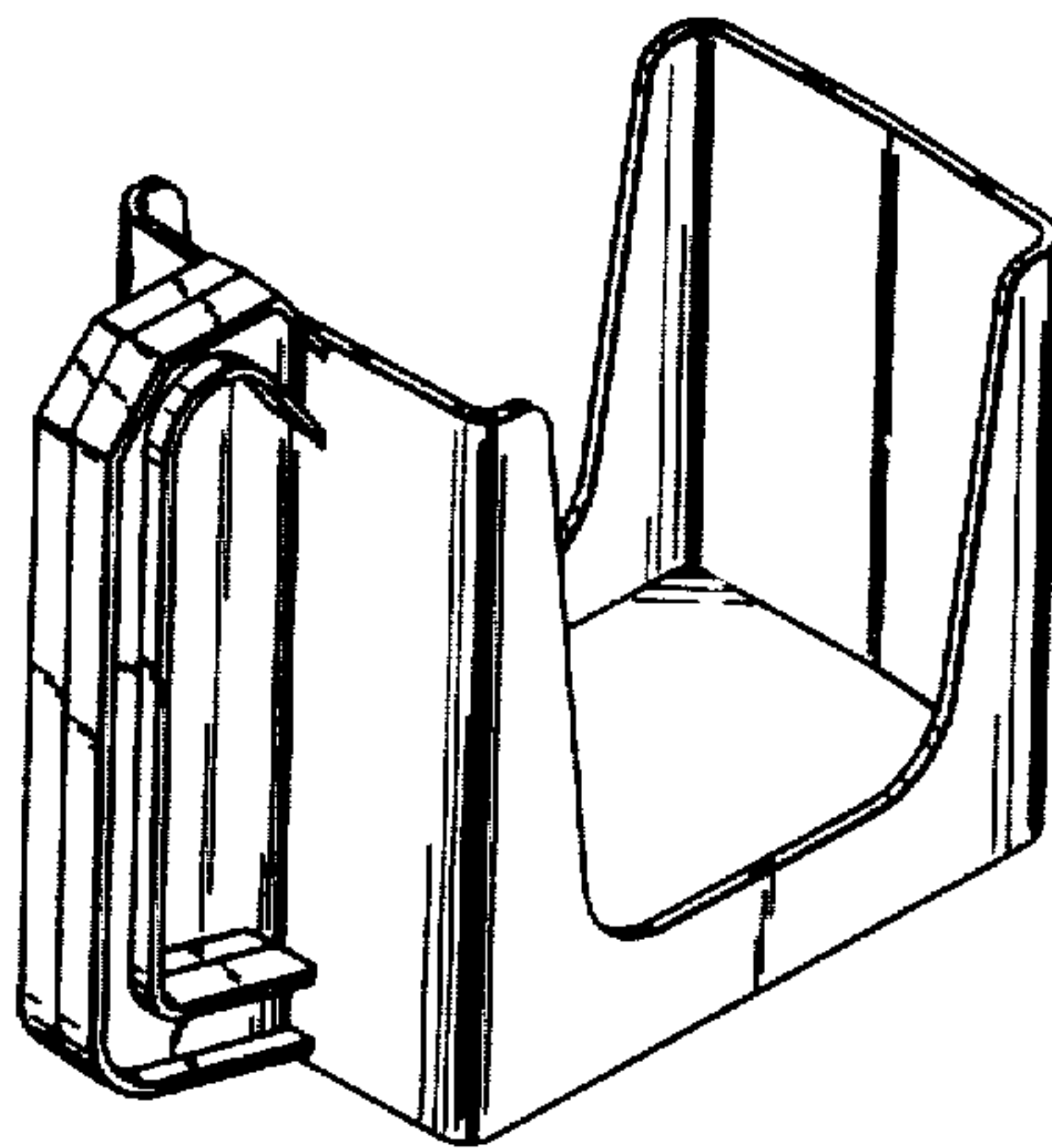


Fig. 1.

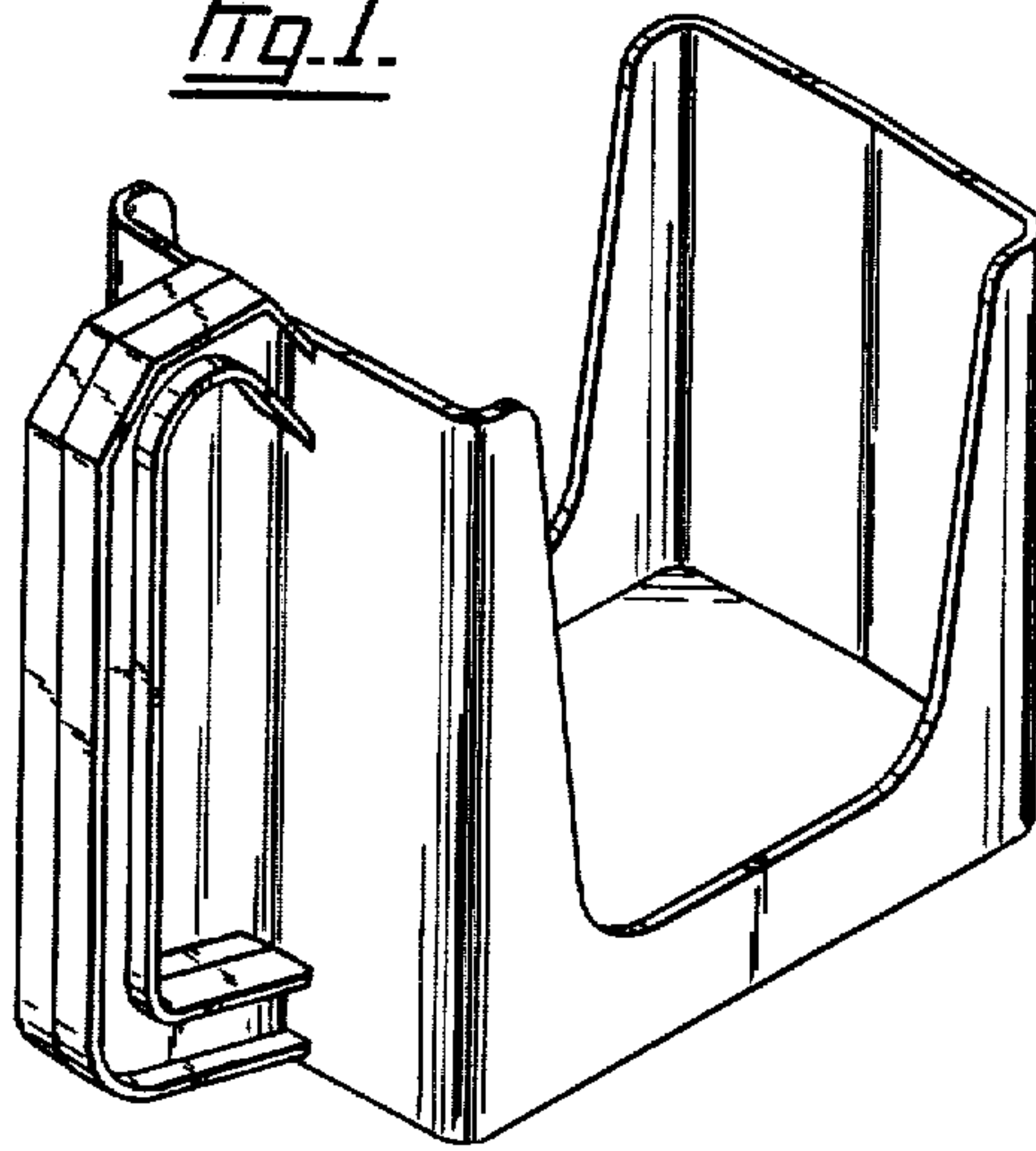


Fig. 3.

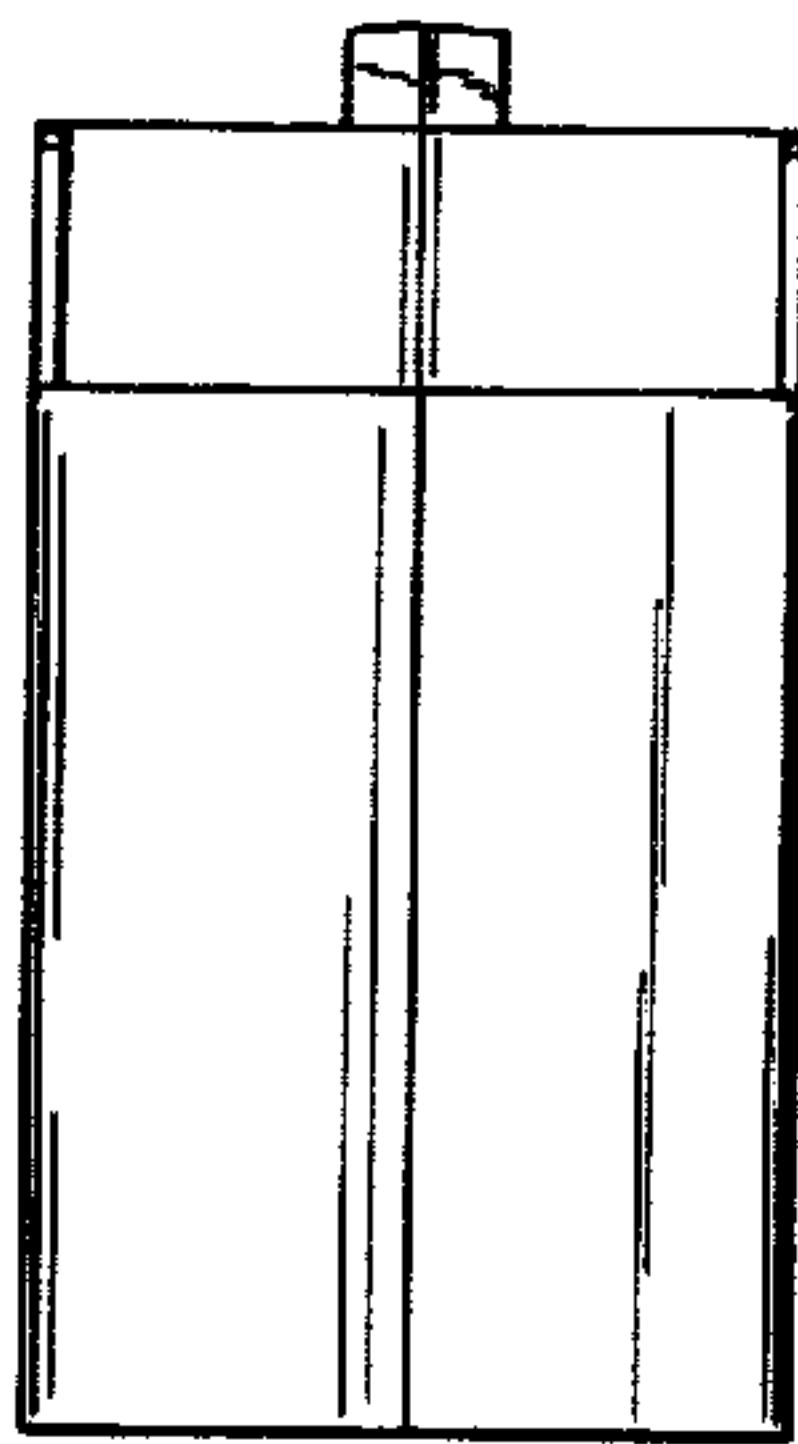


Fig. 2.

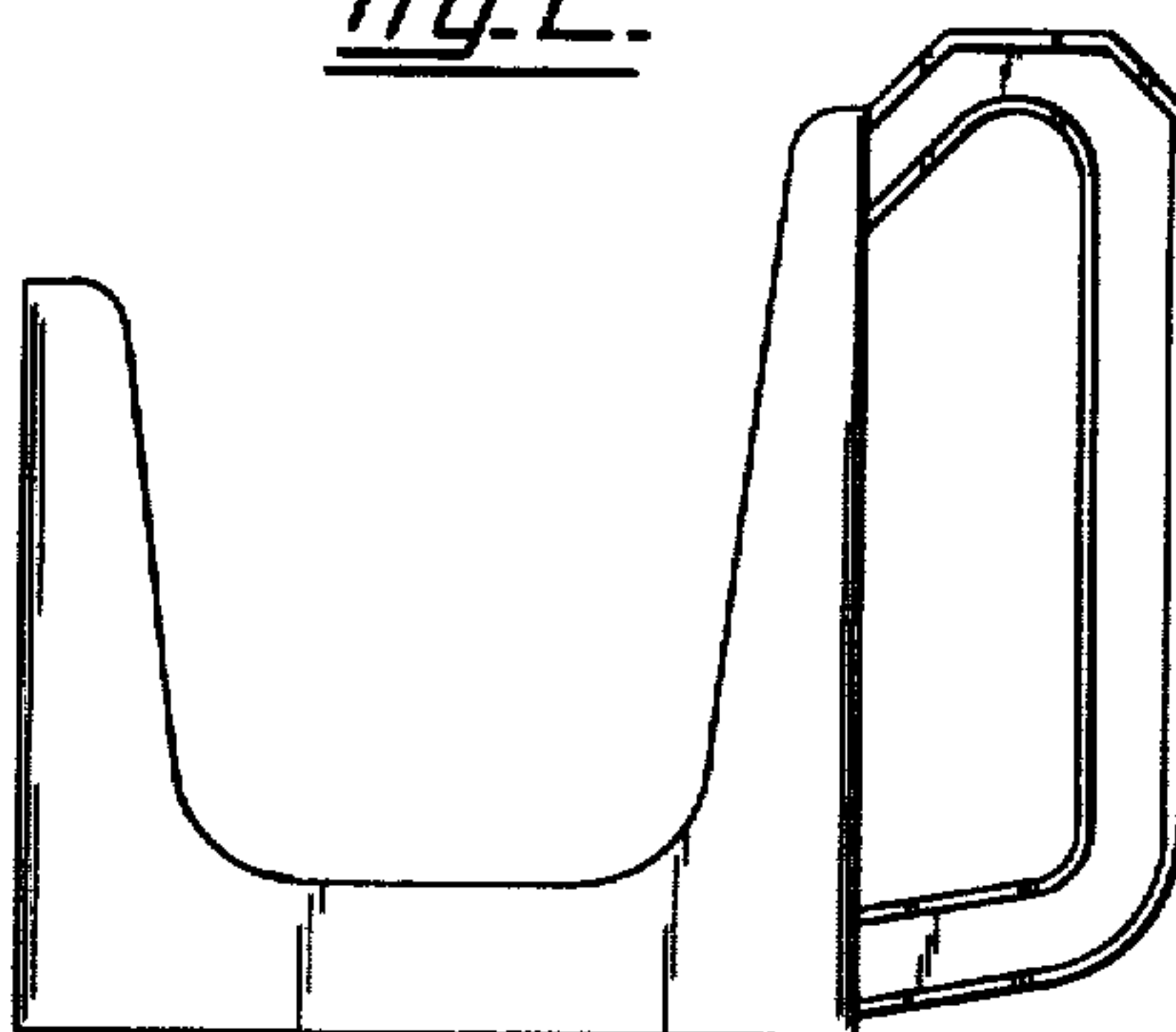


Fig. 4.

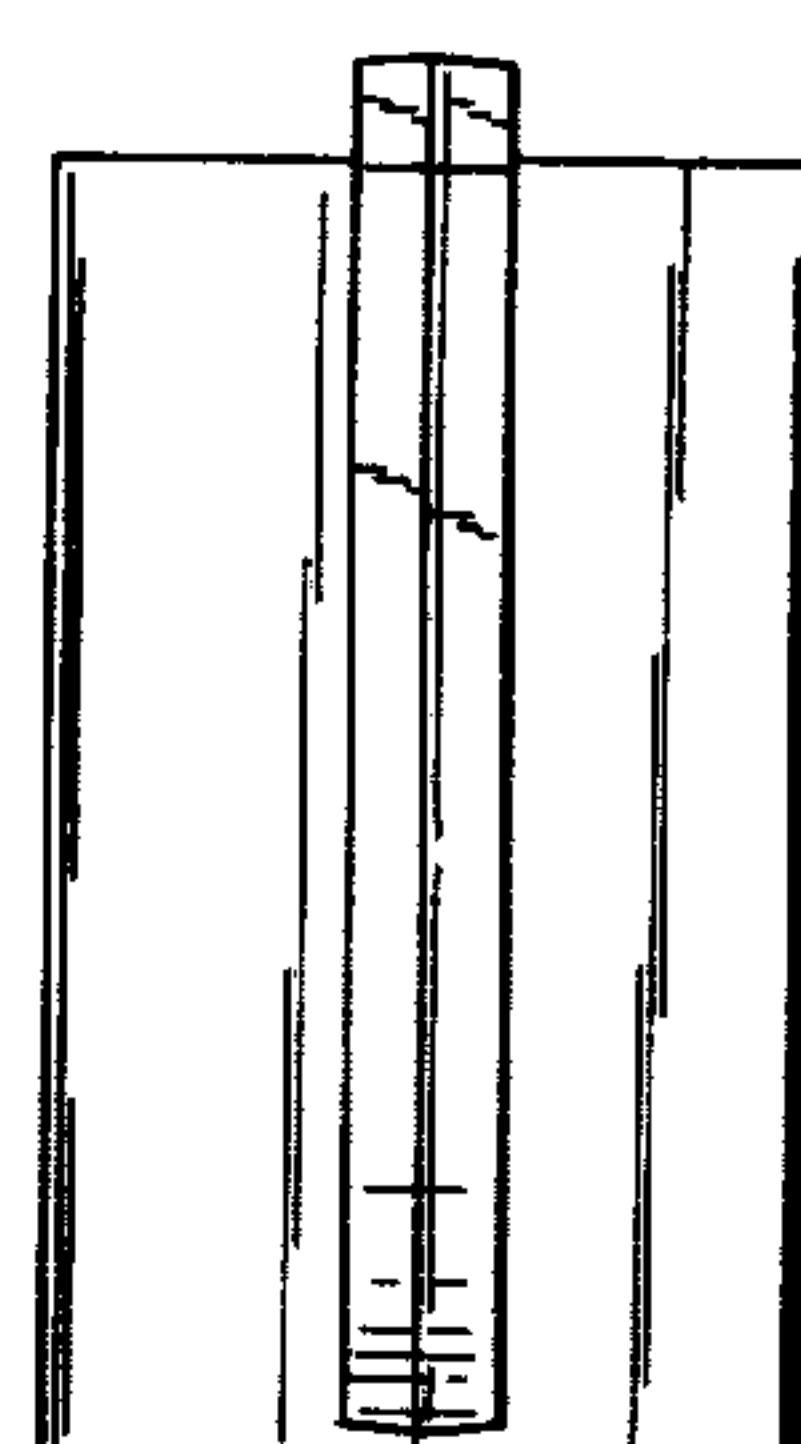


Fig. 6.

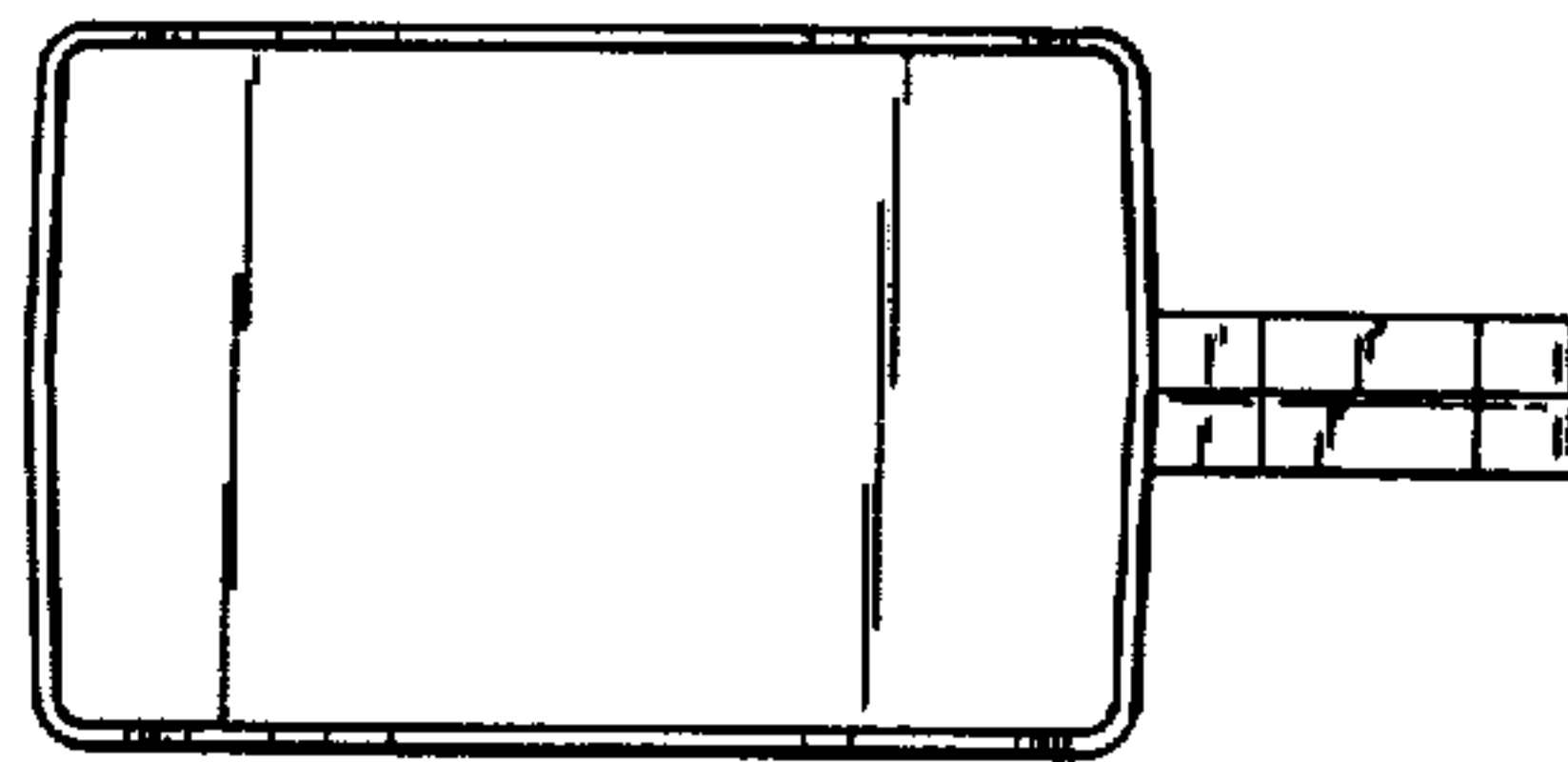


Fig. 5.

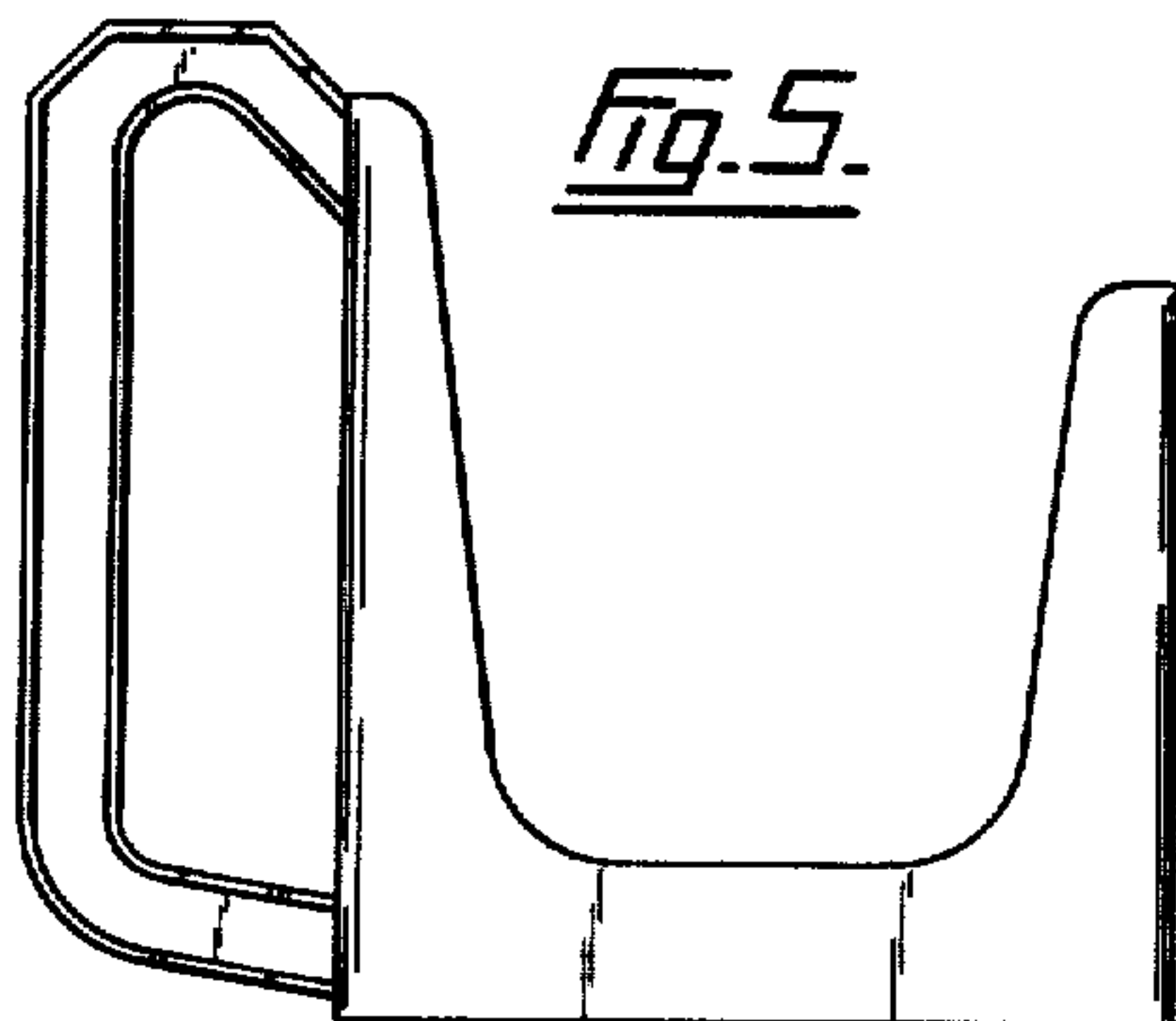


Fig. 7.

