

[54] TILT BASE SUPPORT FOR CRT TERMINAL OR THE LIKE

D. 253,594 12/1979 Antenbring ..... D14/113  
2,713,471 7/1955 Hirsch ..... 248/346

[75] Inventor: Leonard G. Whitford, Wakefield, Mass.

Primary Examiner—Susan J. Lucas  
Attorney, Agent, or Firm—Faith F. Driscoll; Nicholas Prasinis

[73] Assignee: Honeywell Information Systems Inc., Waltham, Mass.

[57] CLAIM

[\*\*] Term: 14 Years

The ornamental design for a tilt base support for CRT terminal or the like, substantially as shown and described.

[21] Appl. No.: 278,286

[22] Filed: Jun. 29, 1981

DESCRIPTION

[51] Int. Cl. .... D6—06; D14—02

[52] U.S. Cl. .... D6/194; D14/113

[58] Field of Search ..... D14/100, 116; D6/194; 340/700, 711, 712, 720; 248/188.1, 346, 441.1

FIG. 1 is a front perspective view of a tilt base support for CRT terminal or the like showing my new design, the terminal being shown in broken lines for illustrative purposes only;

FIG. 2 is a perspective view thereof on an enlarged scale;

FIG. 3 is a top plan view thereof on an enlarged scale;

FIG. 4 is a front view thereof on an enlarged scale;

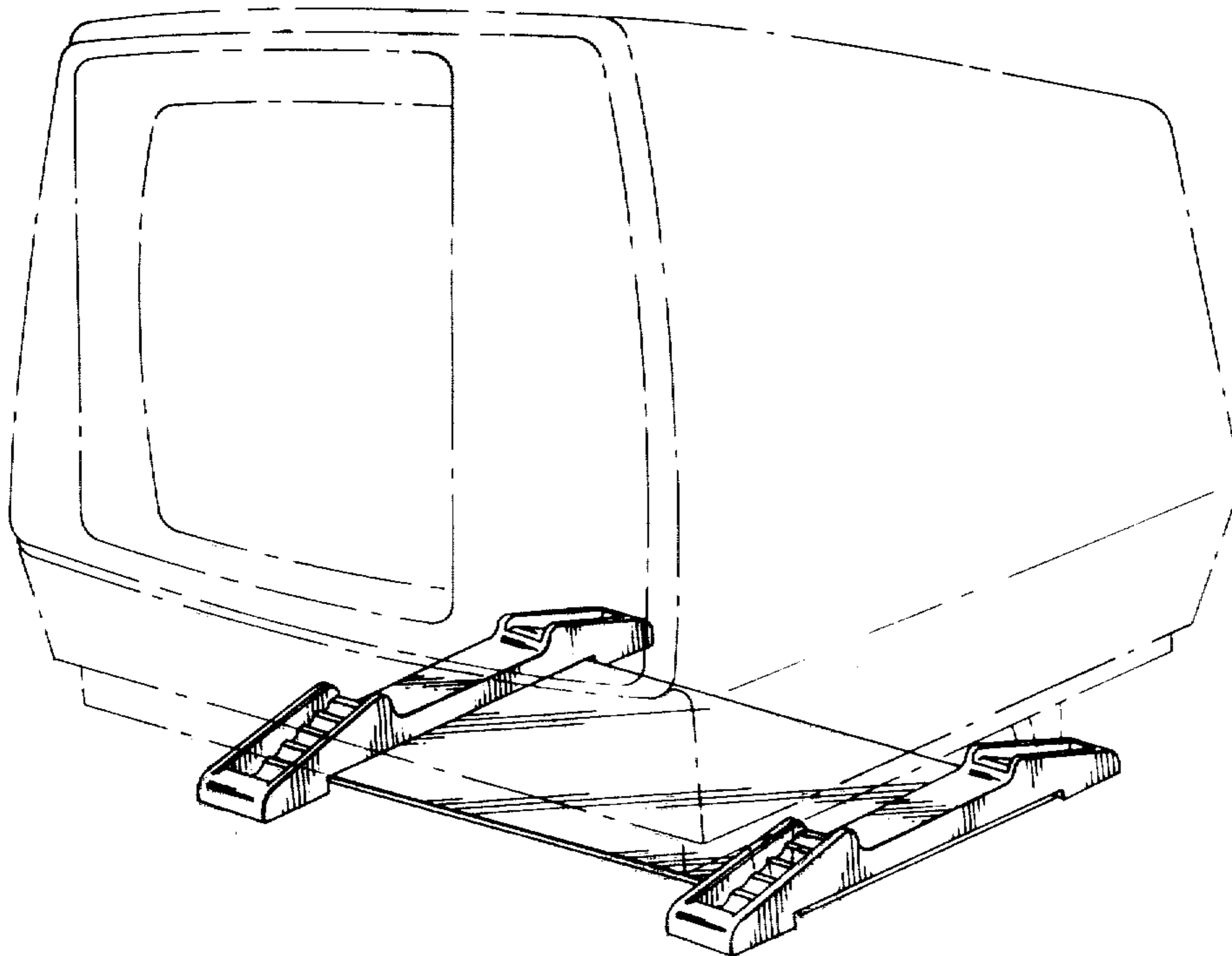
FIG. 5 is a rear view thereof on an enlarged scale;

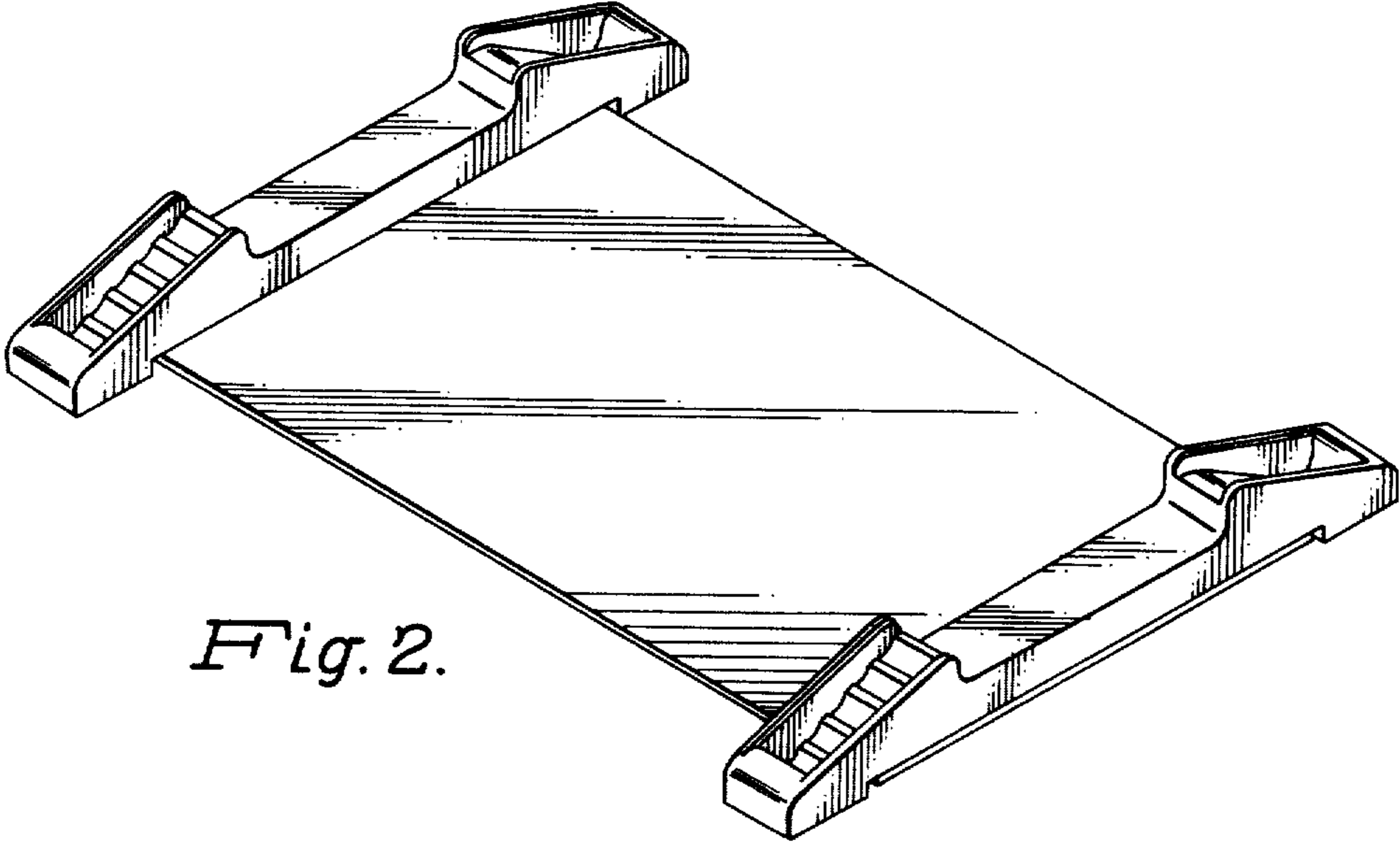
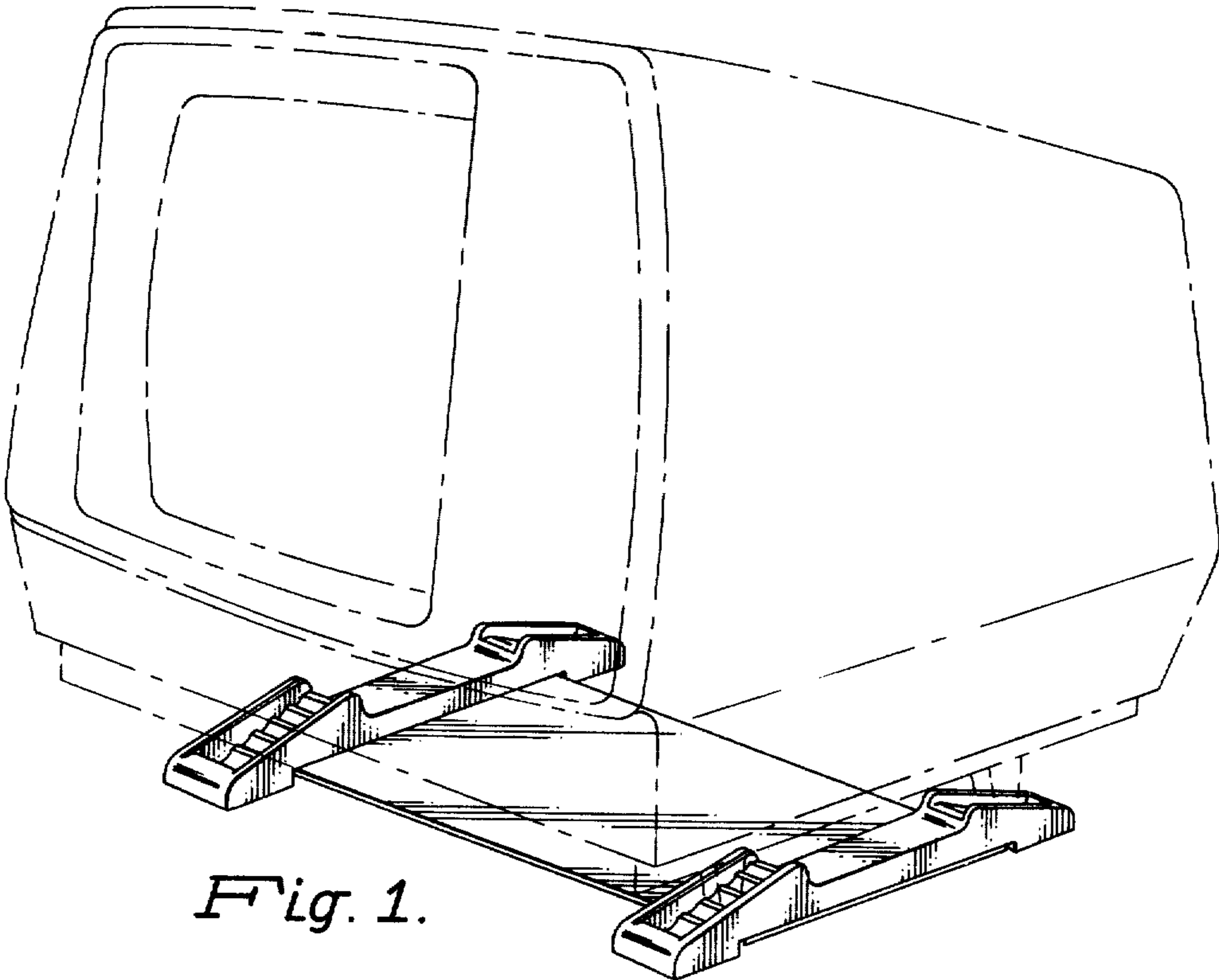
FIG. 6 is a side view thereof on an enlarged scale.

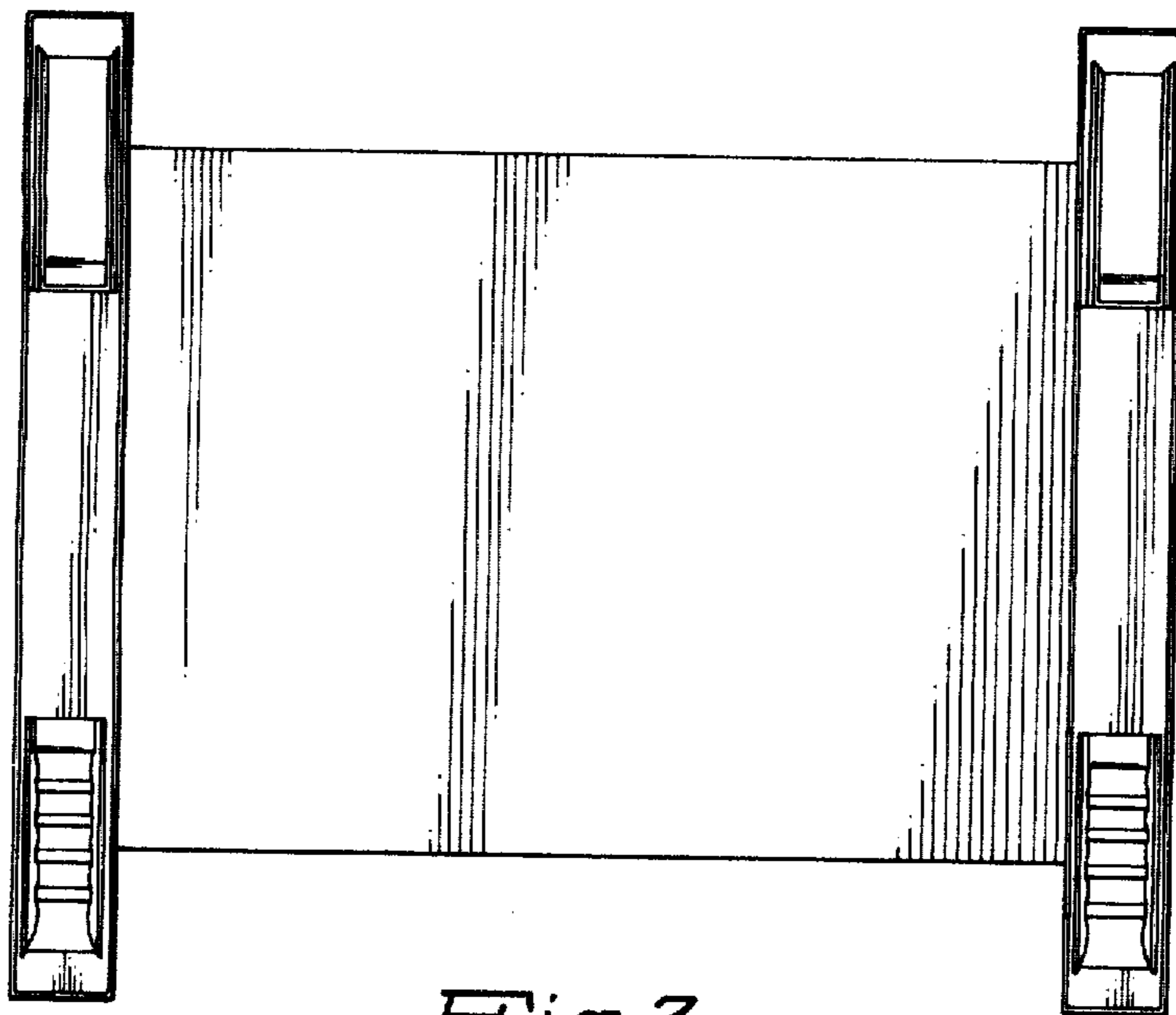
[56] References Cited

U.S. PATENT DOCUMENTS

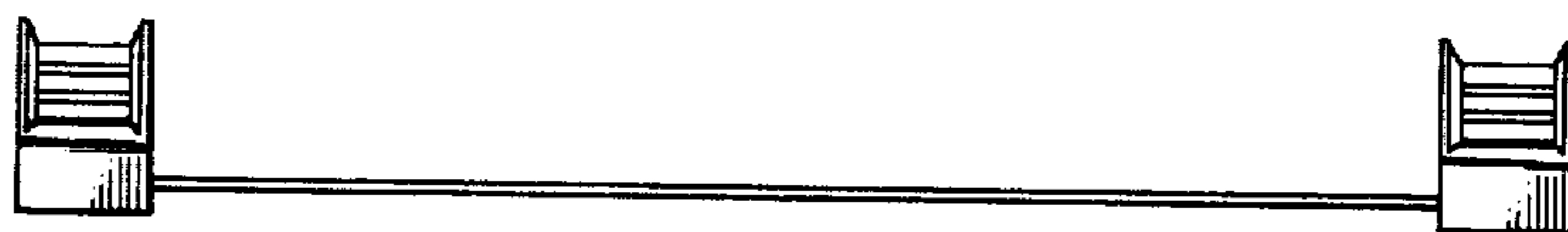
- D. 210,566 3/1968 Jay ..... D6/194
- D. 235,655 7/1975 Clement et al. .... D14/113
- D. 239,996 5/1976 Hampel et al. .... D6/194



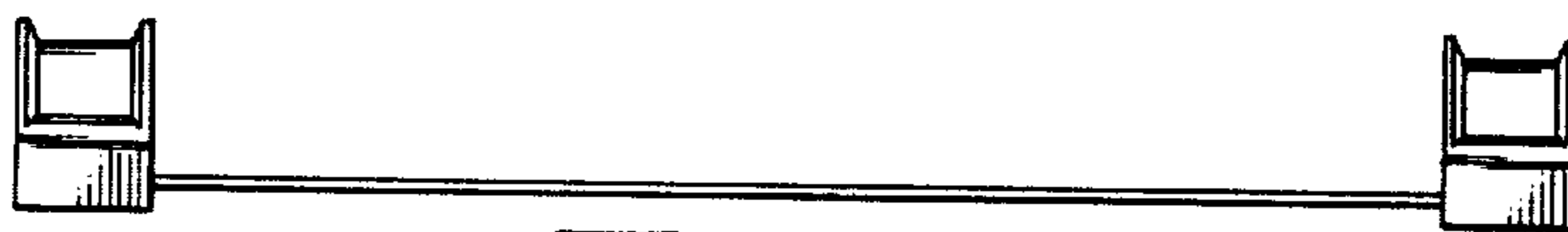




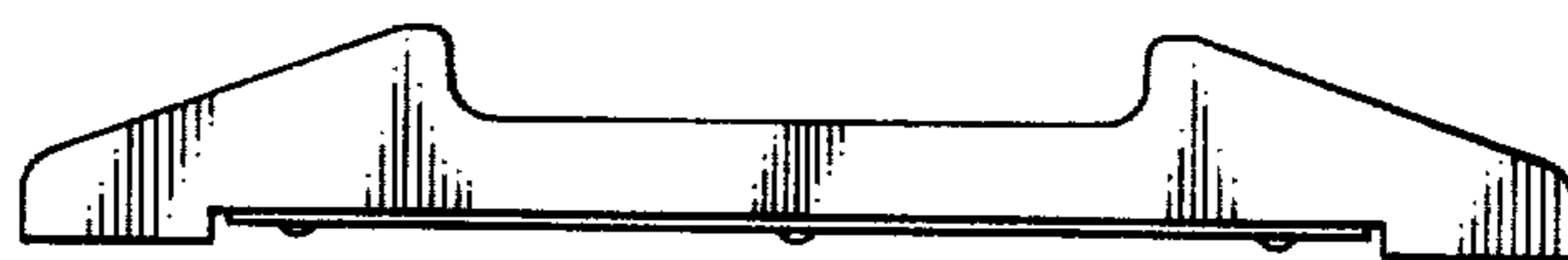
*Fig. 3.*



*Fig. 4.*



*Fig. 5.*



*Fig. 6.*