

[54] **BEDPAN**
[75] **Inventor:** Elizabeth B. Knight, Winchester, Va.
[73] **Assignee:** Rubbermaid Commercial Products Inc., Winchester, Va.
[**] **Term:** 14 Years
[21] **Appl. No.:** 250,185
[22] **Filed:** Apr. 2, 1981
[51] **Int. Cl.** D24-04
[52] **U.S. Cl.** D24/57
[58] **Field of Search** 4/444, 450, 237, 456, 4/457, 239; D24/57, 99

3,992,729 11/1976 Mills 4/450
4,189,794 2/1980 Aleman-Mucino 4/237
4,244,063 1/1981 Bayard 4/237

Primary Examiner—Bernard Ansher
Attorney, Agent, or Firm—Hamilton, Renner & Kenner

[57] **CLAIM**

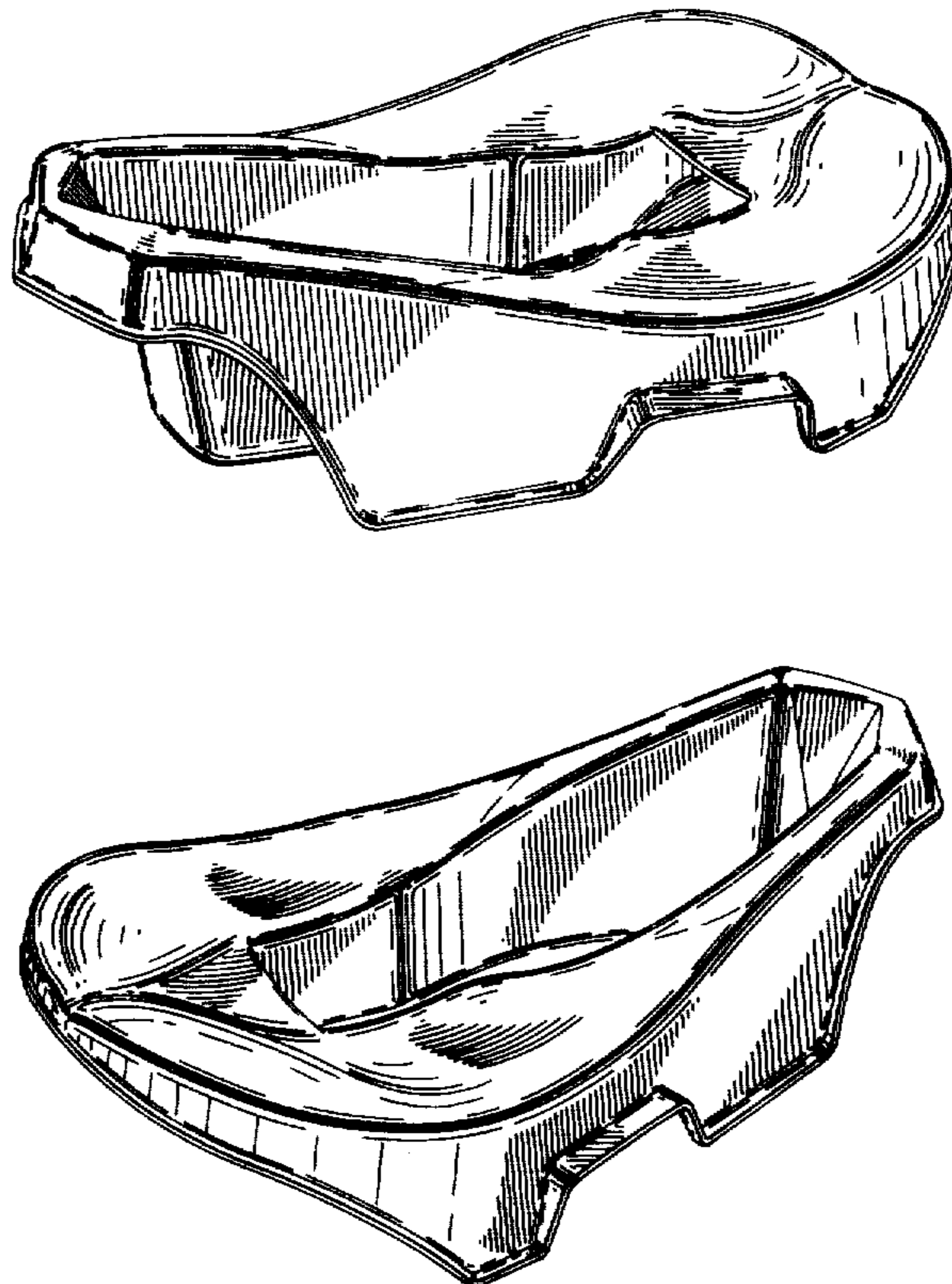
The ornamental design for a bedpan, as shown and described.

DESCRIPTION

FIG. 1 is a front perspective view of a bedpan embodying my new design;
FIG. 2 is a rear perspective view thereof;
FIG. 3 is a top plan view;
FIG. 4 is a front elevation;
FIG. 5 is a rear elevation;
FIG. 6 is a side elevation;
FIG. 7 is a bottom plan view;
FIG. 8 is a longitudinal sectional view on line 8—8 of FIG. 3; and
FIG. 9 is a cross-sectional view on line 9—9 of FIG. 3; The side opposite to that shown in FIG. 6 is a mirror image thereof.

[56] **References Cited**
U.S. PATENT DOCUMENTS

D. 215,191 9/1969 Spence D24/57 X
D. 246,055 10/1977 Mills et al. D24/57
D. 249,162 8/1978 Mills D24/57
2,977,603 4/1961 Dykes 4/450
3,597,771 8/1971 Rickmeier 4/450
3,942,196 3/1976 Mills 4/457



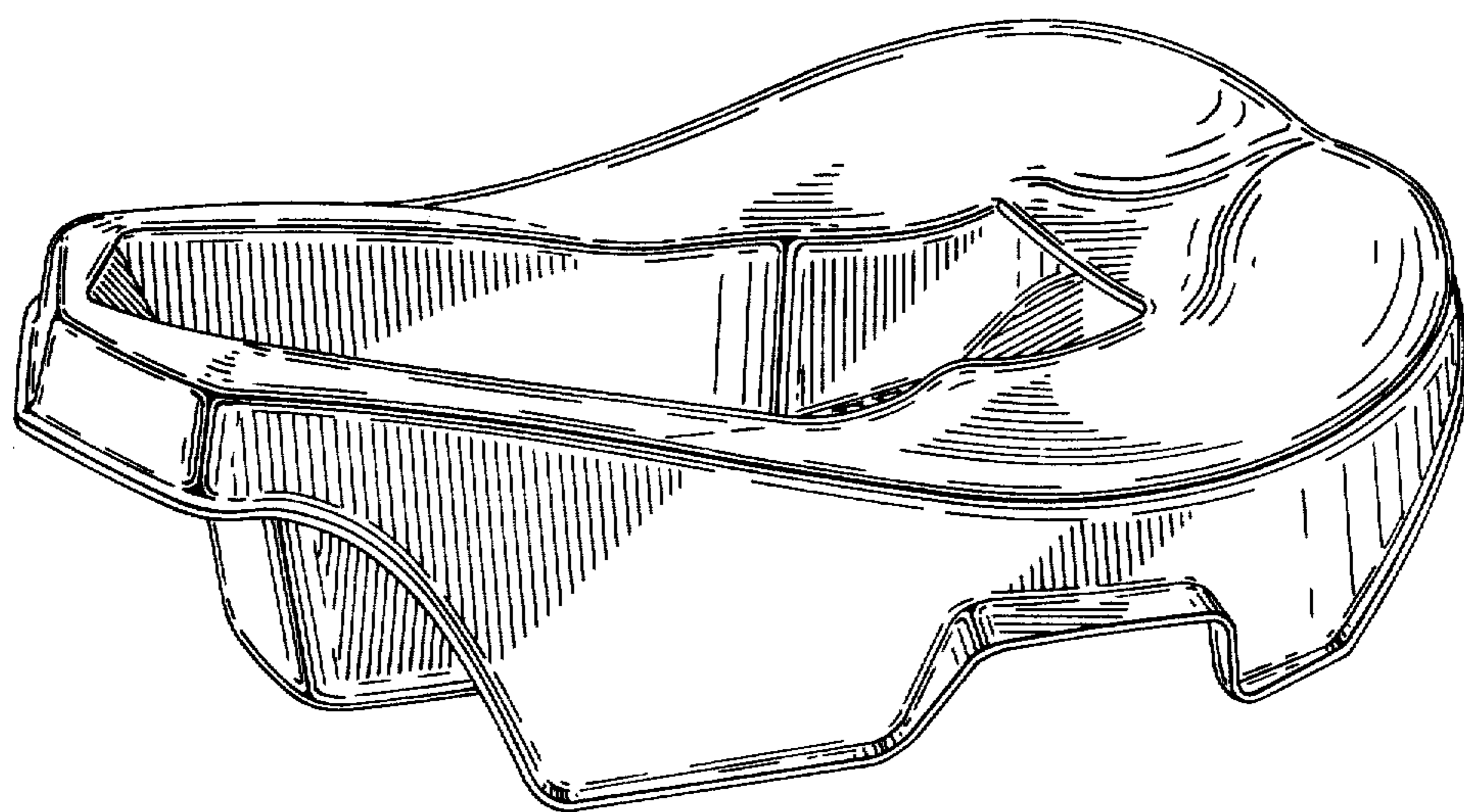


FIG. 1

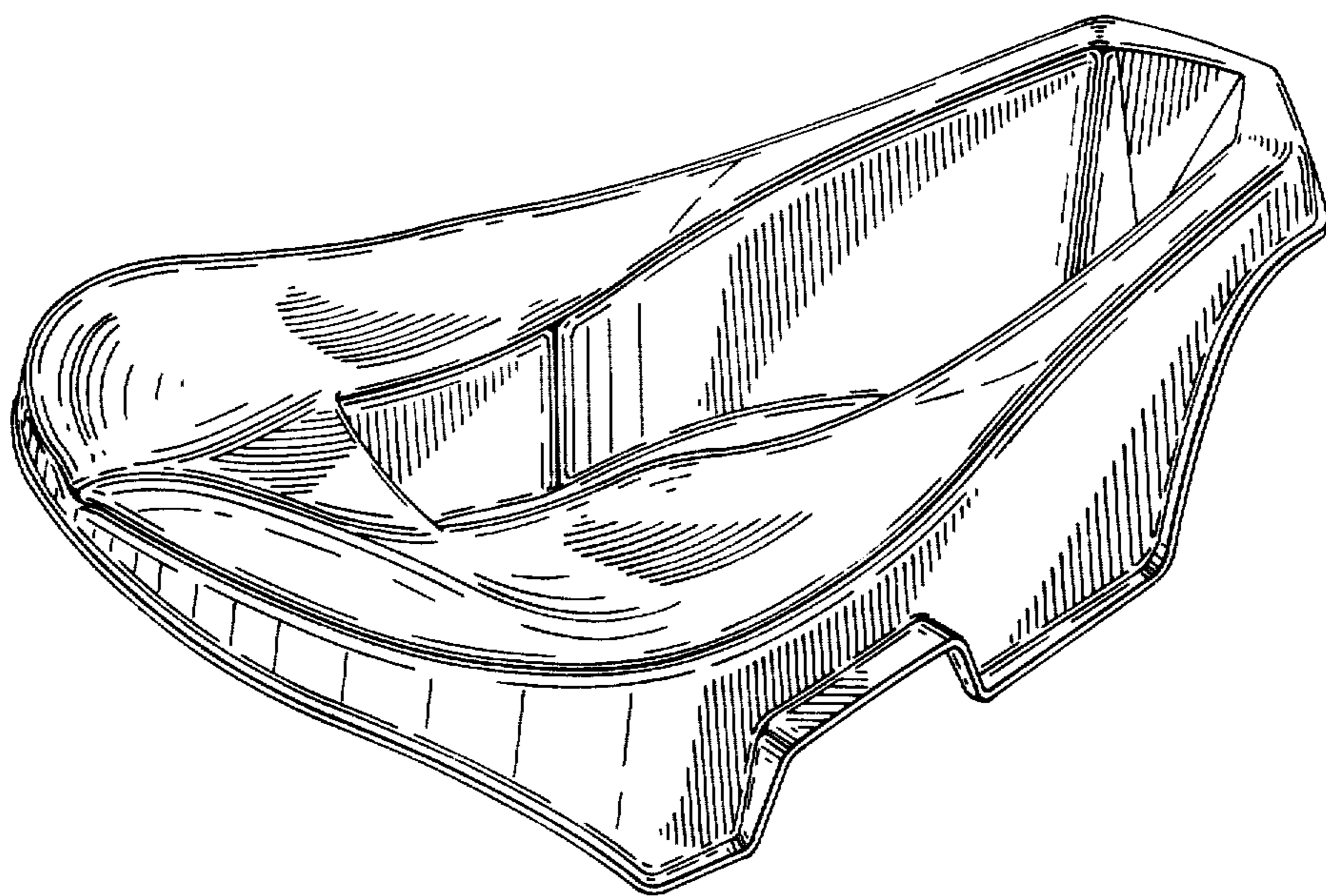


FIG. 2

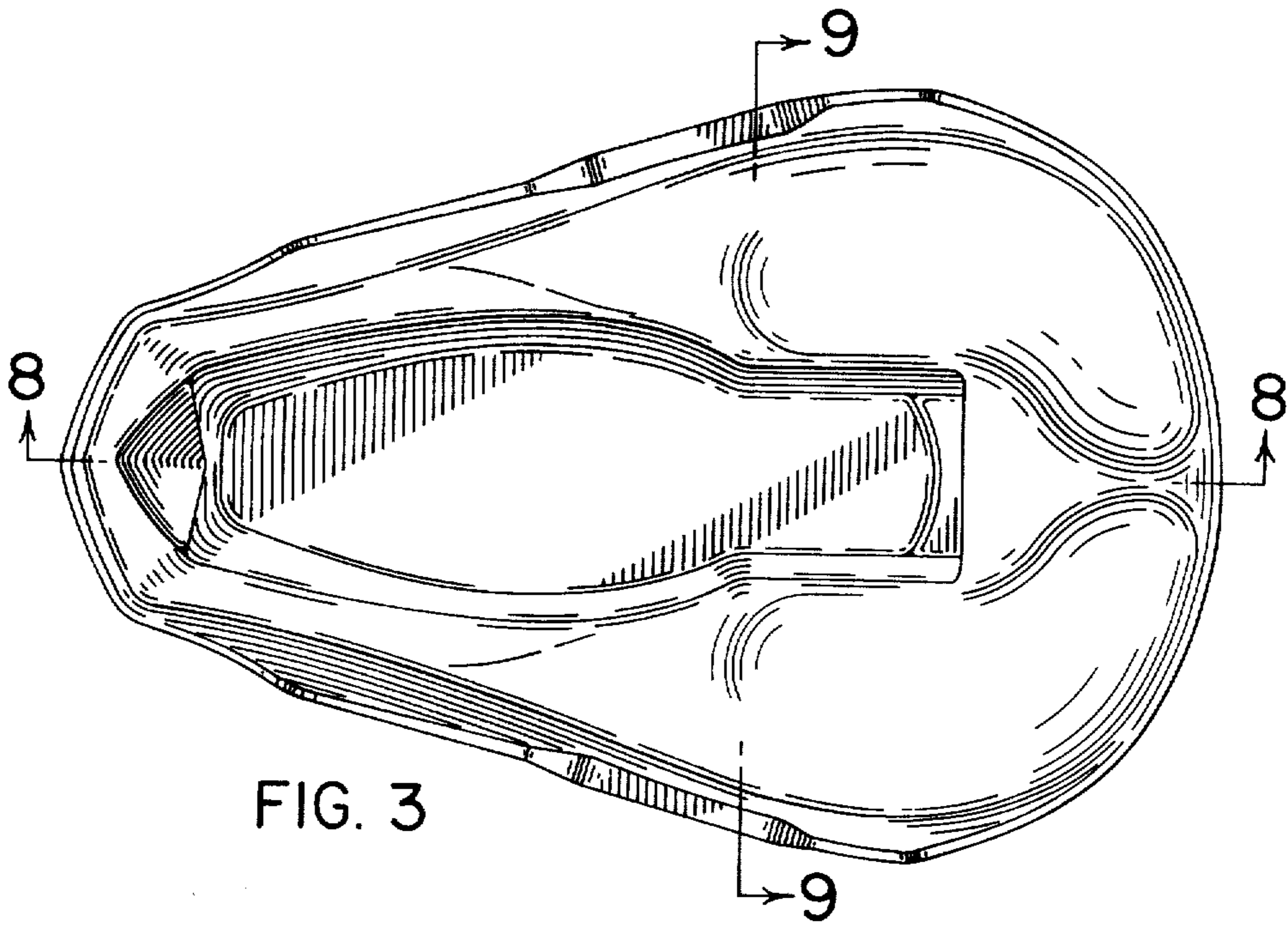


FIG. 3

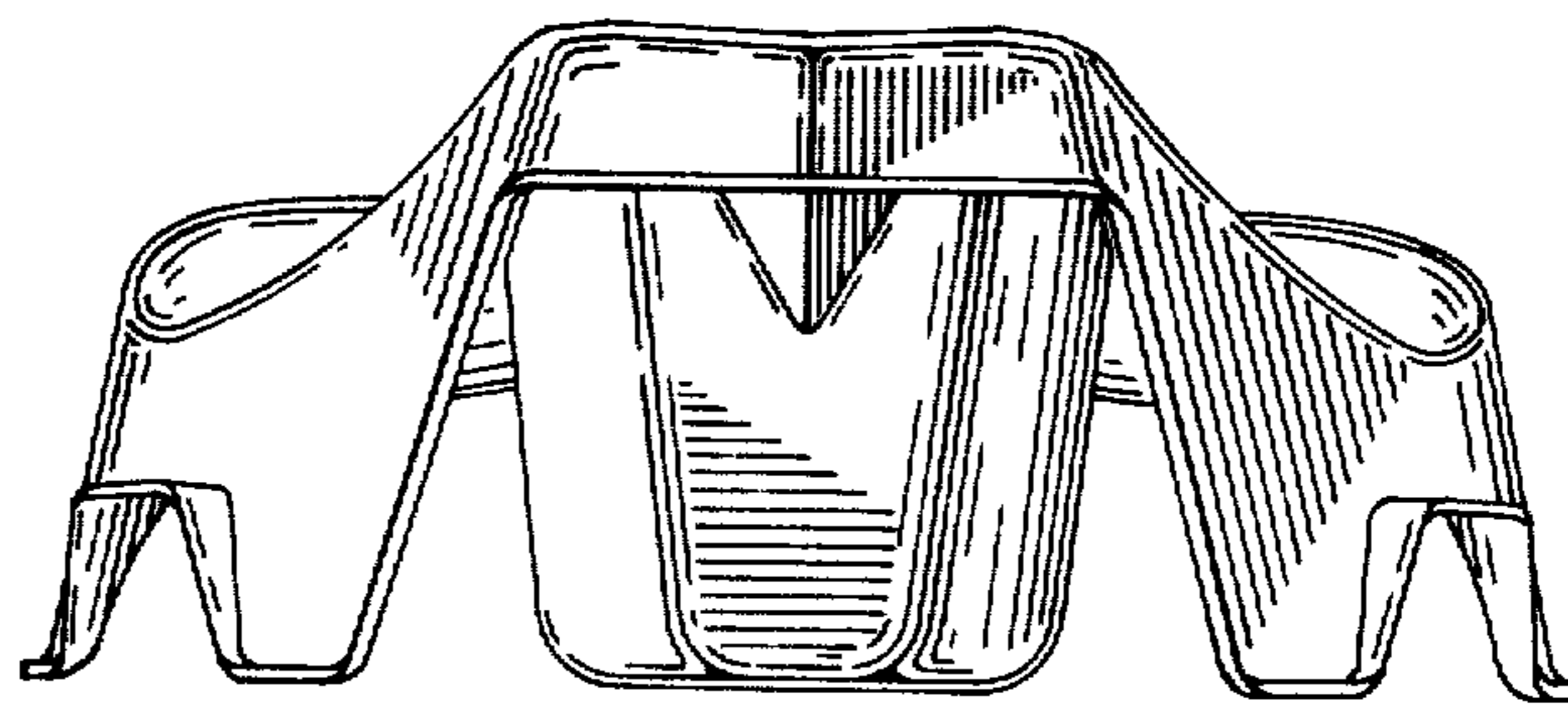


FIG. 4

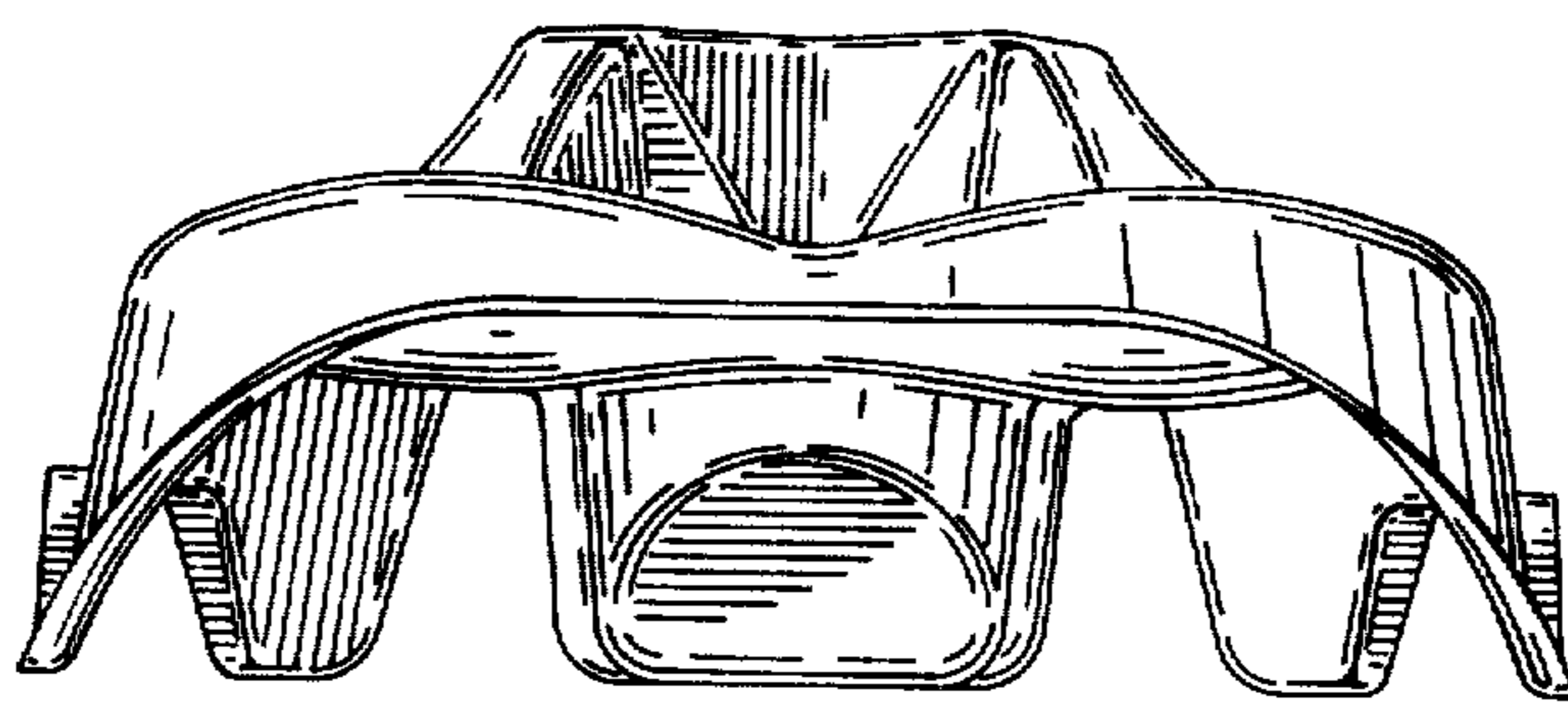


FIG. 5

FIG. 6

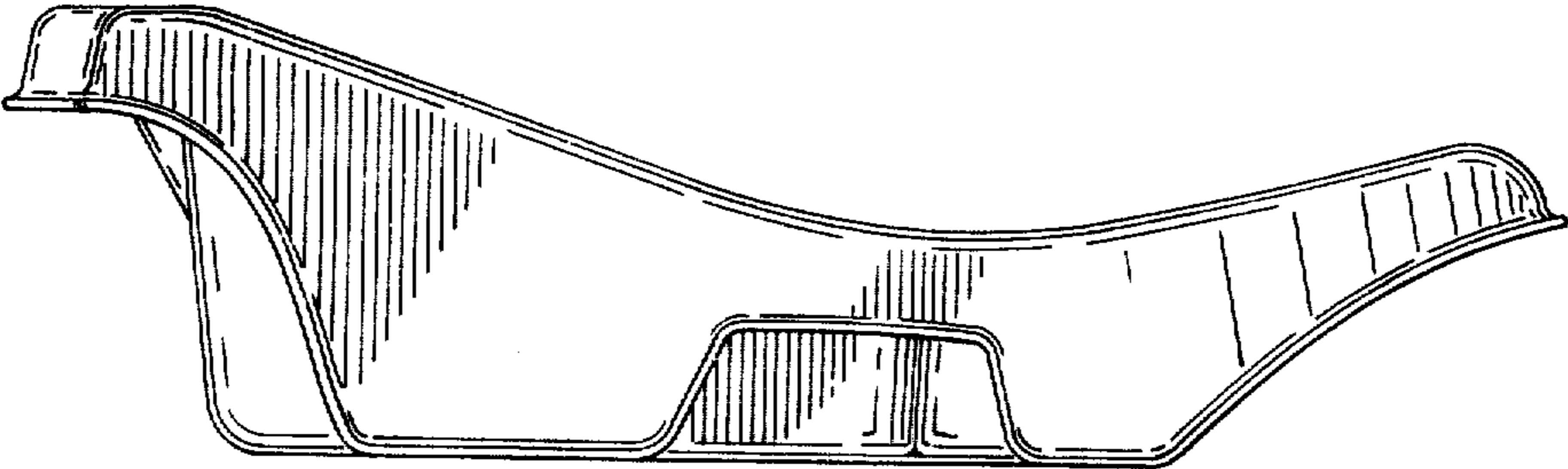
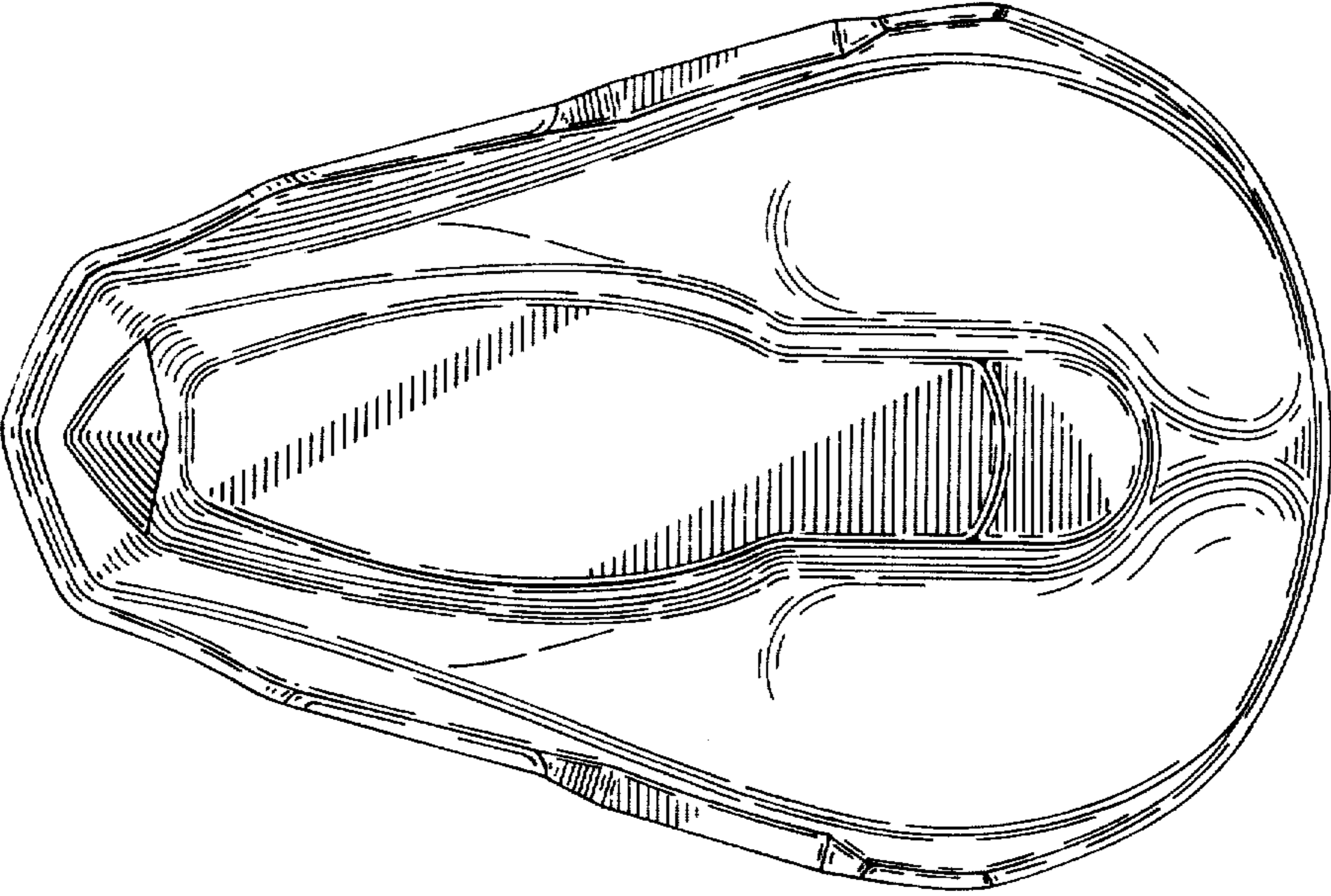


FIG. 7



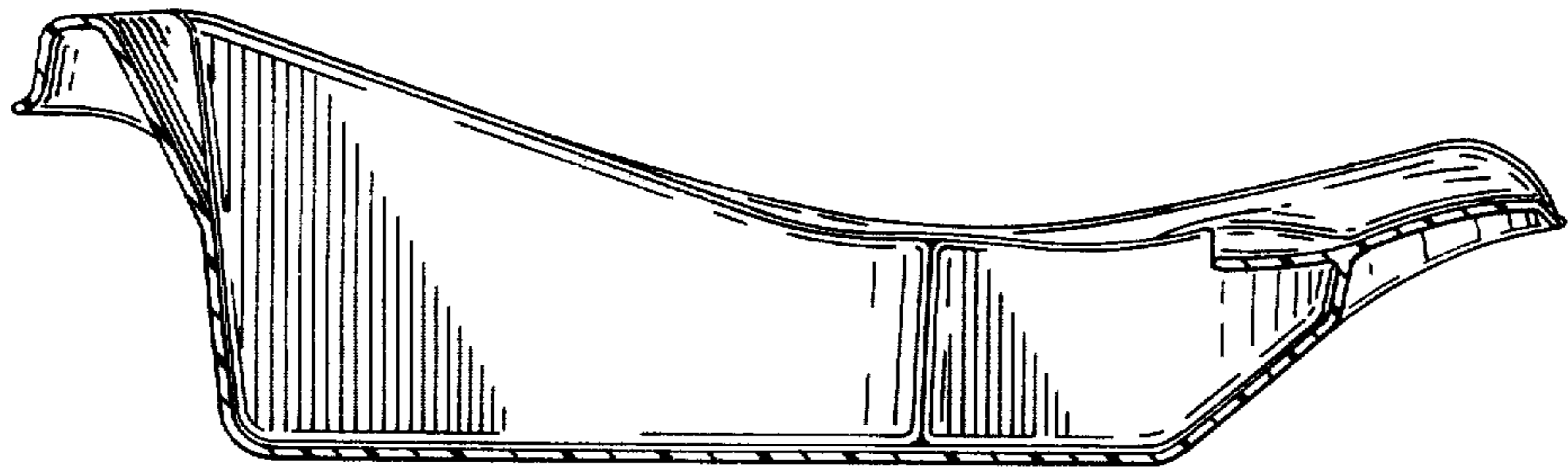


FIG. 8

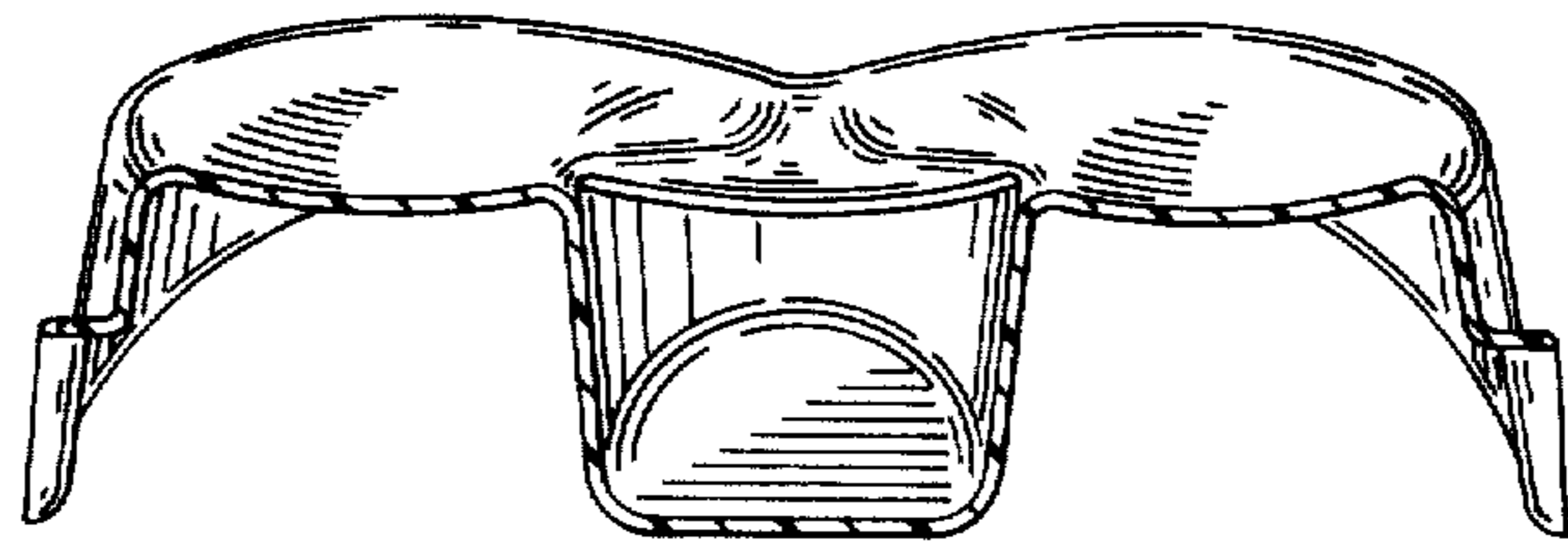


FIG. 9