

- [54] **VERGE MEMBER FOR A TILED ROOF**
- [75] **Inventor:** Geoffrey C. Quinnell, Pembury, England
- [73] **Assignee:** Marley Tile A.G., Zug, Switzerland
- [**] **Term:** 14 Years
- [21] **Appl. No.:** 224,498
- [22] **Filed:** Jan. 13, 1981
- [30] **Foreign Application Priority Data**
 - Jul. 23, 1980 [GB] United Kingdom 995856
- [51] **Int. Cl.** **D25—01**
- [52] **U.S. Cl.** **D25/60; D25/56; D25/61; D25/73**
- [58] **Field of Search** 52/94, 95, 96, 58, 60, 52/61, 62, 206, 518, 547, 553; D25/55, 56, 60, 61, 73, 74, 80

- [56] **References Cited**
 - U.S. PATENT DOCUMENTS**
 - 4,233,786 11/1980 Hildreth 52/94

OTHER PUBLICATIONS

German Patent Application OLS 2846275, published May 3, 1979.

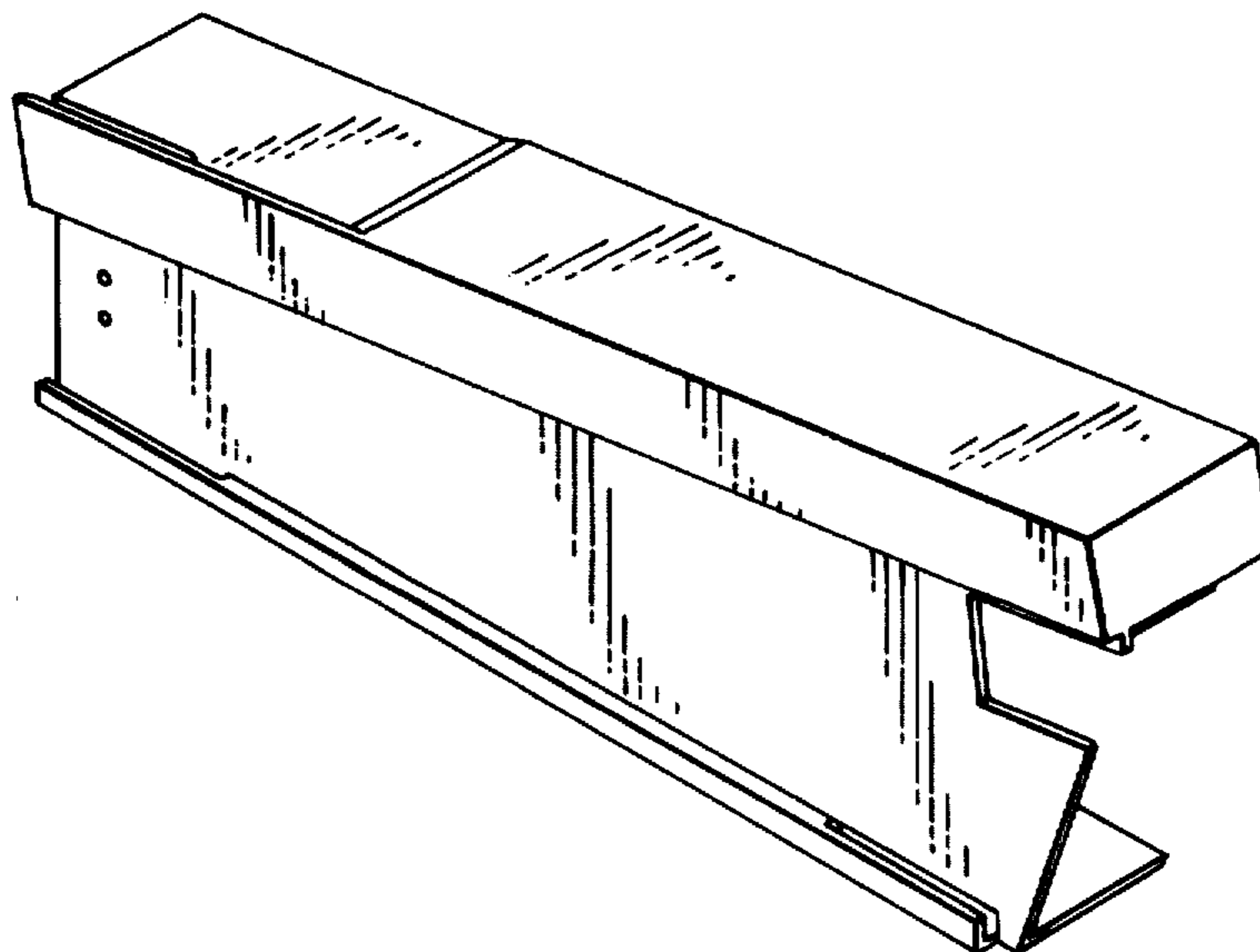
Primary Examiner—A. Hugo Word
Attorney, Agent, or Firm—Bacon & Thomas

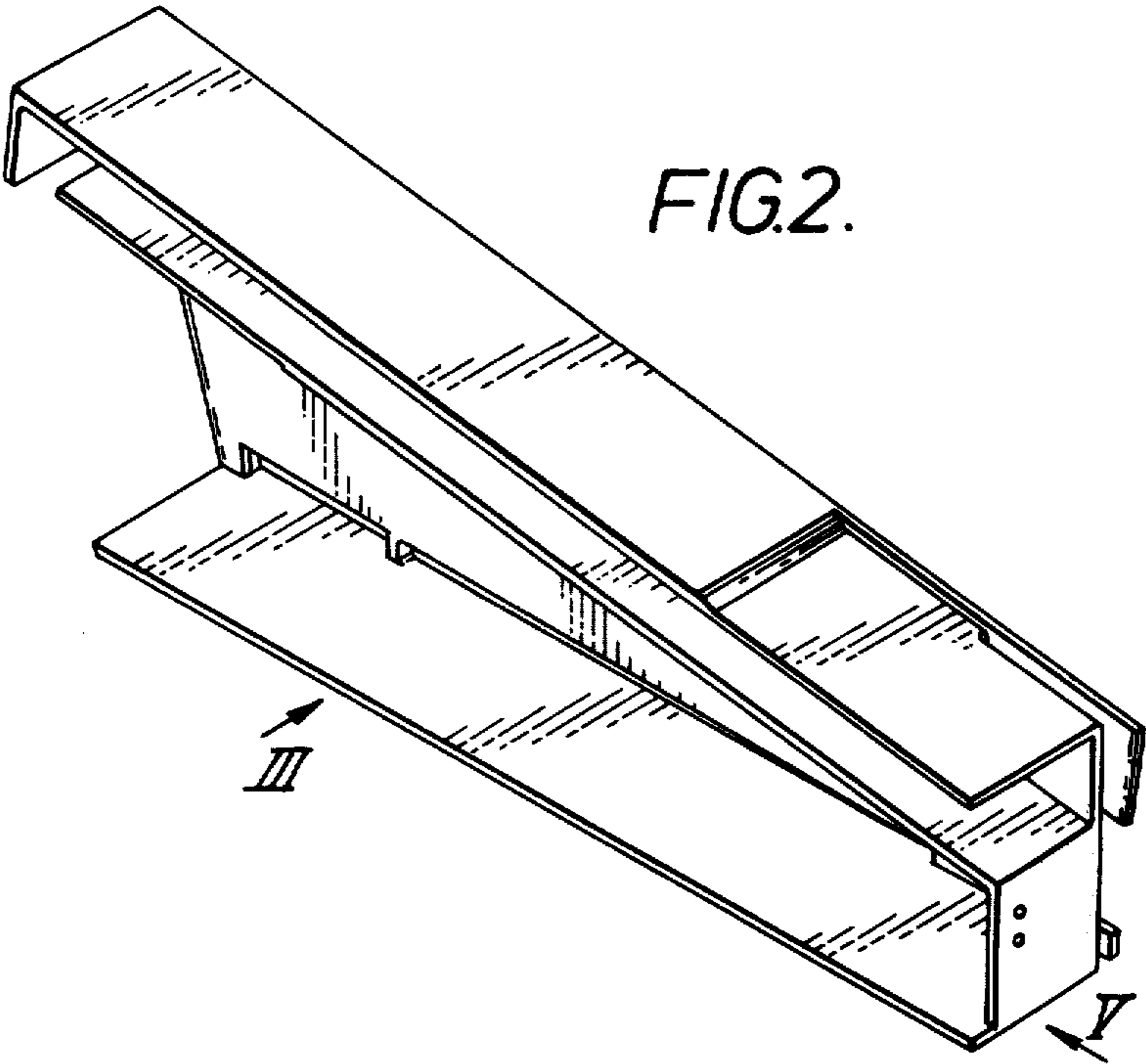
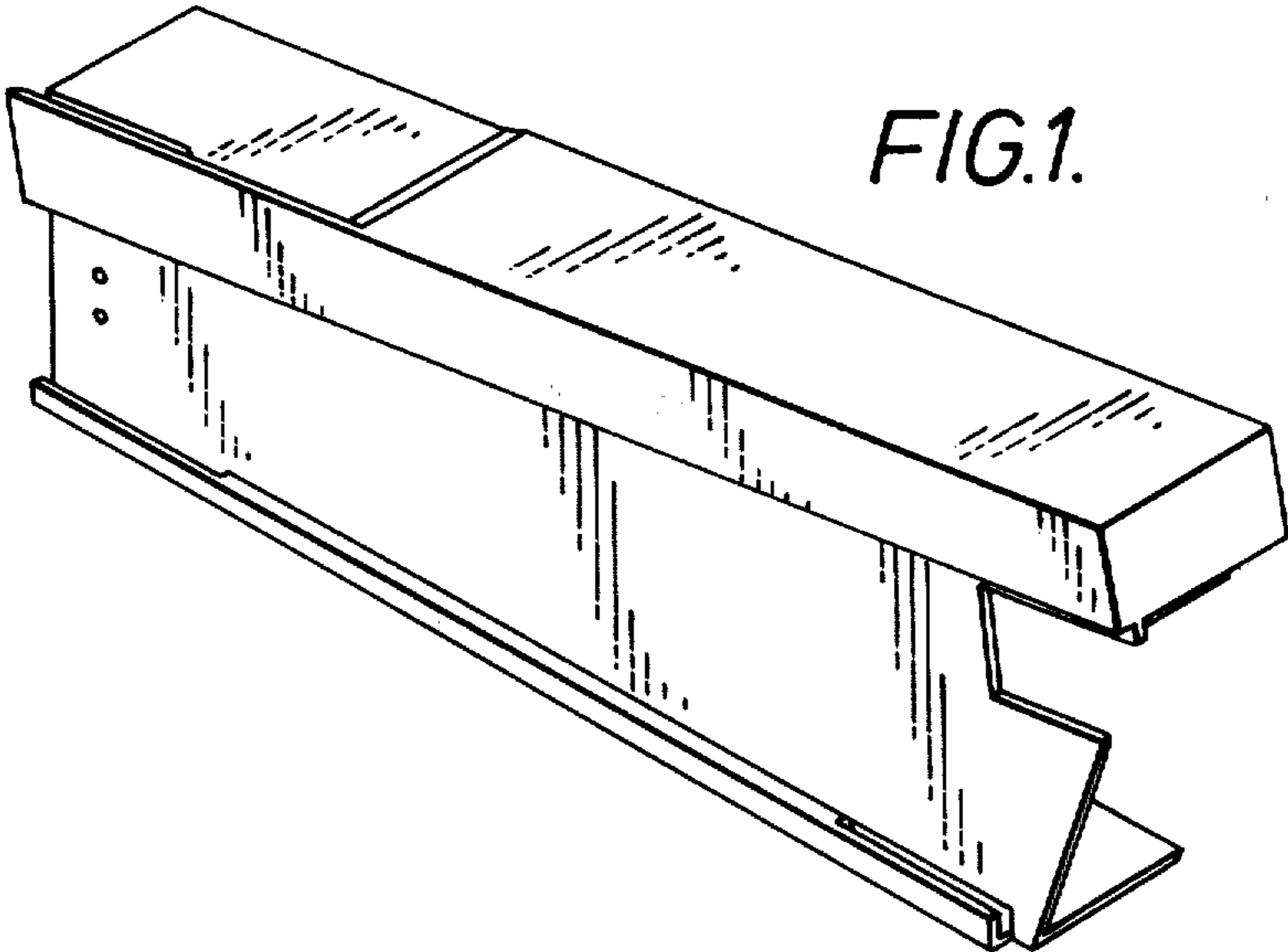
[57] **CLAIM**

The ornamental design for a verge member for a tiled roof, substantially as shown.

DESCRIPTION

FIG. 1 is a perspective view from above, one side and one end.
FIG. 2 is a perspective view from above, other side, and other end.
FIG. 3 is an elevational view thereof taken at arrow III in FIG. 2;
FIG. 4 is an underneath plan view.
FIG. 5 is an elevational view thereof taken at arrow V in FIG. 2; and,
FIG. 6 is a cross sectional view taken on line VI—VI in FIG. 3.





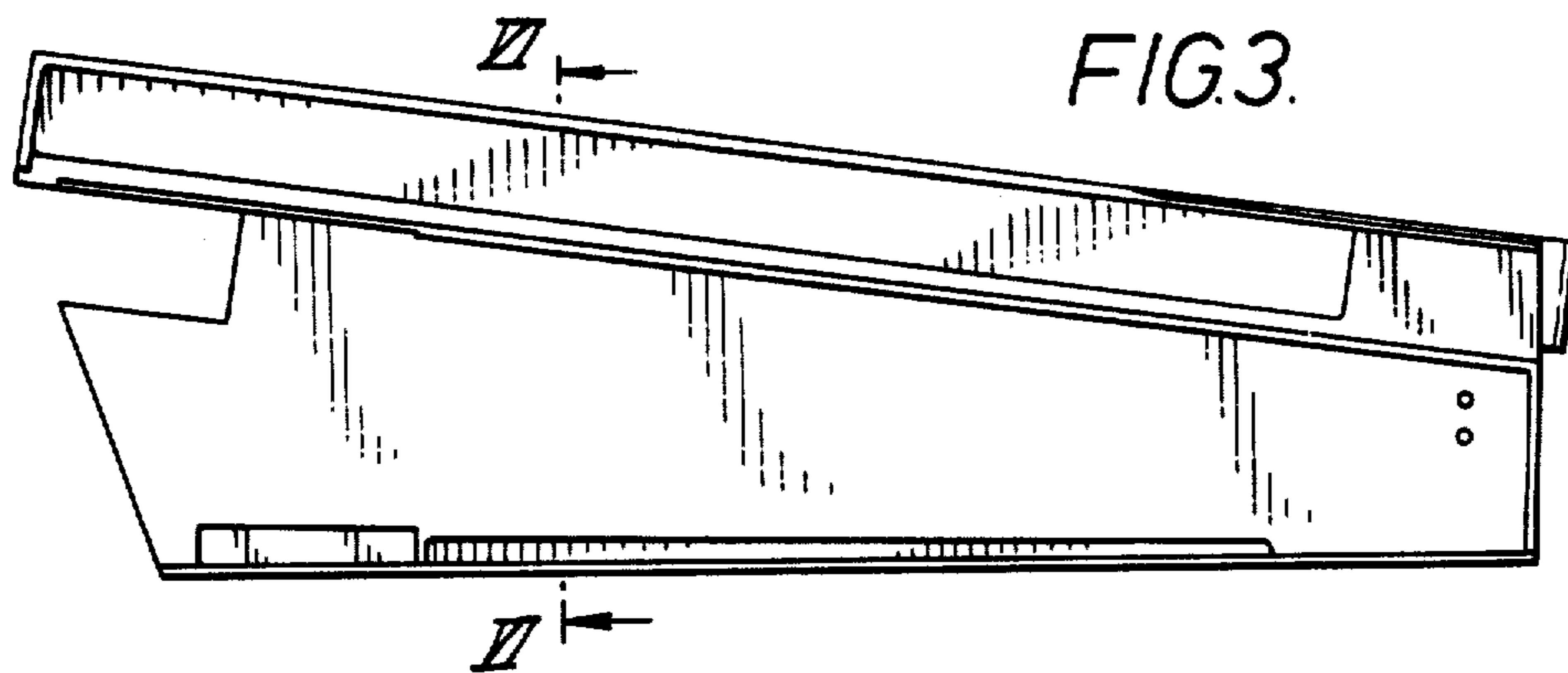


FIG. 3.

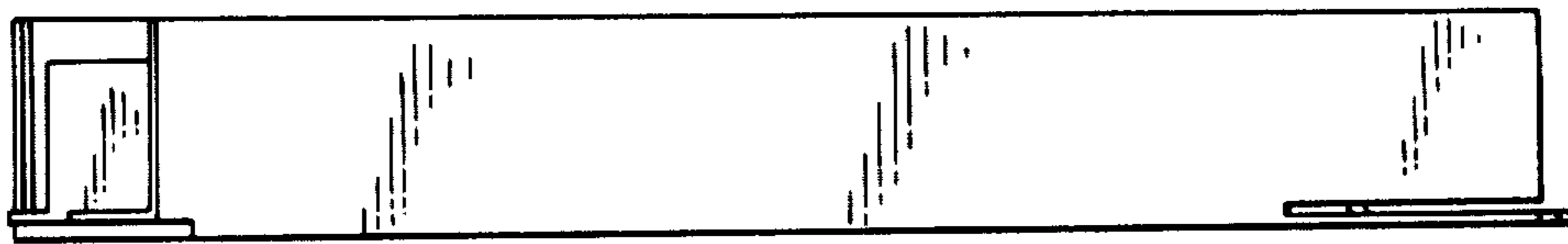


FIG. 4.

FIG. 5.

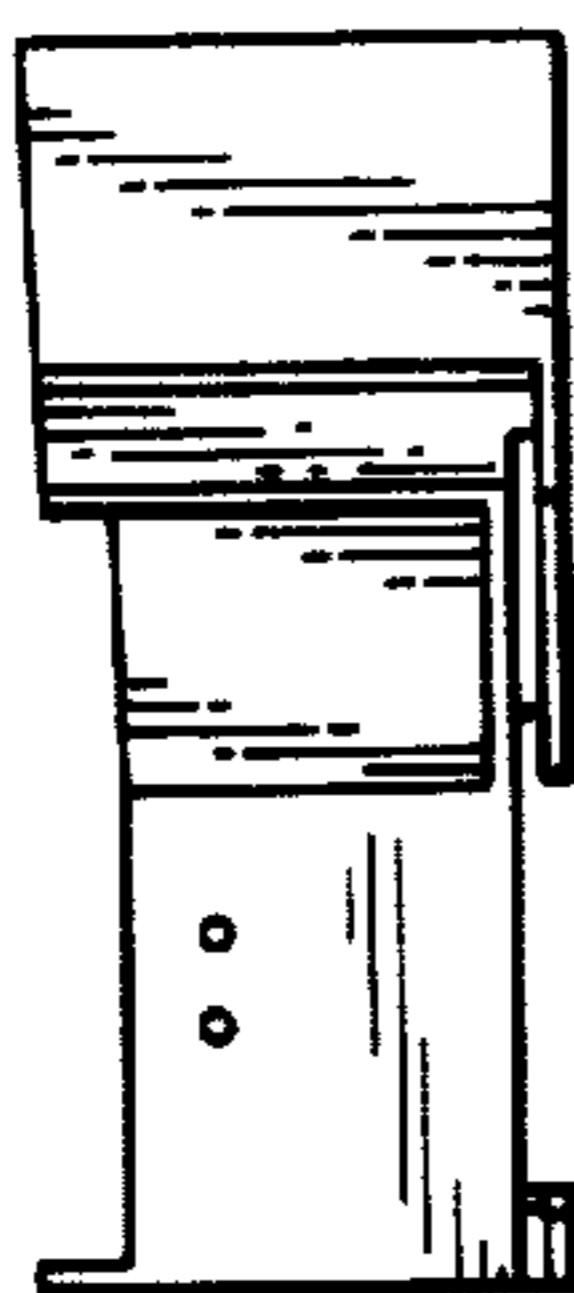


FIG. 6.

