

[54] CONTACT LENS DISINFECTOR

[75] Inventor: Paul A. Hoogesteger, Penfield, N.Y.

[73] Assignee: Bausch & Lomb Incorporated, Rochester, N.Y.

[**] Term: 14 Years

[21] Appl. No.: 252,544

[22] Filed: Apr. 9, 1981

[51] Int. Cl. 24-02

[52] U.S. Cl. D24/9

[58] Field of Search D24/9; 422/292, 293, 422/297, 299, 300, 307

[56] References Cited

U.S. PATENT DOCUMENTS

D. 256,390 8/1980 Thomas et al. D24/9

D. 256,391 8/1980 Thomas et al. D24/9
D. 257,486 11/1980 Thomas D24/9
3,505,007 4/1970 Green 422/302
3,961,893 6/1976 Russell 422/300

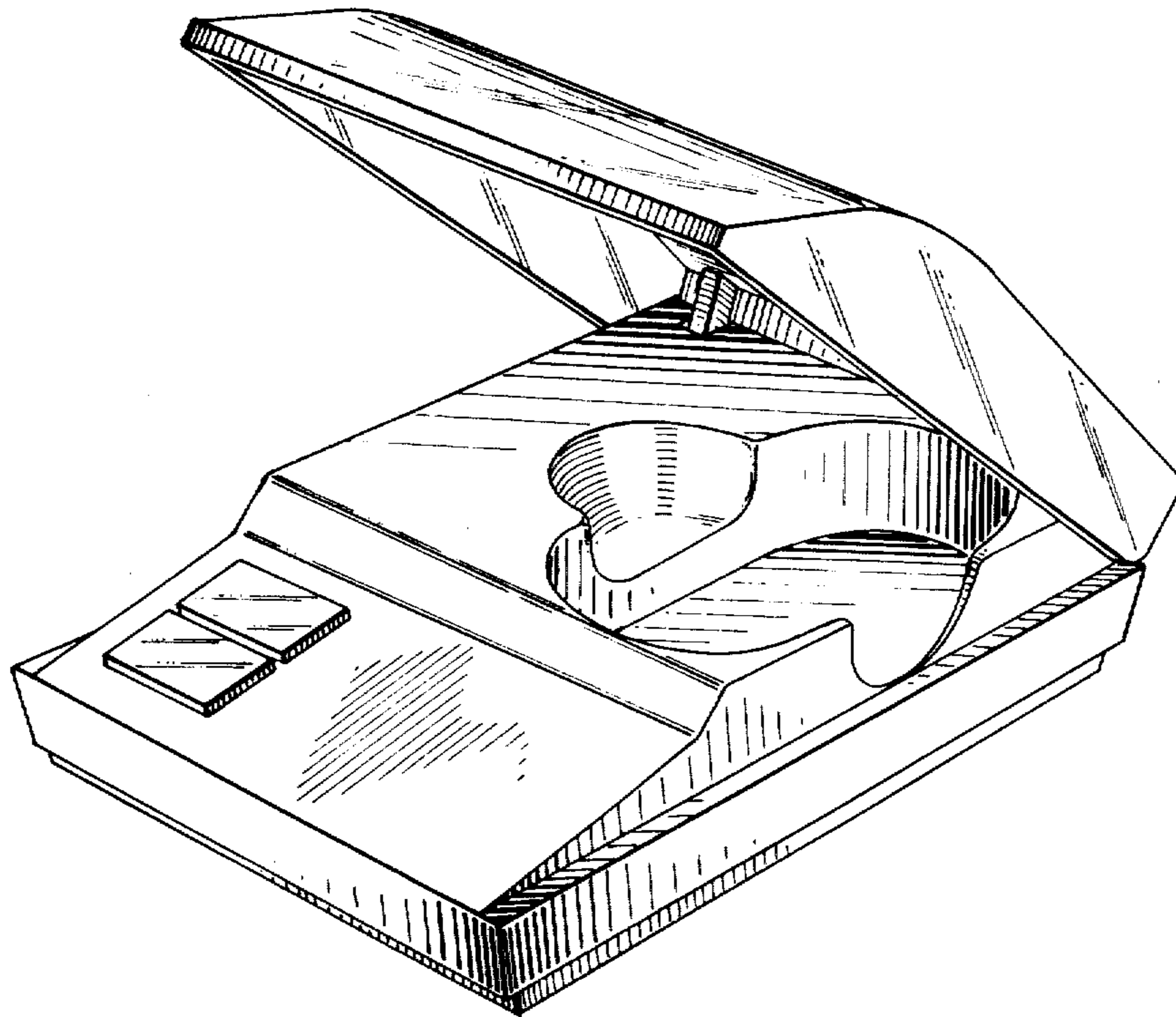
Primary Examiner—Bernard Ansher
Attorney, Agent, or Firm—Bernard D. Bogdon; John S. Norton

[57] CLAIM

The ornamental design for a contact lens disinfector, substantially as shown and described.

DESCRIPTION

FIG. 1 is a right rear perspective view of my new design for a contact lens disinfector, with the cover in a closed position;
FIG. 2 is a right front perspective thereof, showing the cover in an open position; and
FIG. 3 is a left front perspective thereof.



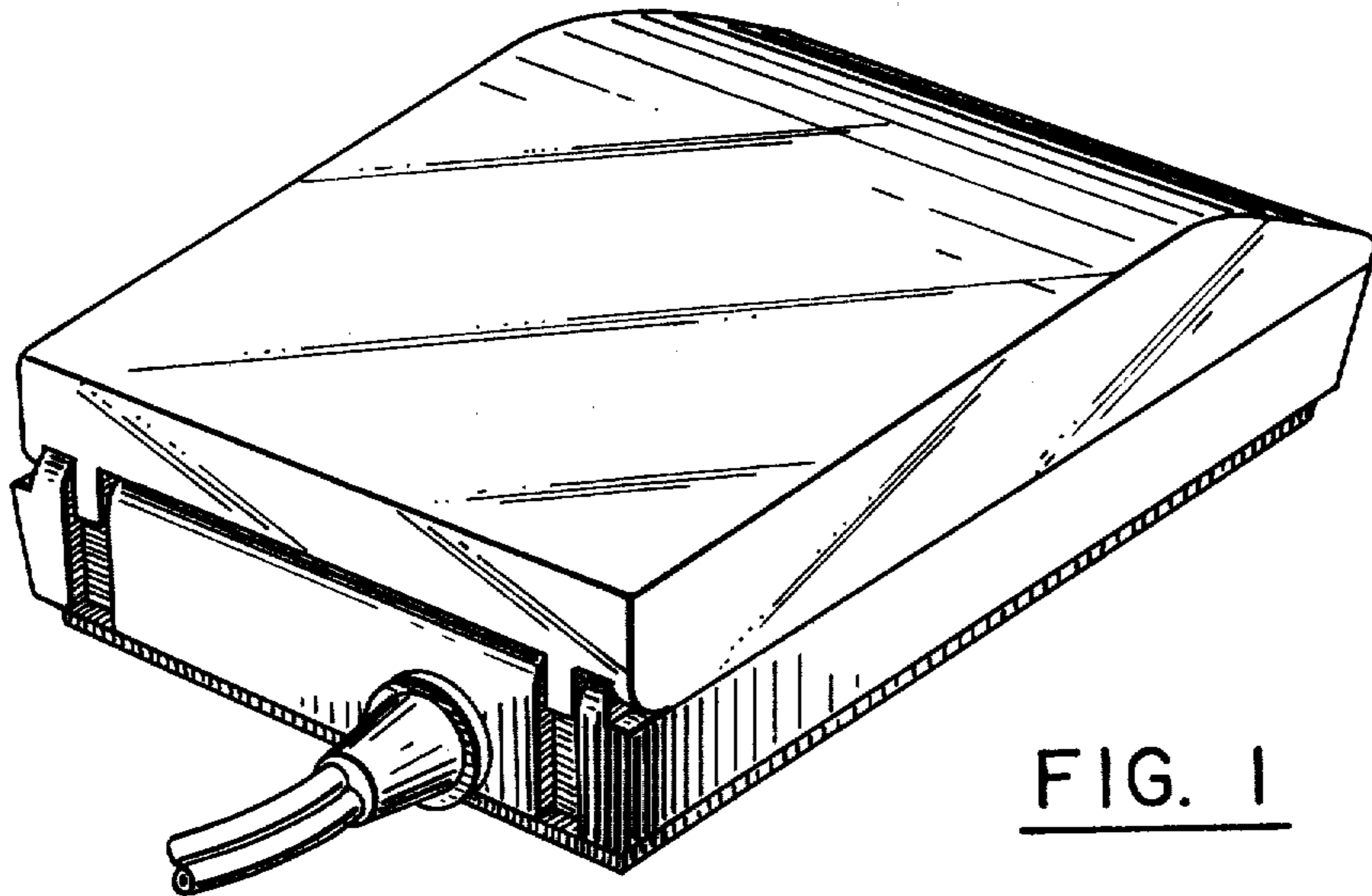


FIG. 1

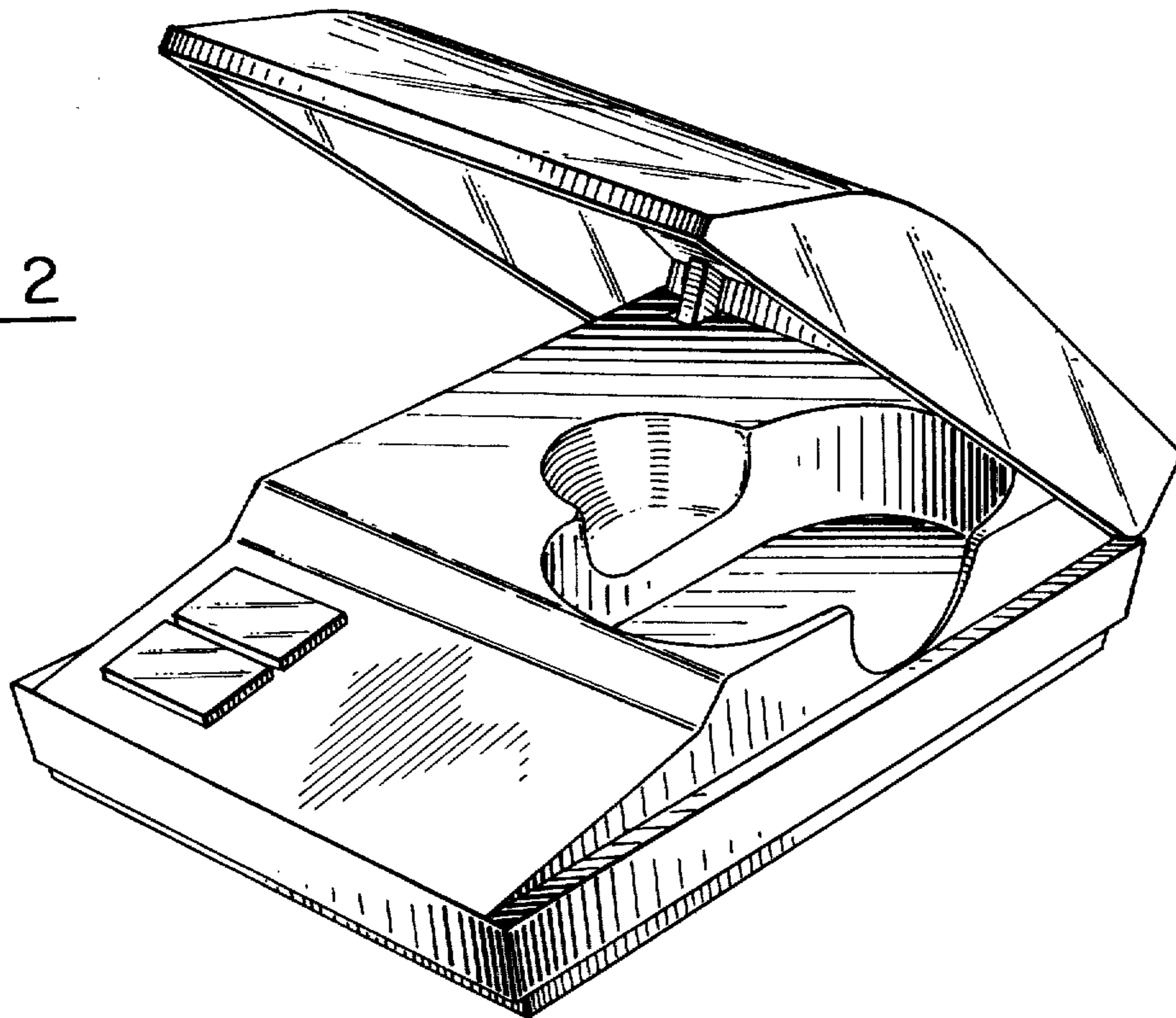


FIG. 2

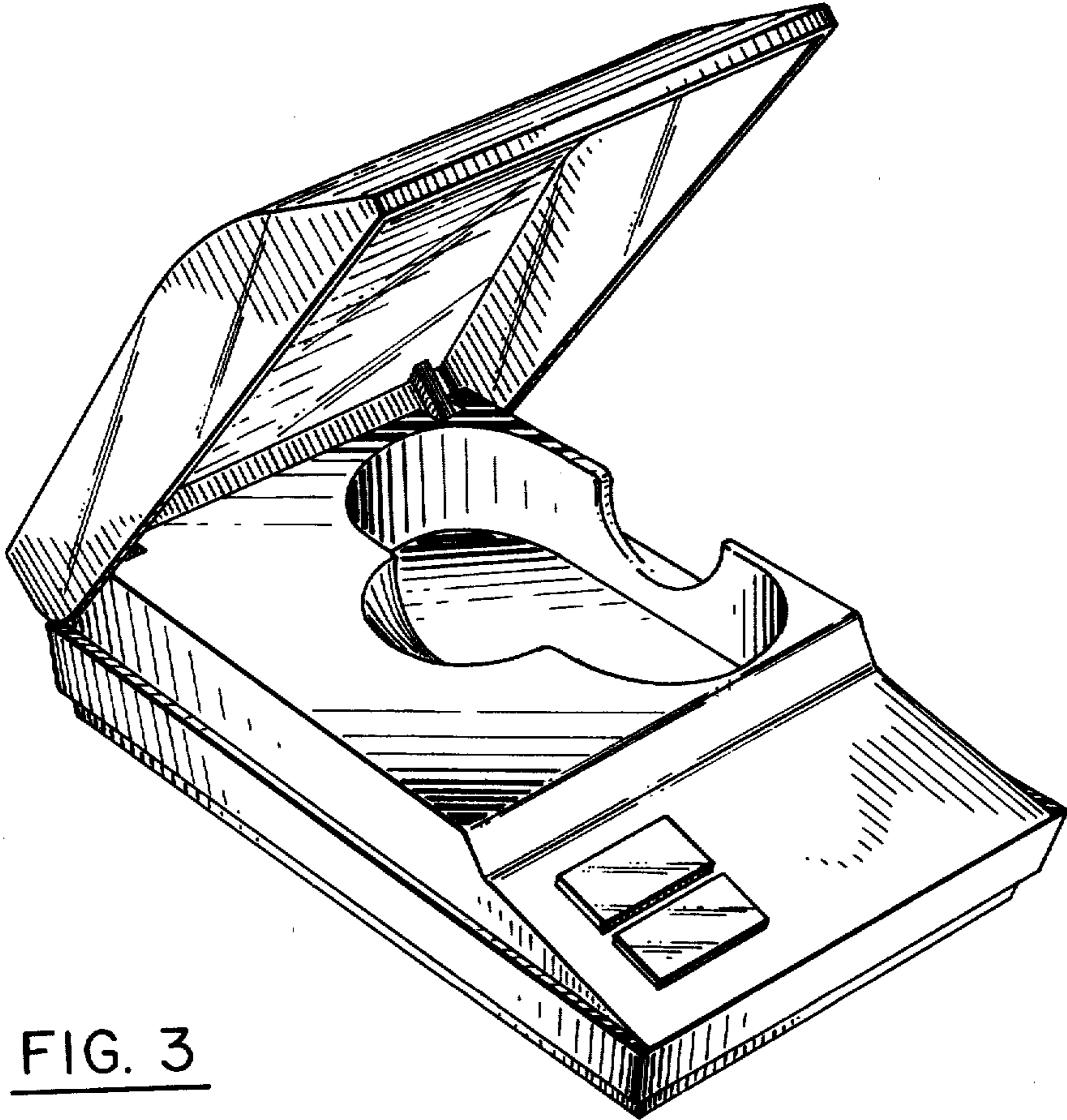


FIG. 3