

[54] AIR FRESHENER HOUSING

[75] Inventor: **Richard H. Seager**, Mystic, Conn.

[73] Assignee: **Risdon Enterprises, Inc.**, Columbia, S.C.

[\*\*] Term: **14 Years**

[21] Appl. No.: **260,291**

[22] Filed: **May 4, 1981**

[51] Int. Cl. .... **D23-04**

[52] U.S. Cl. .... **D23/150**

[58] Field of Search ..... **D23/139-154;**  
**239/34-60; 261/DIG. 65; 55/279, 467, 473**

D. 253,549 11/1979 Seager ..... D23/150

D. 267,114 11/1982 Lynch, Jr. et al. .... D23/149

3,861,894 1/1975 Marsh ..... 55/316

3,966,442 6/1976 Water ..... 55/316

4,272,261 6/1981 Lynch, Jr. et al. .... 55/279

*Primary Examiner*—James R. Largen  
*Attorney, Agent, or Firm*—St. Onge, Steward, Johnston & Reens

[57] CLAIM

The ornamental design for a device for an air freshener housing, substantially as shown.

DESCRIPTION

FIG. 1 is a perspective view of an air freshener housing showing my new design;

FIG. 2 is a top plan view thereof;

FIG. 3 is a left side elevational view thereof, the right side being a mirror image of the left side shown;

FIG. 4 is a front elevational view thereof;

FIG. 5 is a rear elevational view thereof; and

FIG. 6 is a bottom plan view thereof.

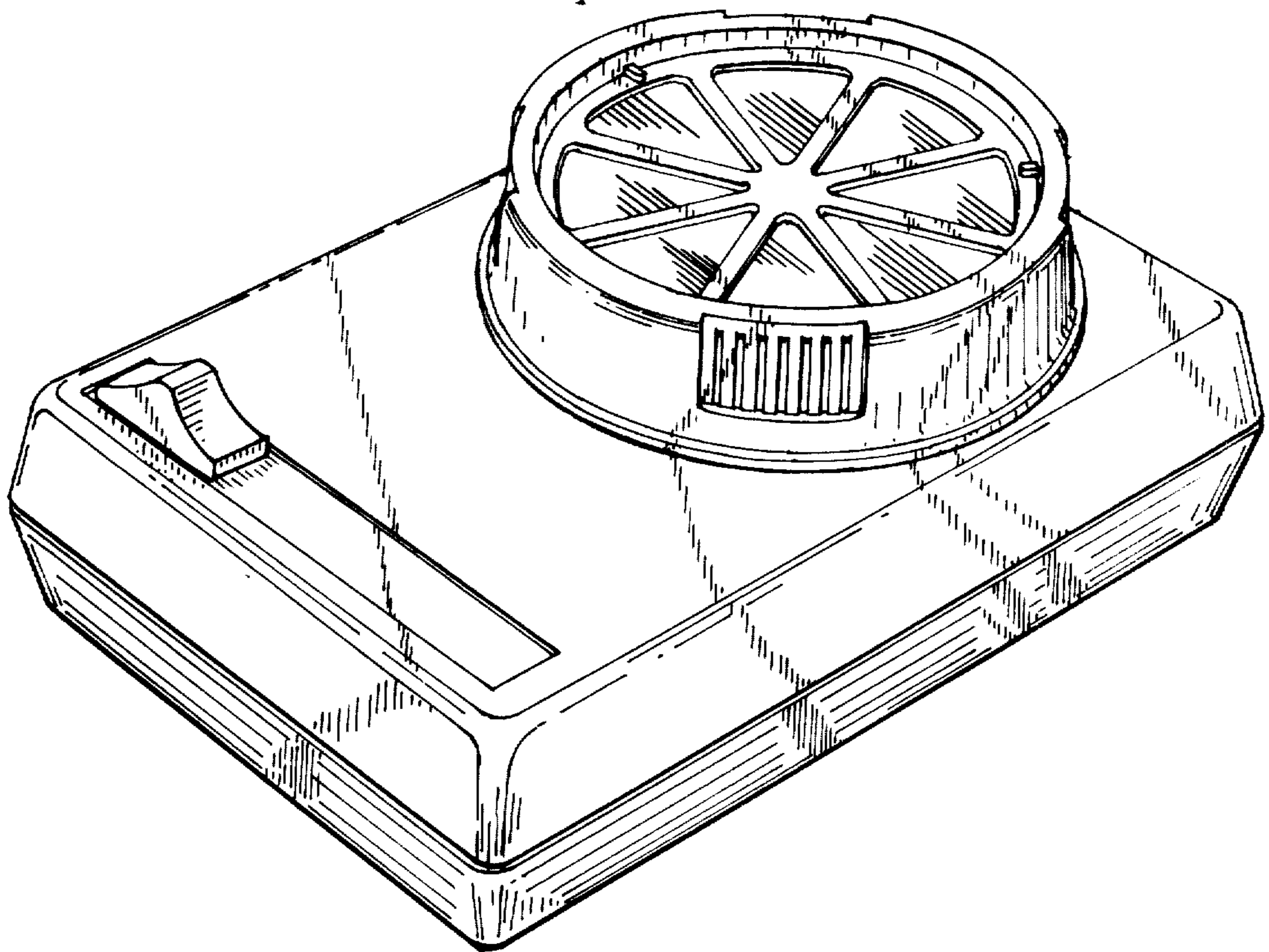
[56] **References Cited**

**U.S. PATENT DOCUMENTS**

D. 197,405 1/1964 Weber ..... D23/150

D. 233,436 10/1974 Kirby ..... D23/150

D. 246,110 10/1977 Hadtke ..... D23/150



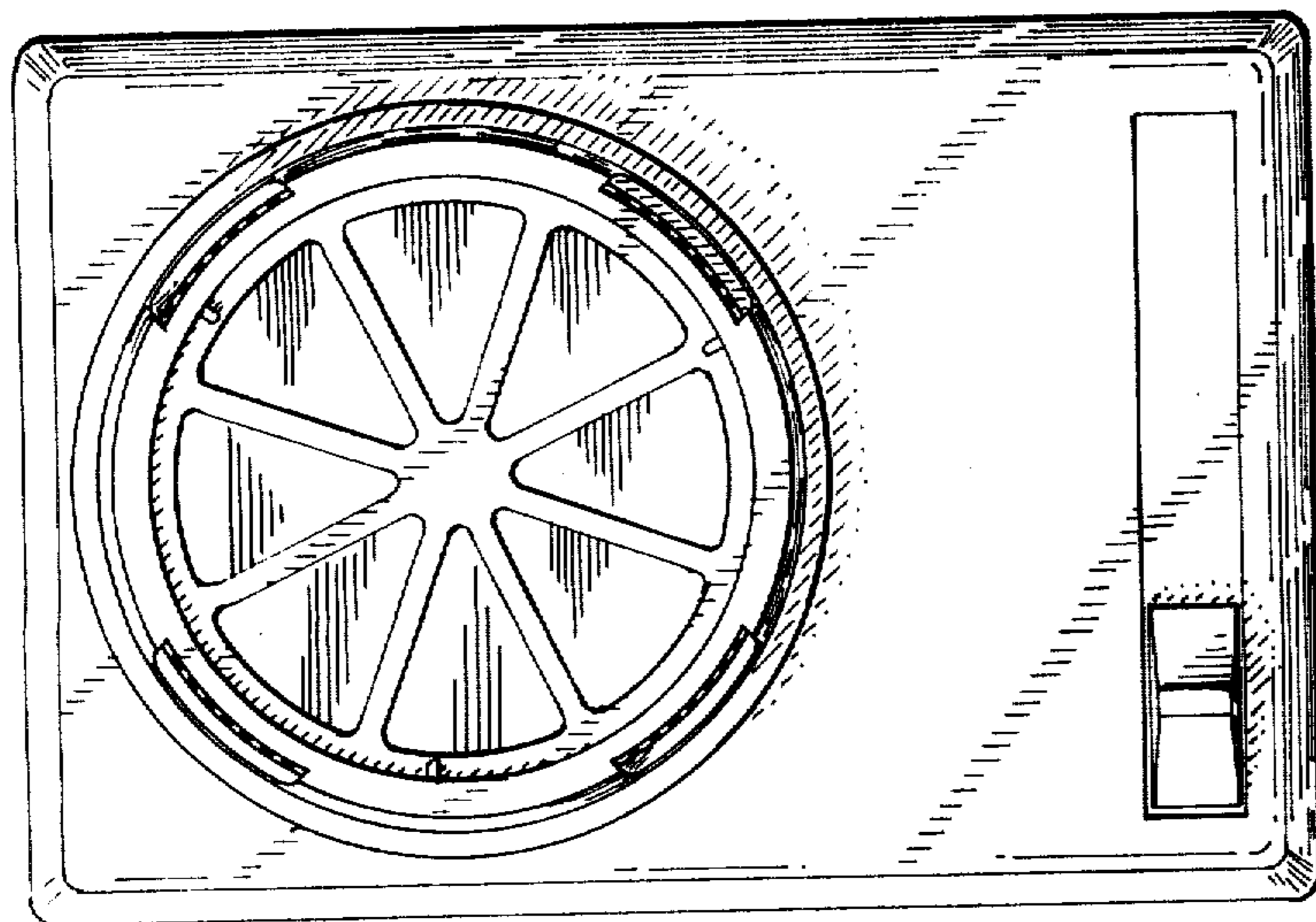


FIG. 2

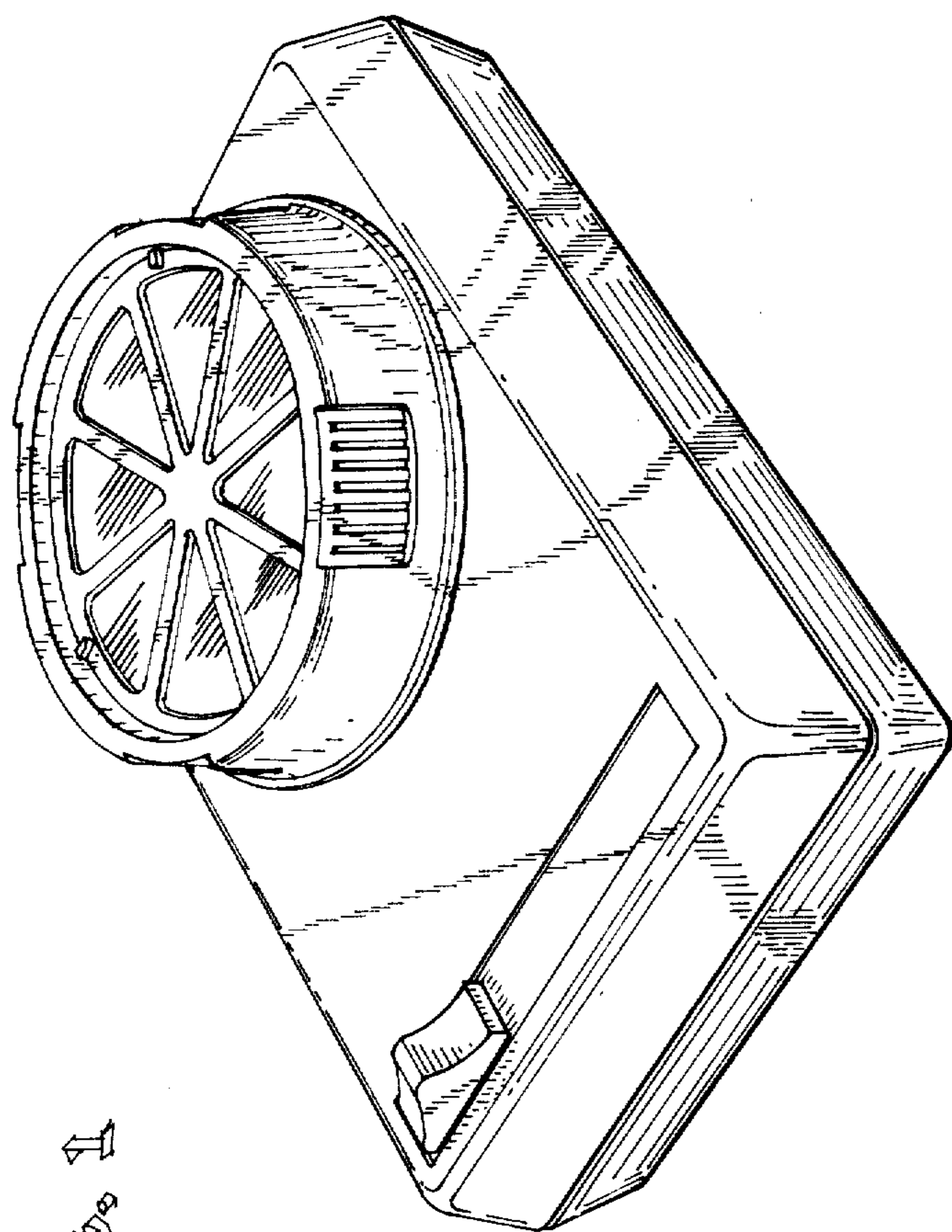


FIG. 1

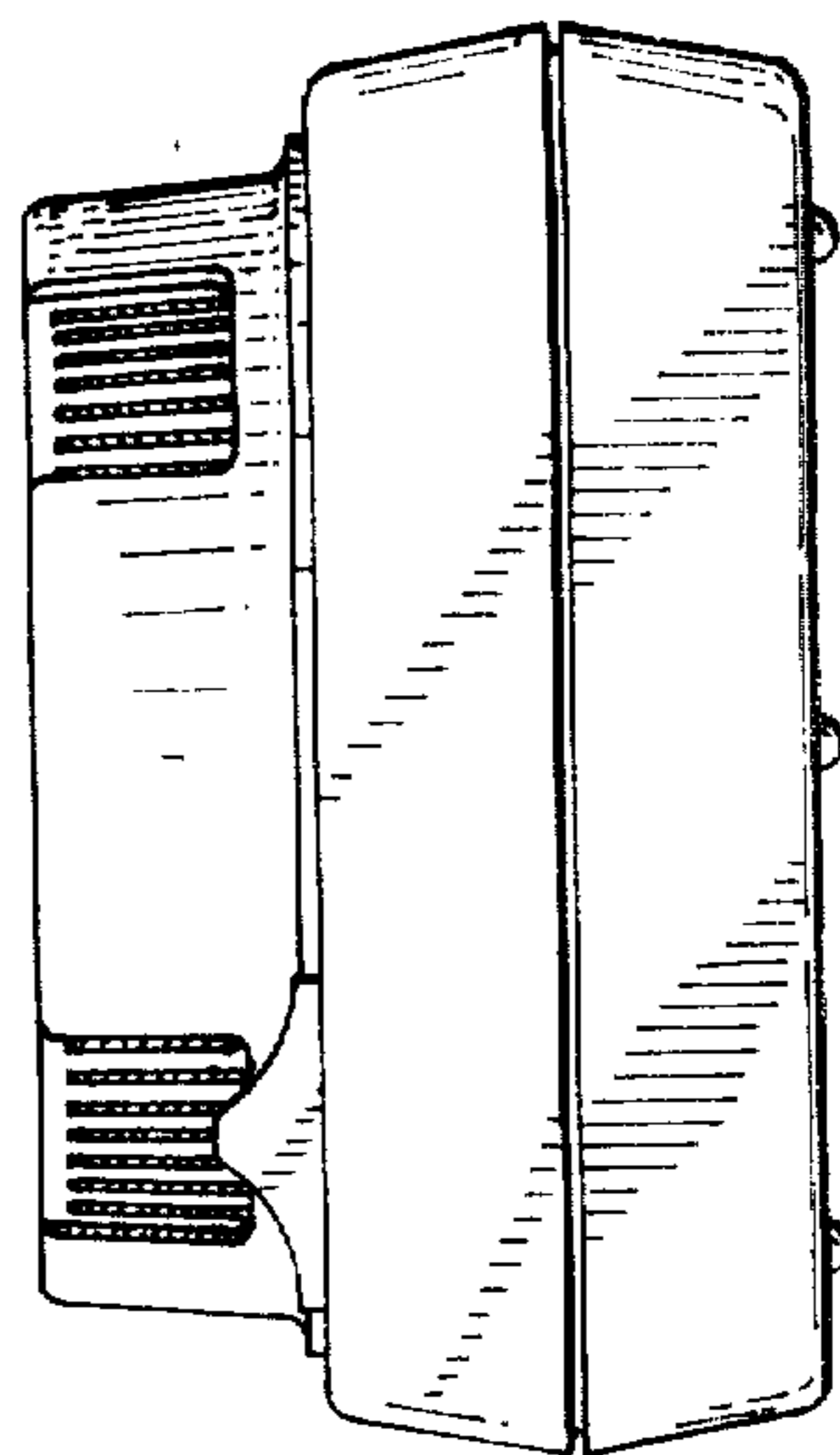


FIG. 4

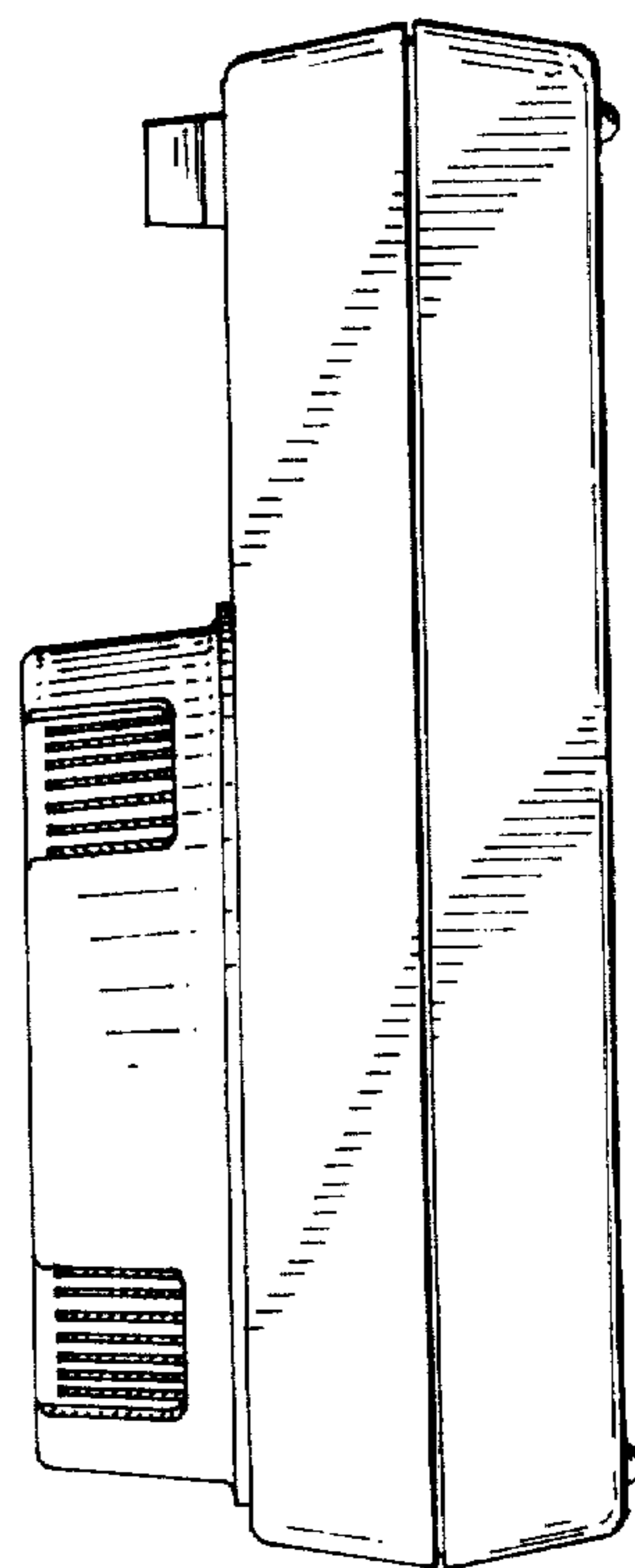


FIG. 3

FIG. 5

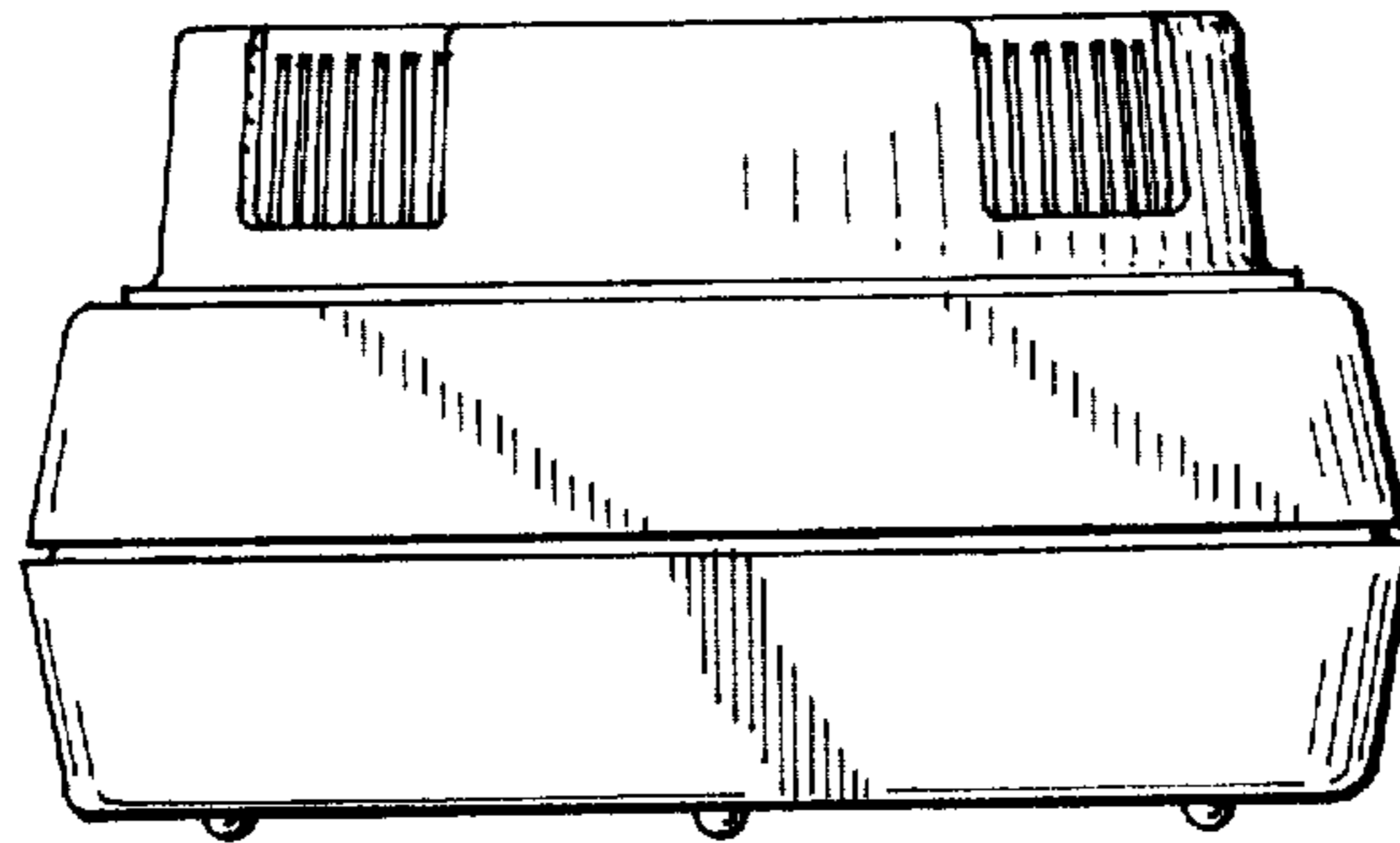


FIG. 6

