

[54] **THERMAL DEFLECTOR**

[76] **Inventor:** James H. Jenkins, 6010 N. 26th St.,  
Arlington, Va. 22207

[\*\*] **Term:** 14 Years

[21] **Appl. No.:** 181,796

[22] **Filed:** Aug. 27, 1980

[51] **Int. Cl.** ..... D23—03

[52] **U.S. Cl.** ..... D23/94; D23/127;  
D23/137

[58] **Field of Search** ..... D23/94; 126/141;  
D23/127, 137

[56] **References Cited**

**U.S. PATENT DOCUMENTS**

D. 245,623 8/1977 Jenkins ..... D23/94  
4,164,931 8/1979 Jenkins ..... 126/141 X

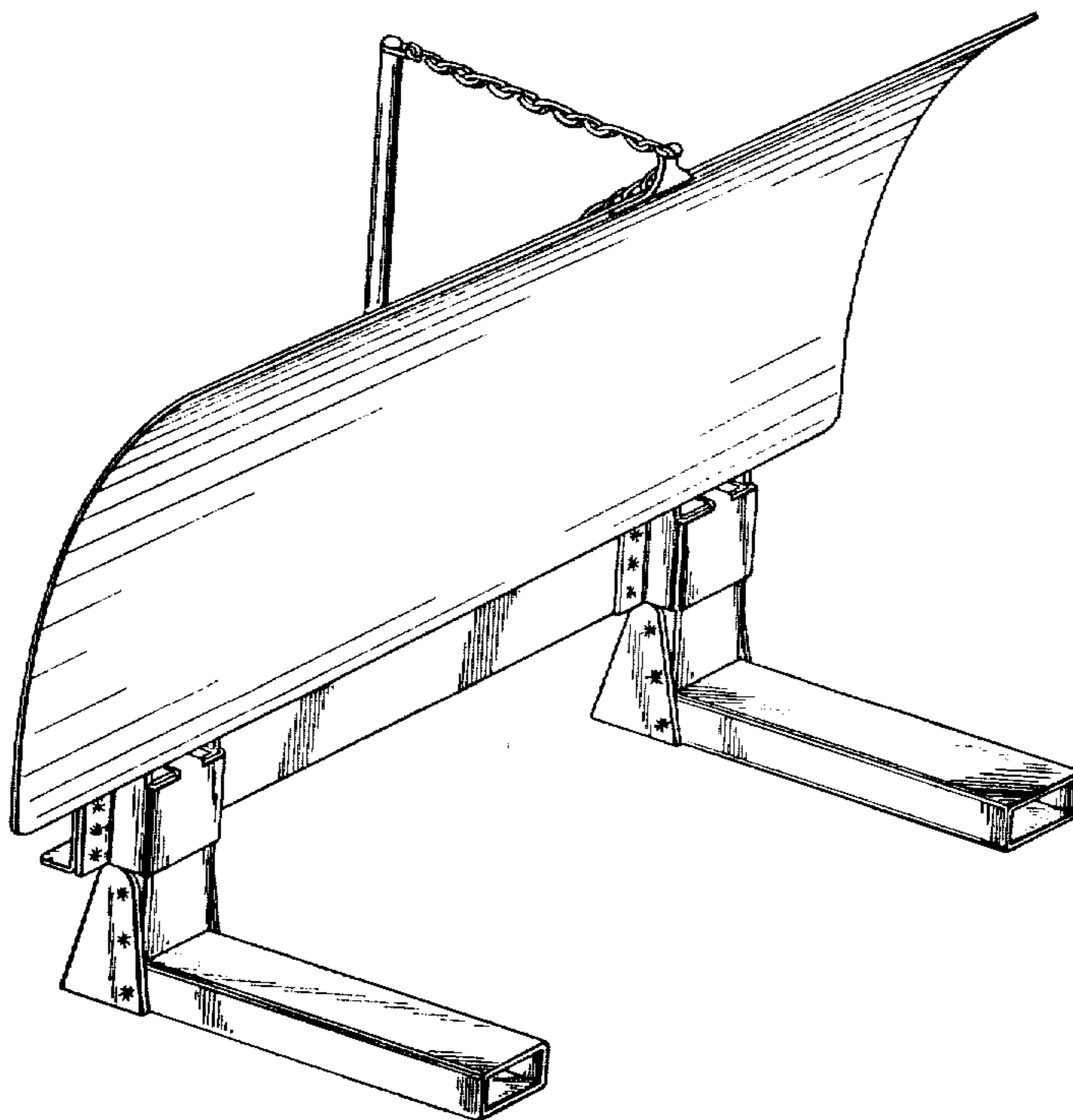
*Primary Examiner*—Catherine E. Kemper

[57] **CLAIM**

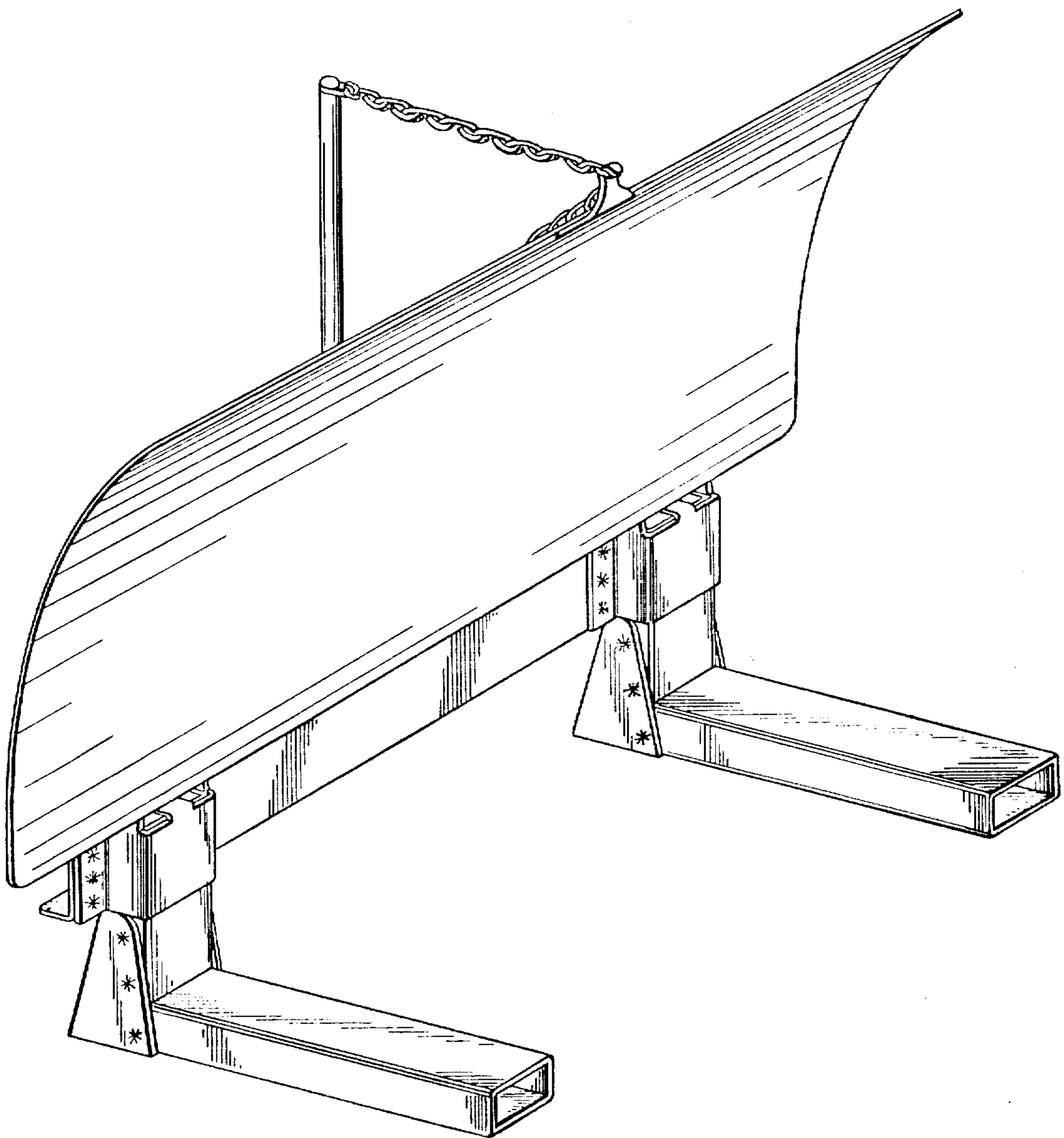
The ornamental design for a thermal deflector, as shown.

**DESCRIPTION**

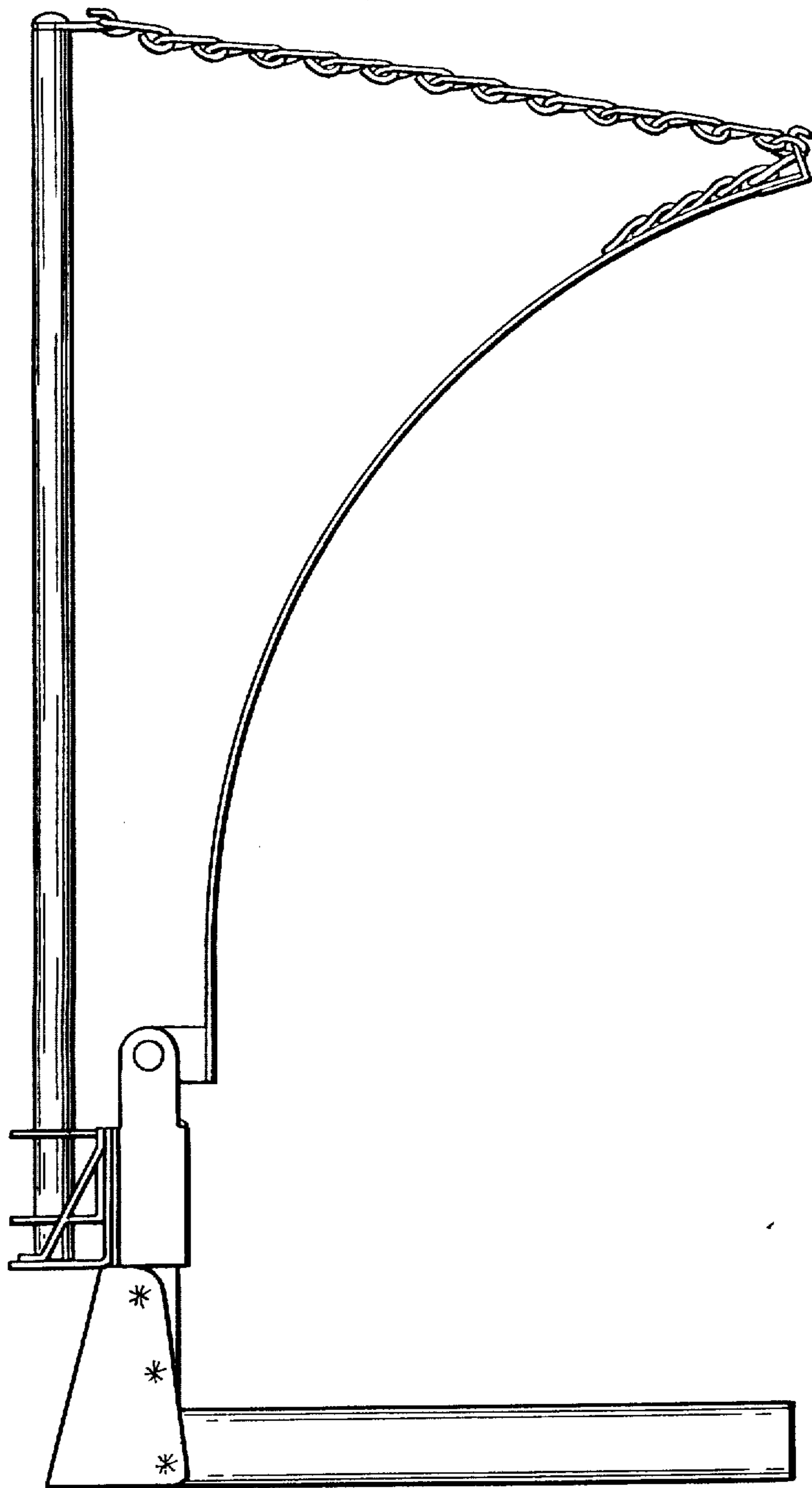
FIG. 1 is a front perspective view of a thermal deflector, showing my new design;  
FIG. 2 is a side elevational view thereof;  
FIG. 3 is a rear perspective view thereof.



*Fig. 1*



*Fig. 2*



*Fig. 3*

