

[54] **ULTRASONIC PEST CONTROL DEVICE**

[75] **Inventor: Lester B. Hall, Kenmore, N.Y.**

[73] **Assignee: Gary Lester Hall, Kenmore, N.Y.**

[**] **Term: 14 Years**

[21] **Appl. No.: 242,632**

[22] **Filed: Mar. 11, 1981**

[51] **Int. Cl. D22—06**

[52] **U.S. Cl. D22/18; D26/2**

[58] **Field of Search D22/18, 19, 99; D99/99;
43/124, 112; 340/384 E, 521, 523, 524, 692;
D26/2, 26**

[56] **References Cited**

U.S. PATENT DOCUMENTS

2,307,163 1/1943 Shea 43/112
3,879,702 4/1975 Mancone 43/124 X

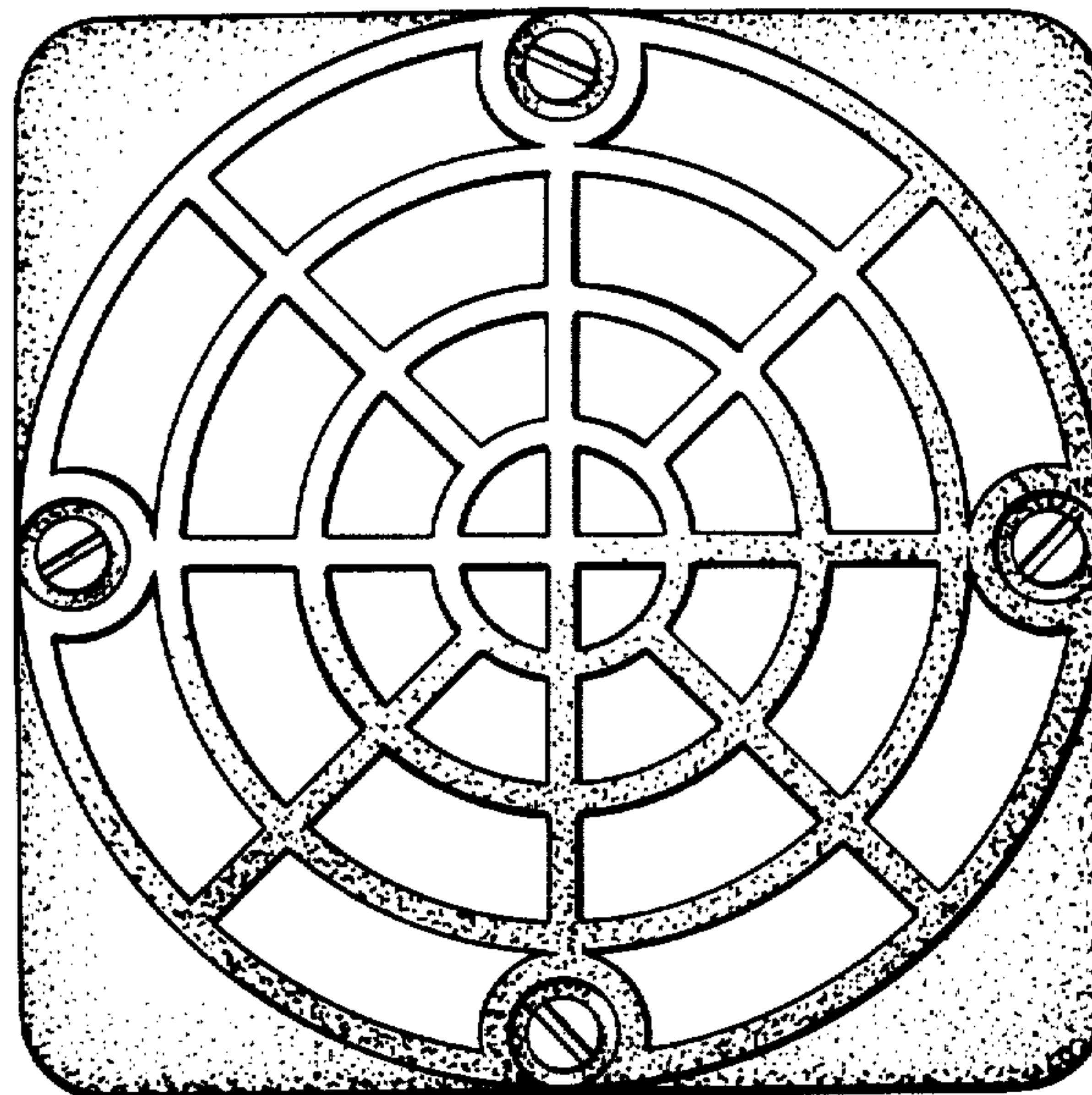
Primary Examiner—A. Hugo Word
Attorney, Agent, or Firm—Christel, Bean & Linihan

[57] **CLAIM**

The ornamental design for an ultrasonic pest control device, substantially as shown and described.

DESCRIPTION

FIG. 1 is a front elevational view of an ultrasonic pest control device, showing my new design;
FIG. 2 is a rear elevational view thereof;
FIG. 3 is a top plan view thereof, the bottom view being the same;
FIG. 4 is a side elevational view thereof, the opposite side view being the same;
FIG. 5 is a front elevational view of an ultrasonic pest control device, showing another embodiment of my new design;
FIG. 6 is a rear elevational view thereof;
FIG. 7 is a top plan view thereof, the bottom view being the same;
FIG. 8 is a side elevational view thereof, the opposite side view being the same;
FIG. 9 is a front elevational view of an ultrasonic pest control device, showing another embodiment of my new design;
FIG. 10 is a rear elevational view thereof;
FIG. 11 is a top plan view thereof, the bottom view being the same; and
FIG. 12 is a side elevational view thereof, the opposite side view being the same.



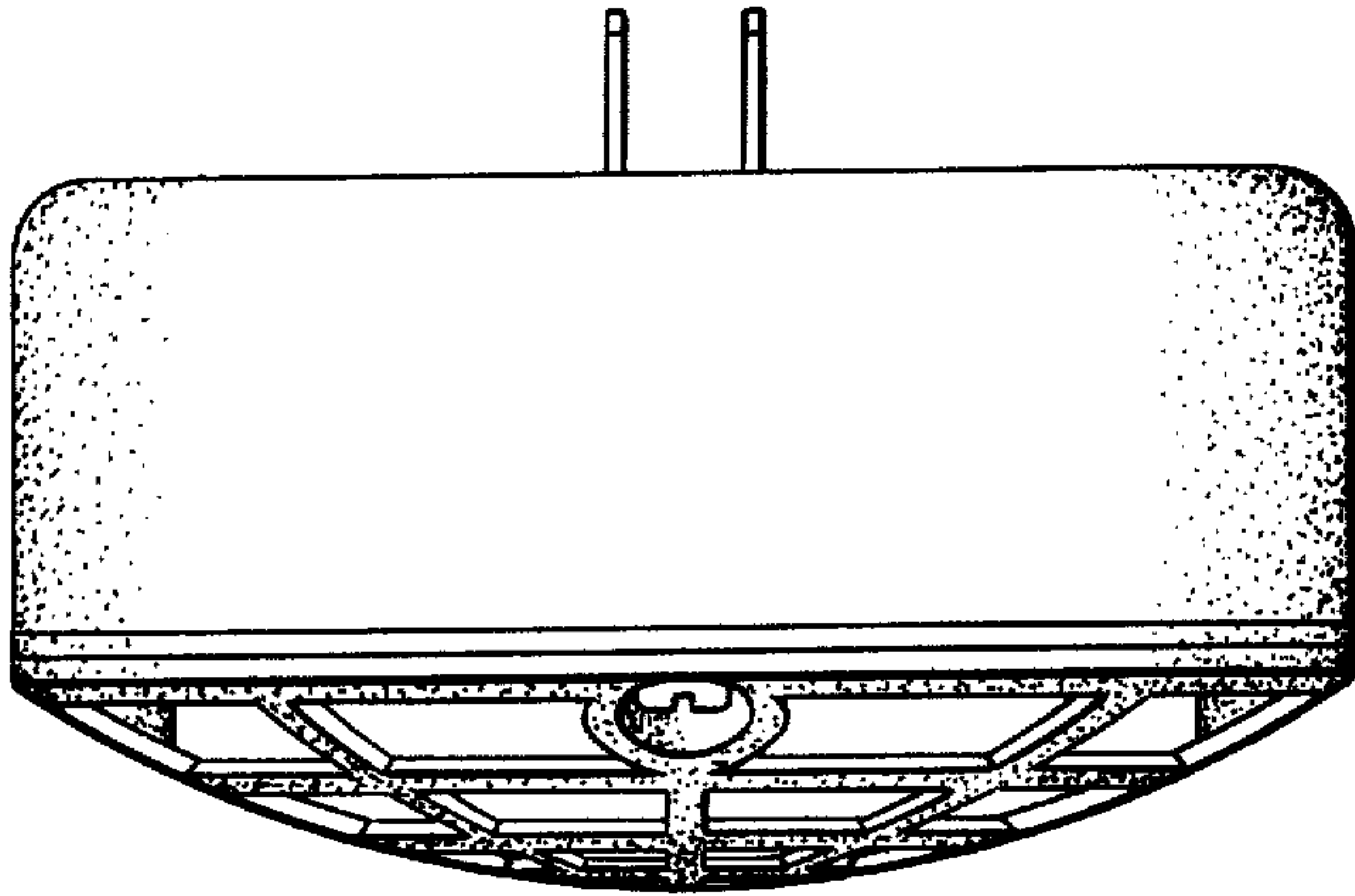


Fig. 3.

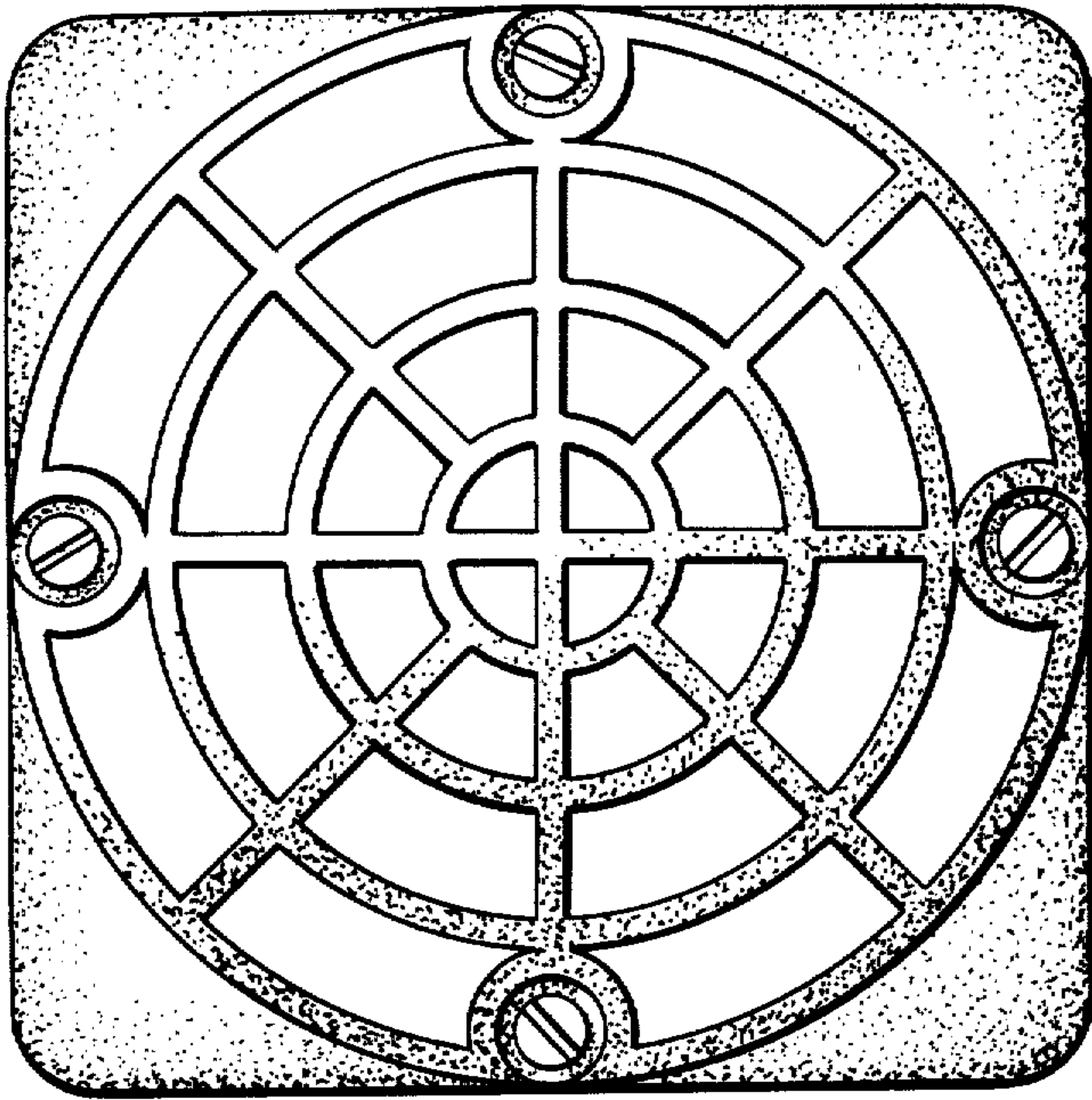


Fig. 1.

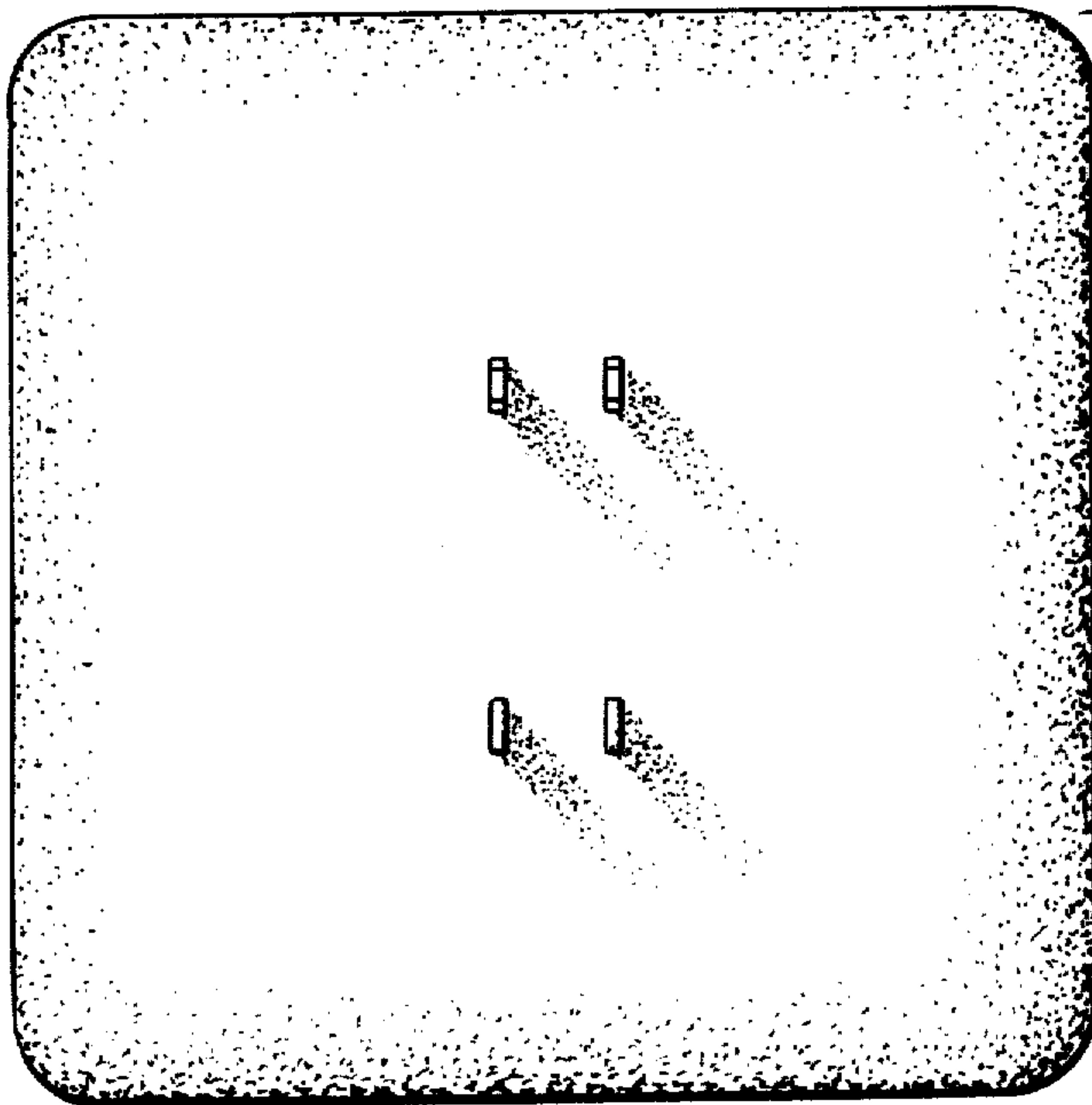


Fig. 2.

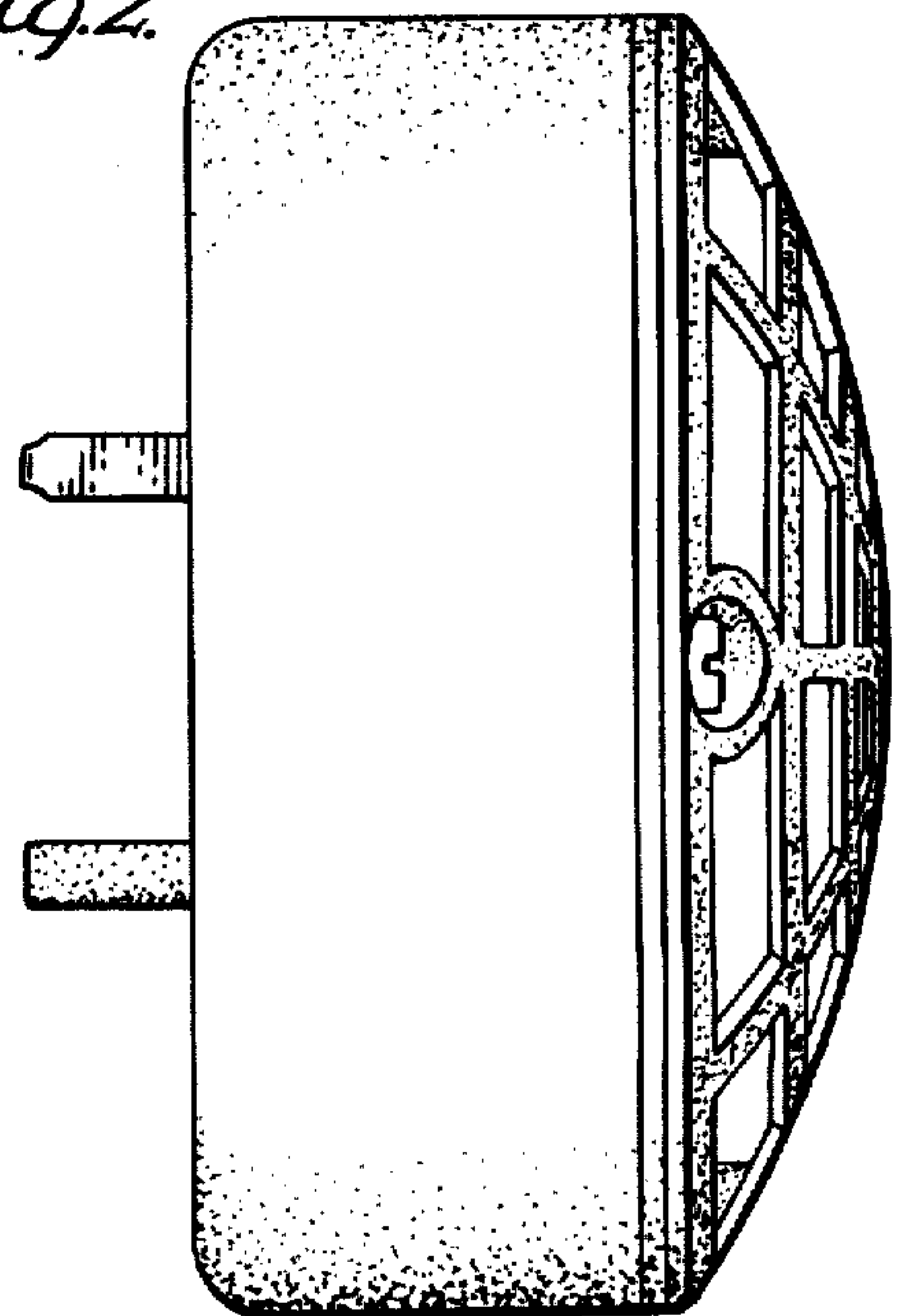


Fig. 4.

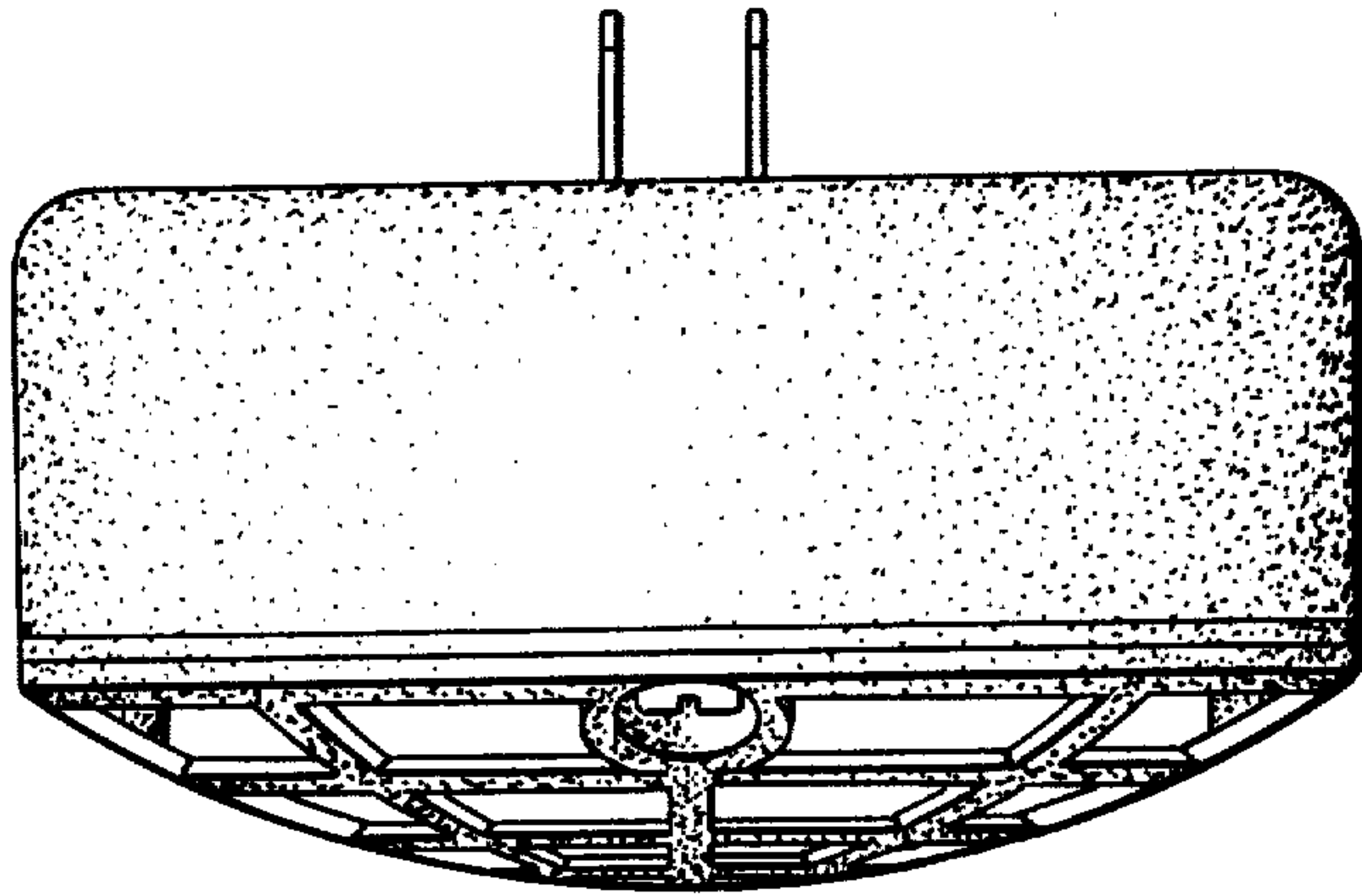


Fig. 7.

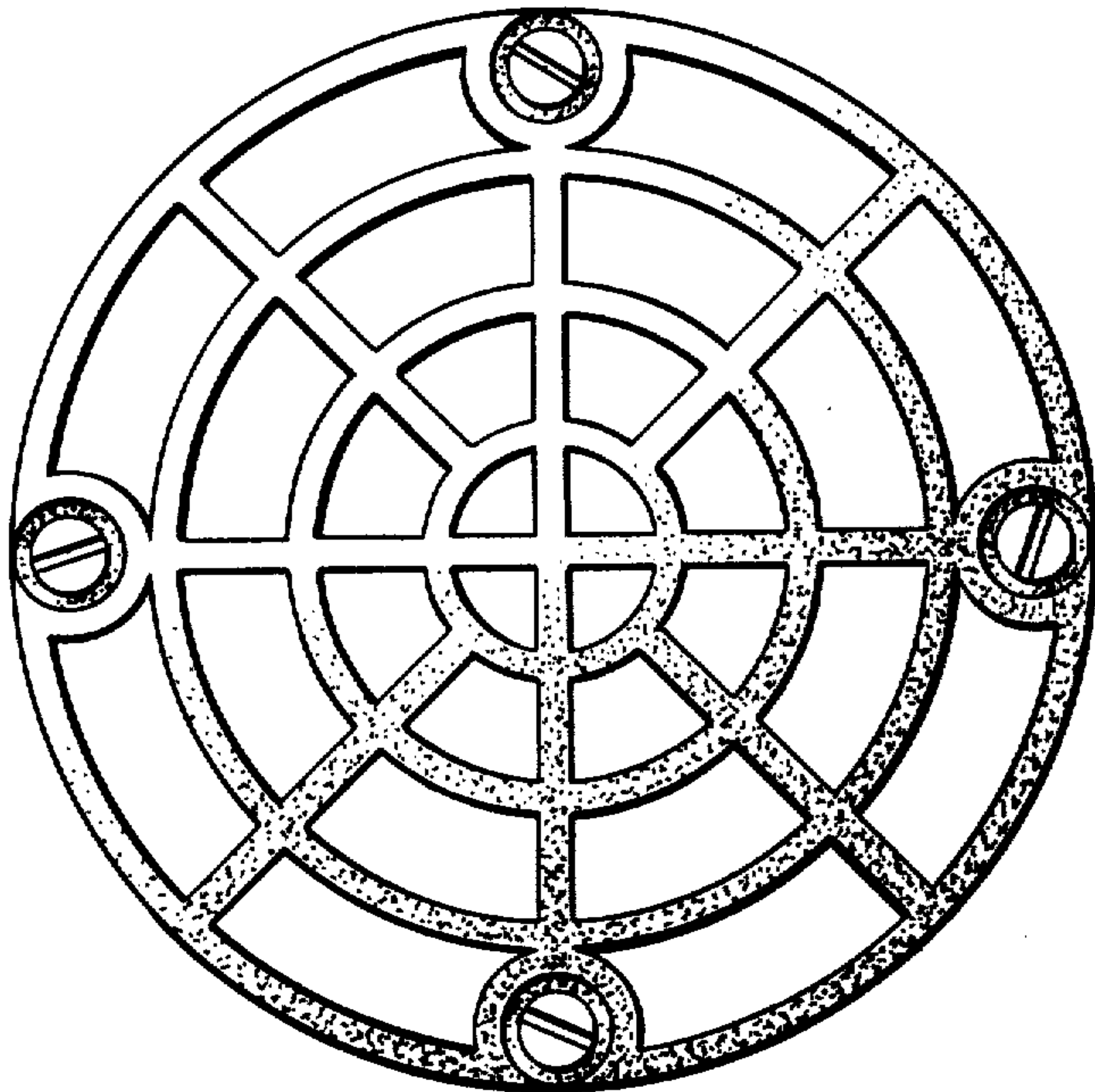


Fig. 5.

Fig. 8.

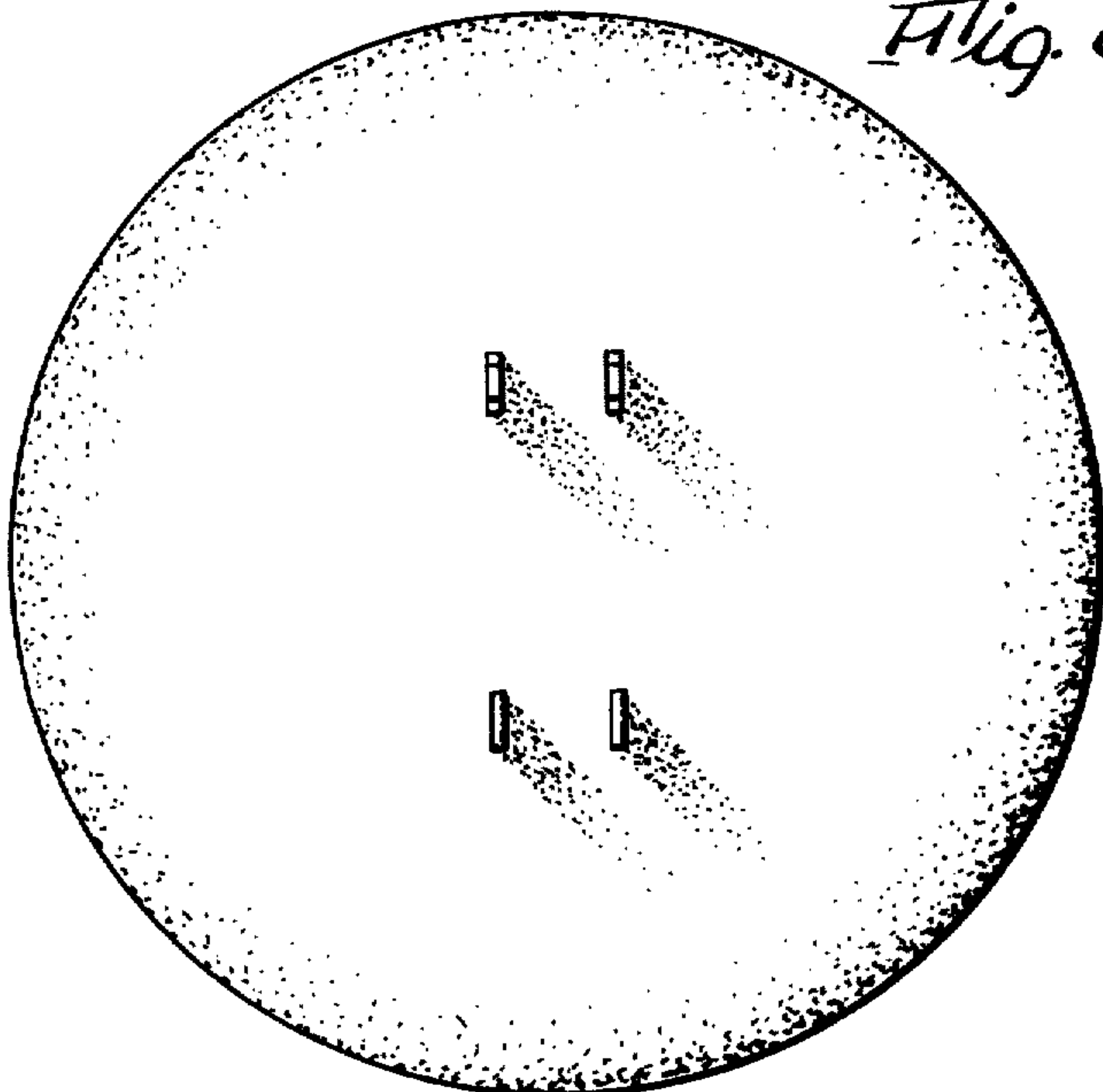
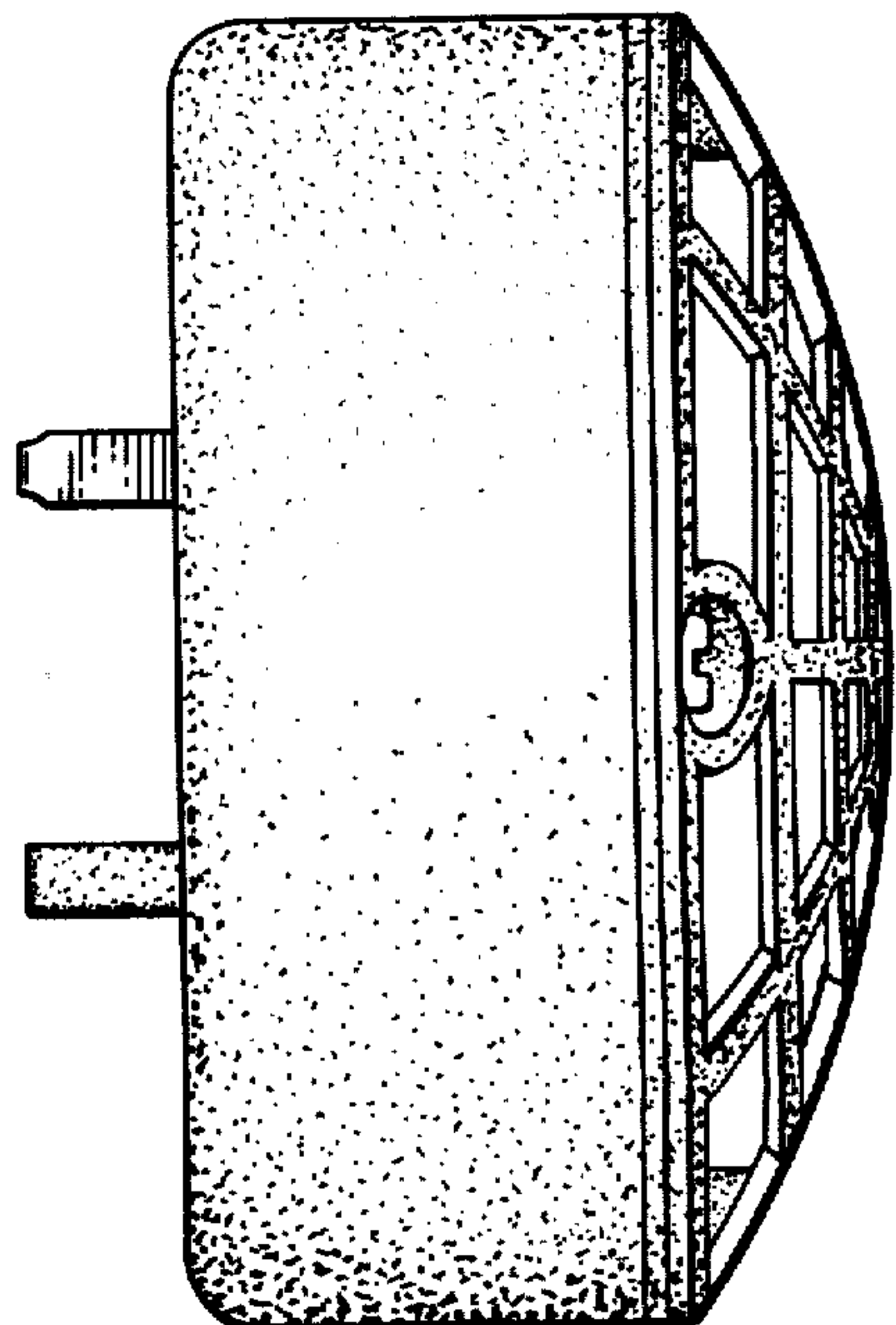


Fig. 6.



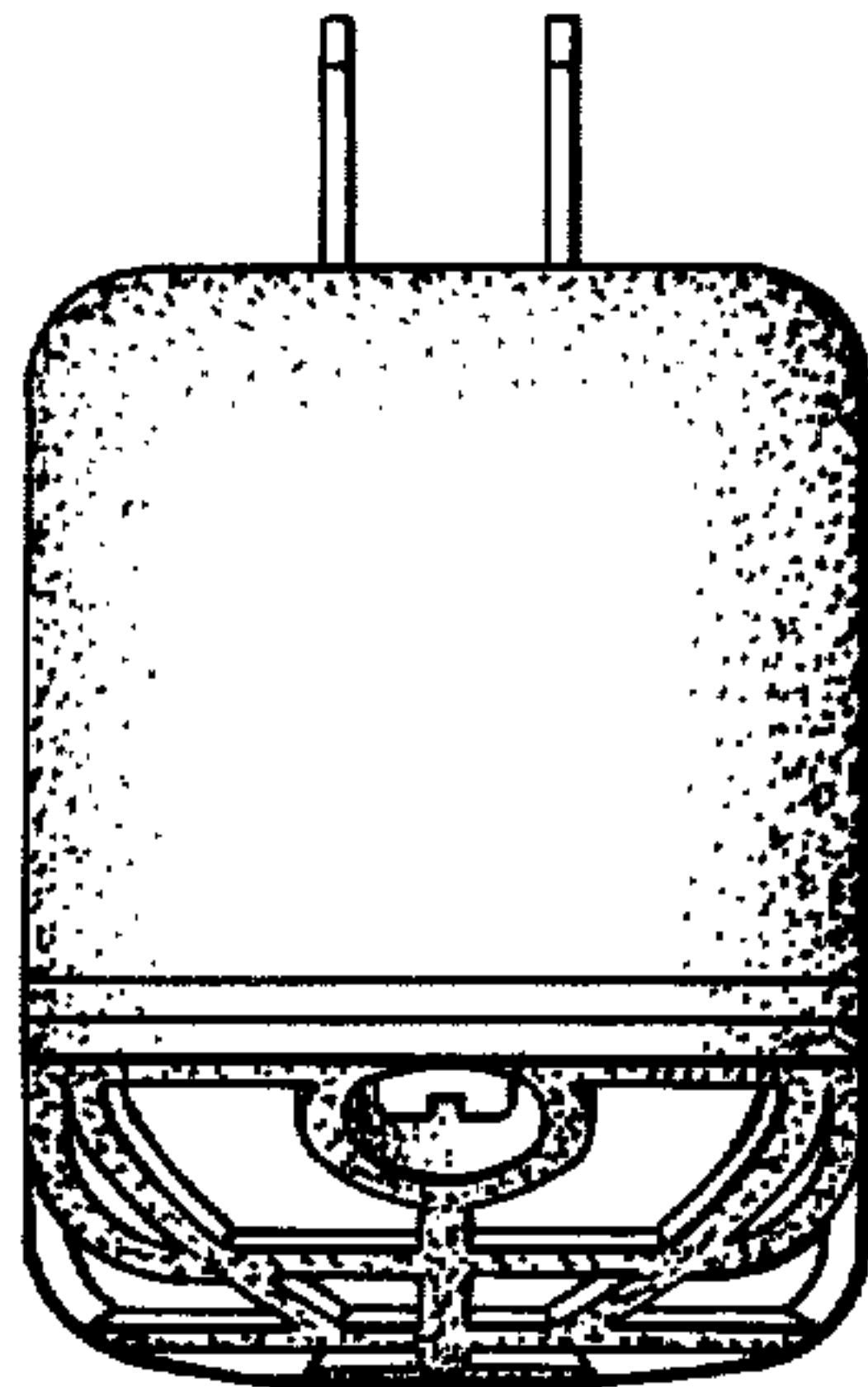


Fig. 11.

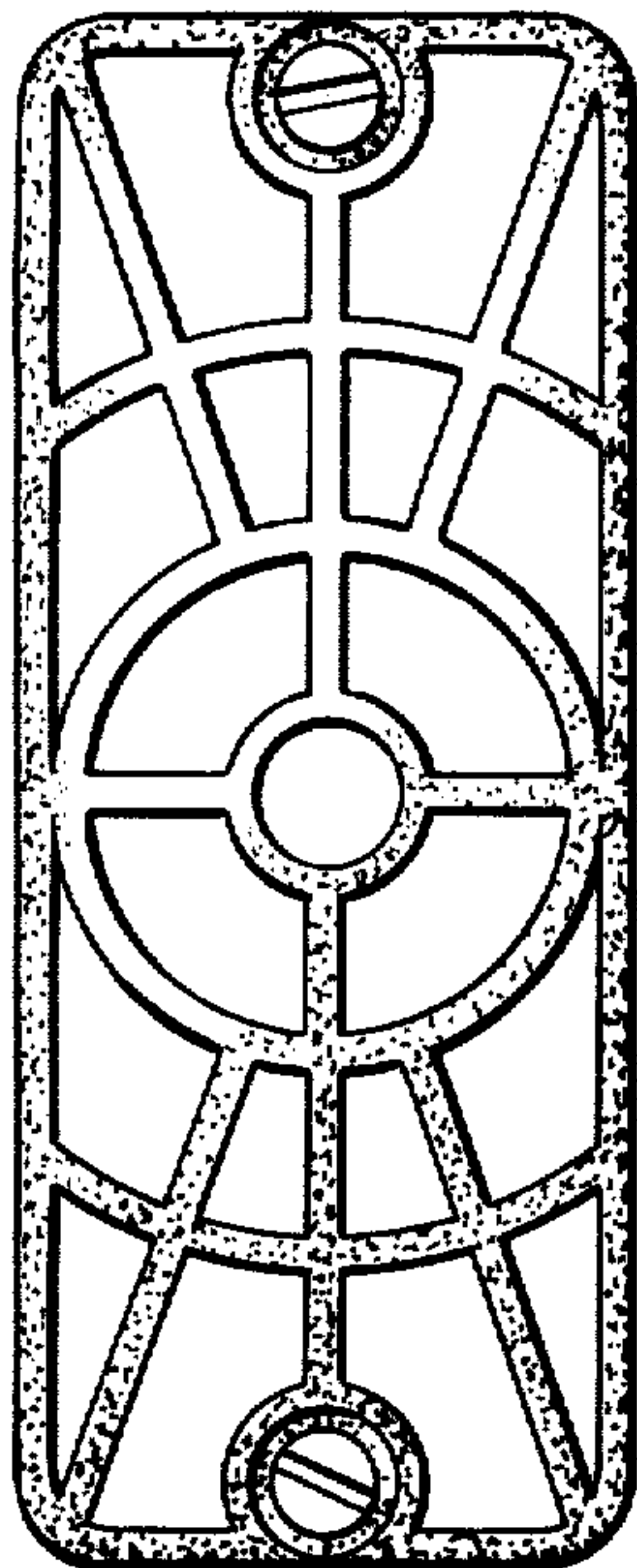


Fig. 9.

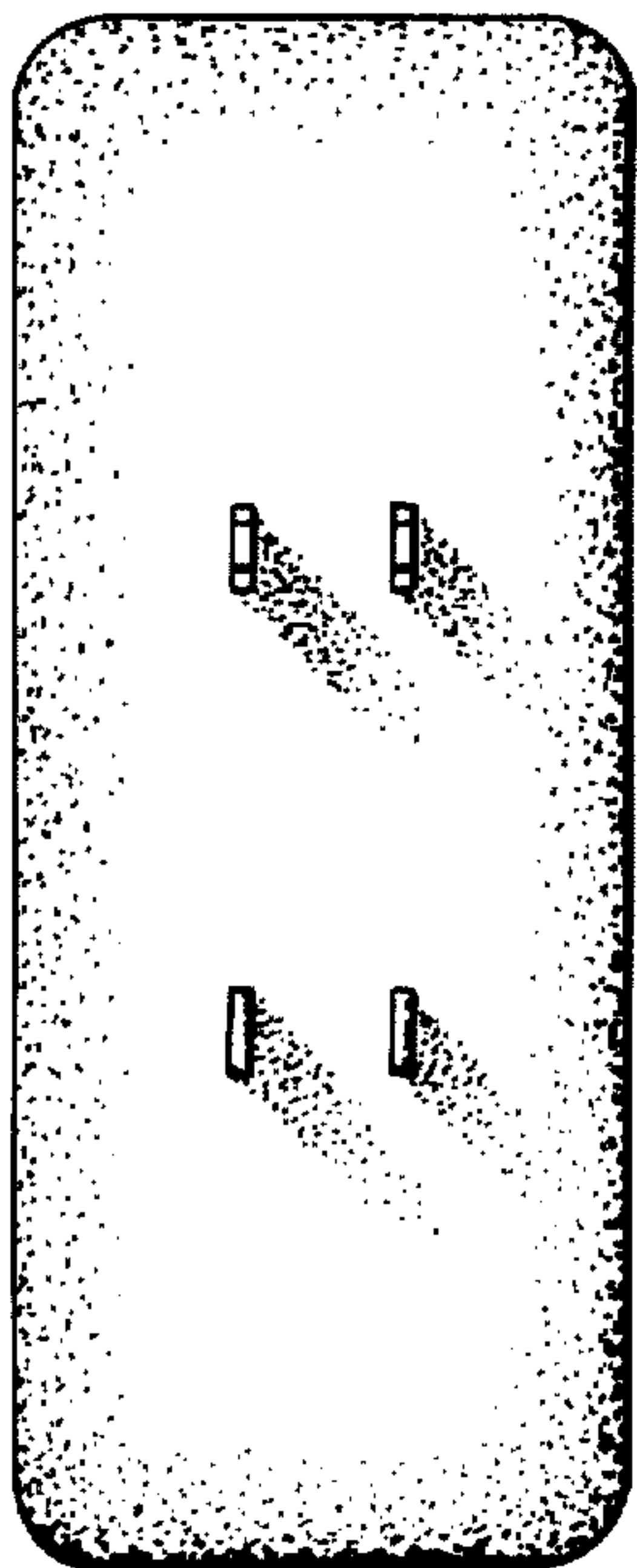


Fig. 10.

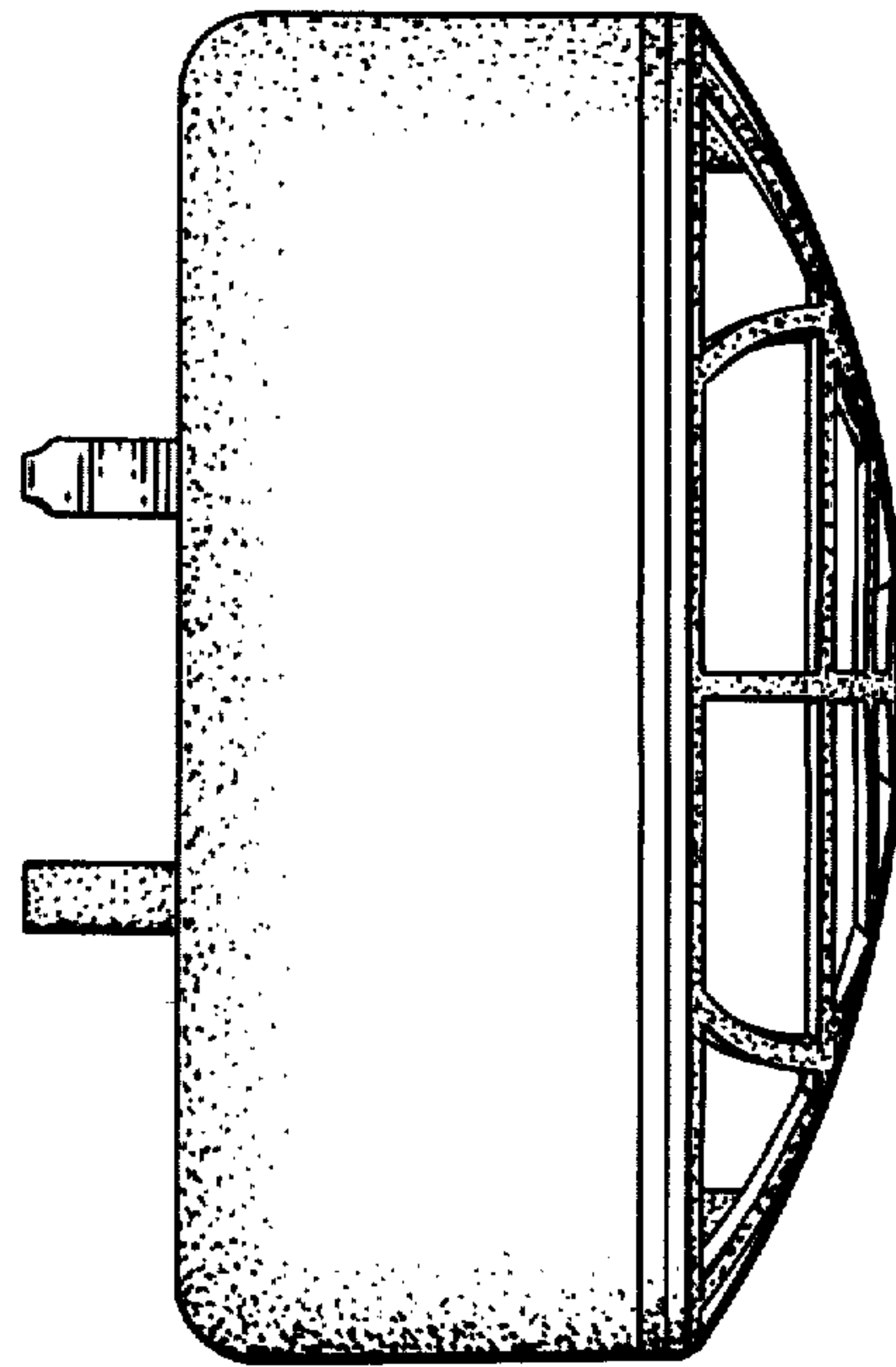


Fig. 12.