

[54] **ELECTRONIC DIE**

3,709,499 1/1973 Lukens, Jr. 273/138 A
3,834,710 9/1974 Sousan .

[76] Inventor: **Ian C. McKechnie**, 8524 N. 50th Pl.,
Scottsdale, Ariz. 85253

OTHER PUBLICATIONS

Popular Electronics, Sep. 1967, p. 29, electronic dice.

[**] Term: **14 Years**

Primary Examiner—Melvin B. Feifer

[21] Appl. No.: **303,145**

Attorney, Agent, or Firm—Warren F. B. Lindsley

[22] Filed: **Sep. 17, 1981**

[57] **CLAIM**

[51] Int. Cl. **D21-01**

The ornamental design for the electronic die, as shown
and described.

[52] U.S. Cl. **D21/41**

[58] Field of Search **D21/41, 13; 273/138 A**

DESCRIPTION

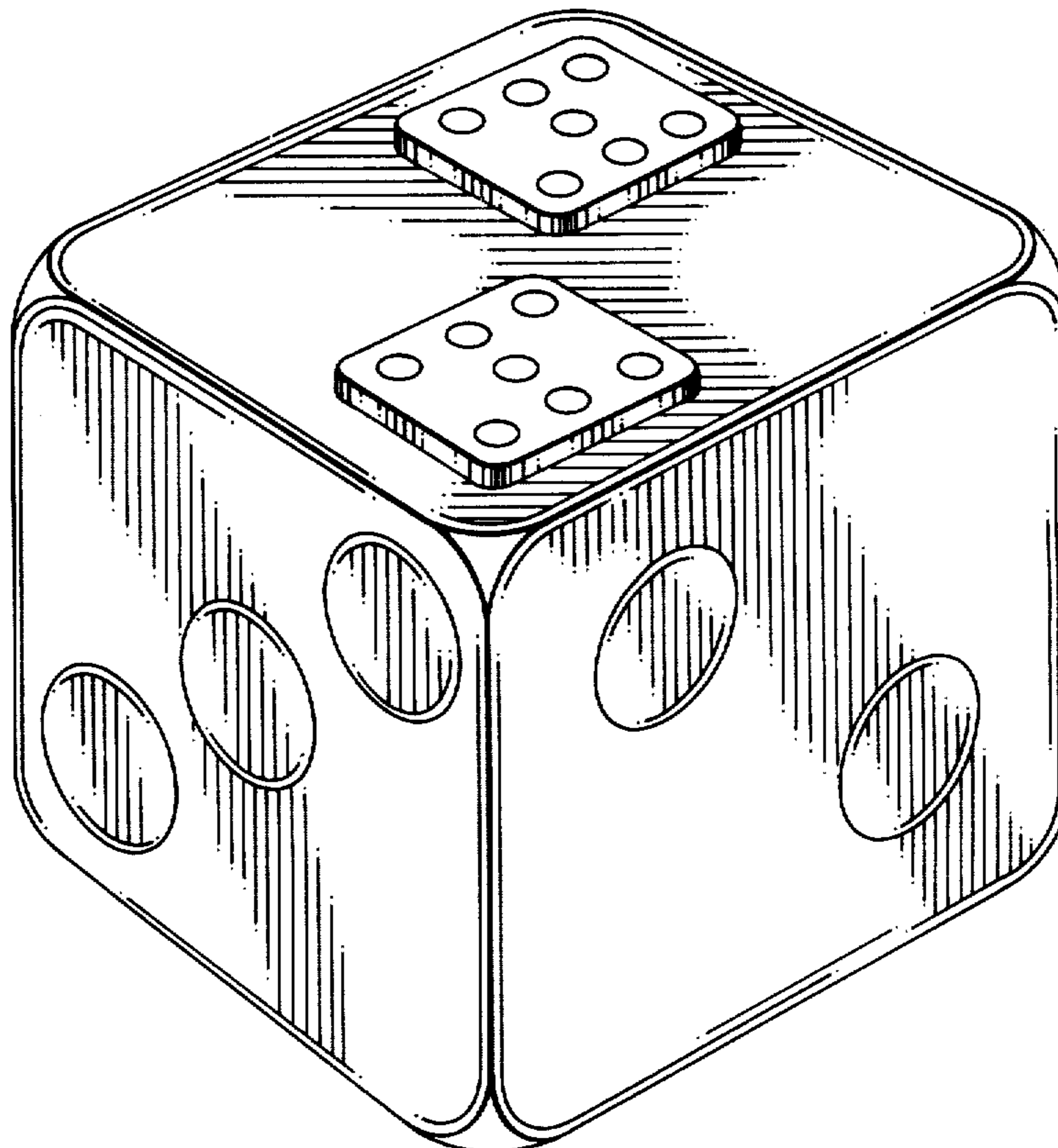
[56] **References Cited**

FIG. 1 is a partial perspective view of the top and two
sides of the electronic die embodying my new design;
and

U.S. PATENT DOCUMENTS

FIG. 2 is a perspective view of the other sides and
bottom of the die shown in FIG. 1.

- D. 220,503 4/1971 Church D21/41
- D. 258,600 3/1981 Case D21/41
- 3,459,427 8/1969 Rhodes 273/138 A



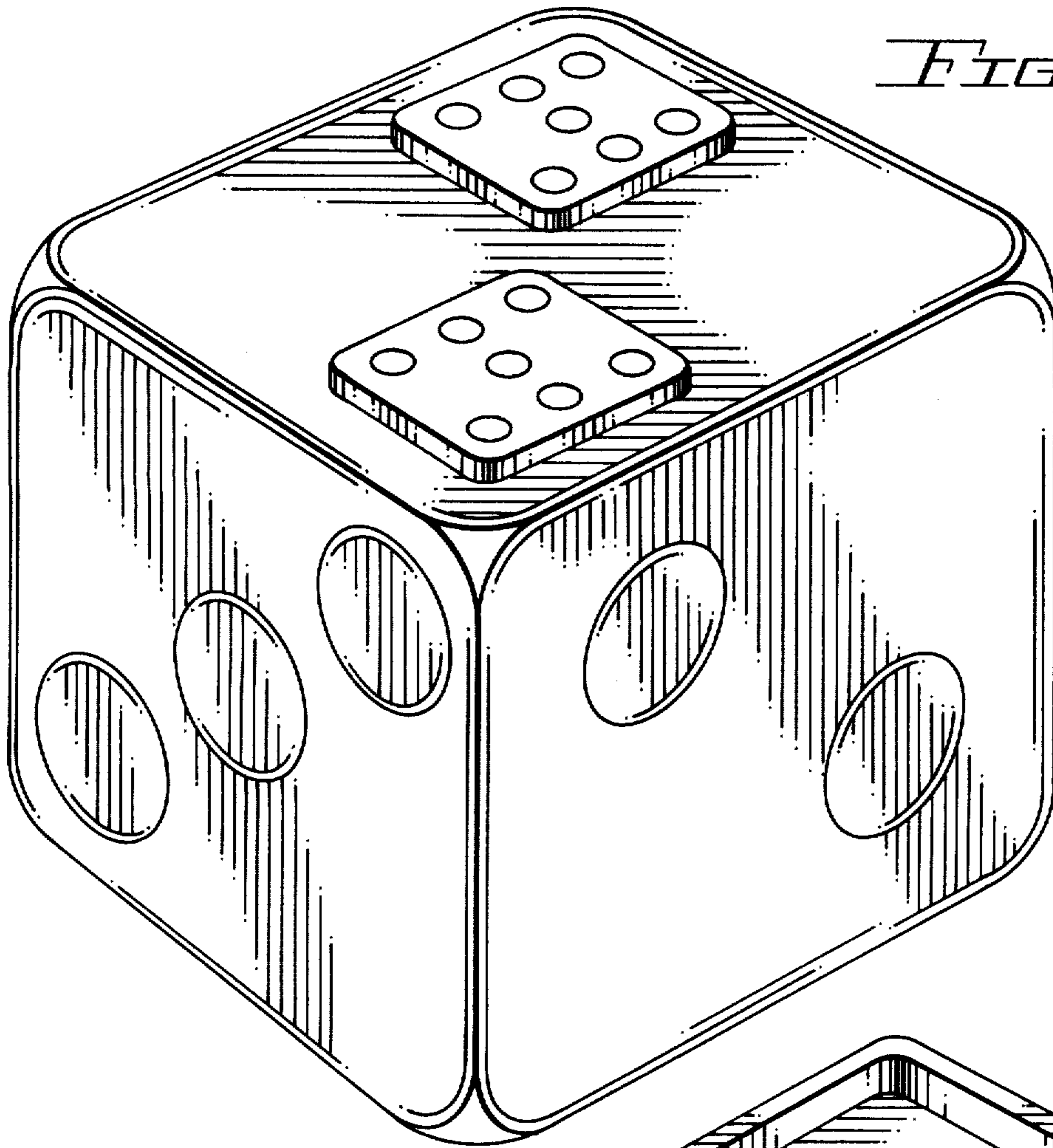


FIG. 1

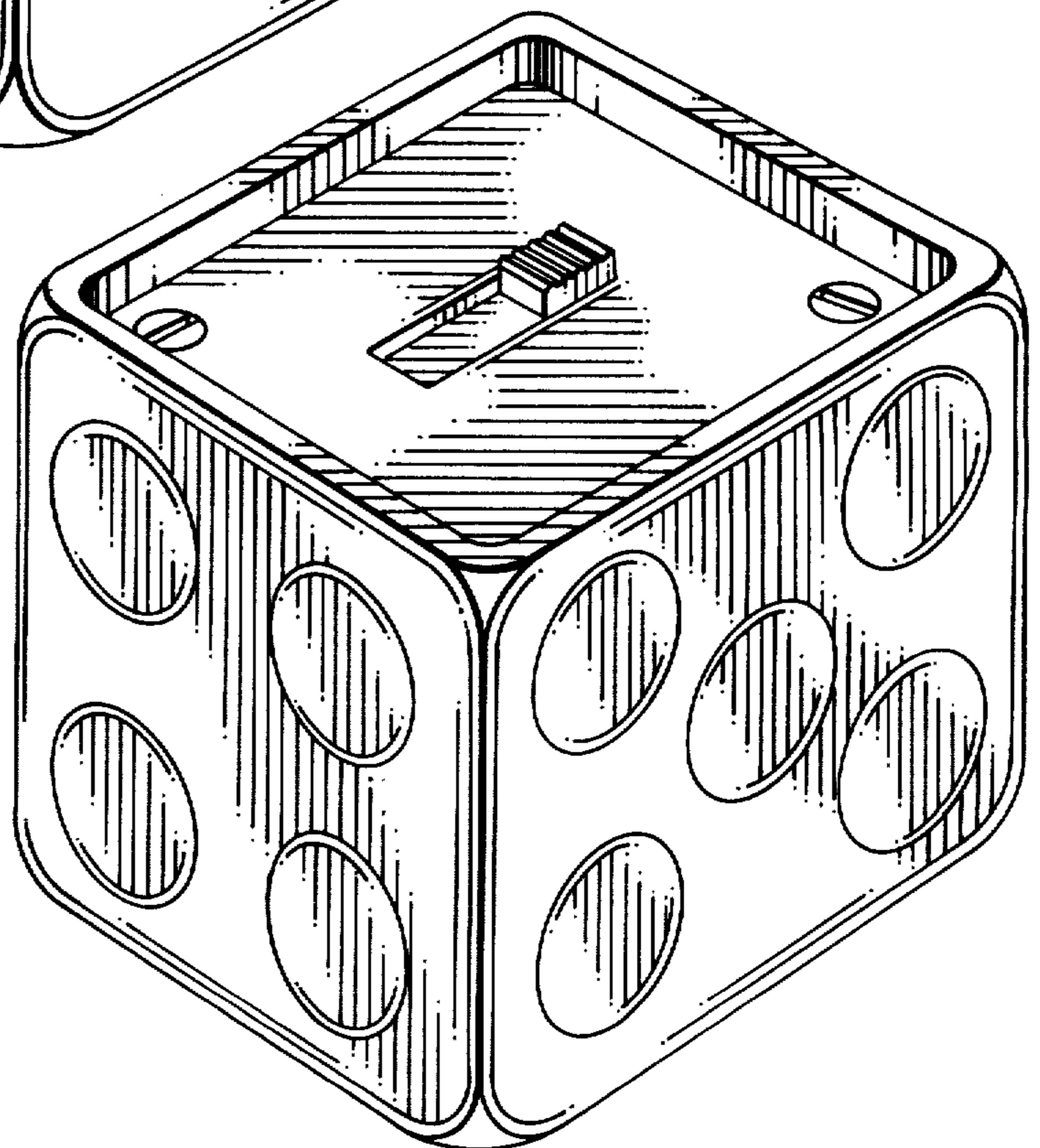


FIG. 2