

[54] **CHASSIS FOR A CONCRETE CURB FORMING MACHINE**

[75] Inventor: **Peter F. Andrews**, Castle Hill, Australia

[73] Assignee: **Fowlerex Pty. Limited**, Artarmon, Australia

[\*\*] Term: **14 Years**

[21] Appl. No.: **196,254**

[22] Filed: **Oct. 10, 1980**

[30] **Foreign Application Priority Data**  
Apr. 10, 1980 [AU] Australia ..... 80692

[51] Int. Cl. .... **D15-09**  
[52] U.S. Cl. .... **D15/141; D15/135**  
[58] Field of Search ..... **D15/135, 122, 199, 138, D15/141; 249/2; 425/62**

[56] **References Cited**  
**U.S. PATENT DOCUMENTS**

3,363,524 1/1968 Catenacci ..... 425/62  
3,600,773 8/1971 Davis et al. .... 249/2

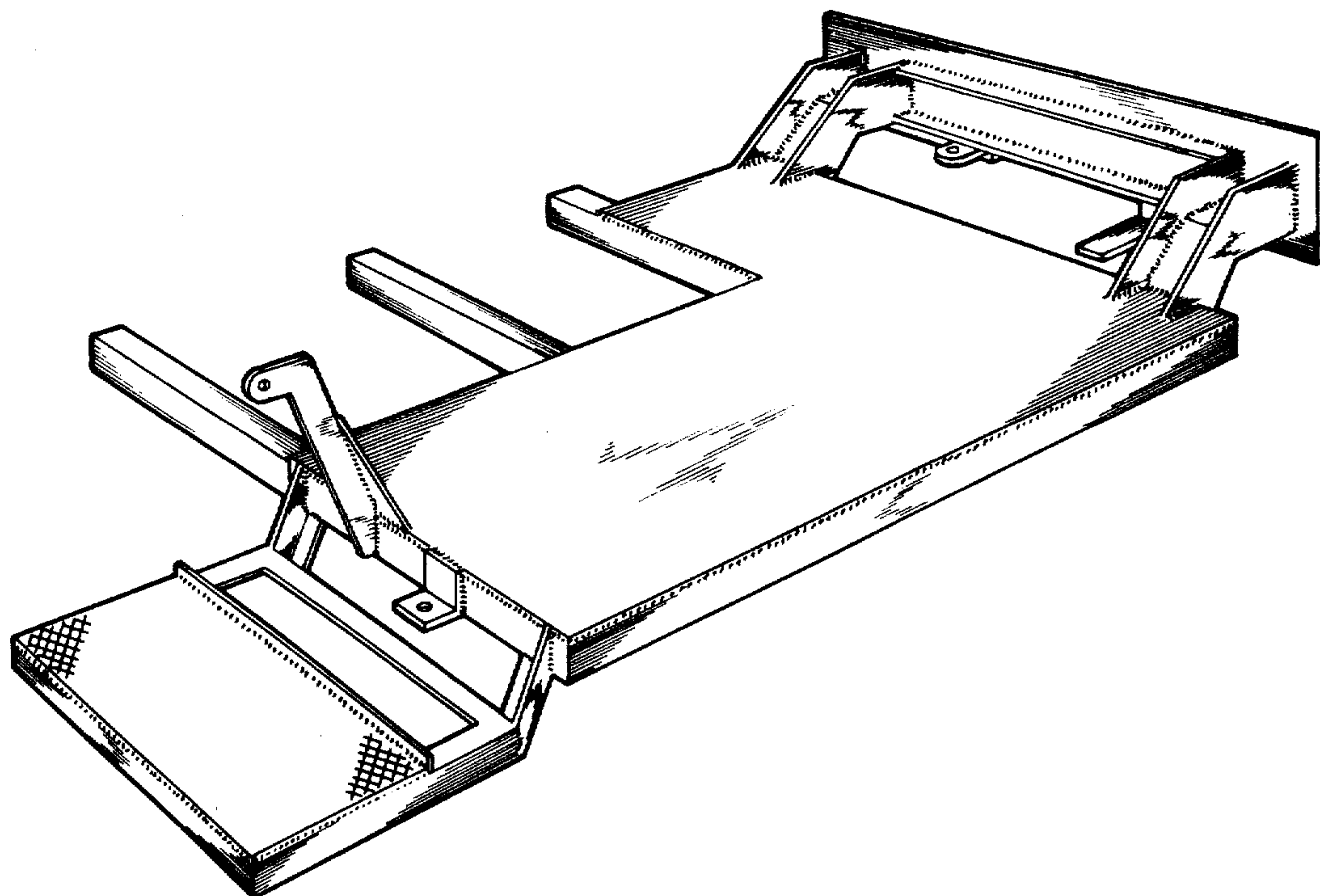
*Primary Examiner*—B. J. Bullock  
*Attorney, Agent, or Firm*—Vaden, Eickenroht, Thompson, Bednar & Jamison

[57] **CLAIM**

The ornamental design for a chassis for a concrete curb forming machine, as shown and described.

**DESCRIPTION**

FIG. 1 is a perspective view of a chassis for a concrete curb forming machine according to my new design; FIG. 2 is a top plan view thereof; FIG. 3 is a side elevational view taken from the bottom of FIG. 2; FIG. 4 is a side elevational view taken from the top of FIG. 2; FIG. 5 is a front elevational view thereof; FIG. 6 is a rear elevational view thereof; FIG. 7 is a bottom plan view thereof.



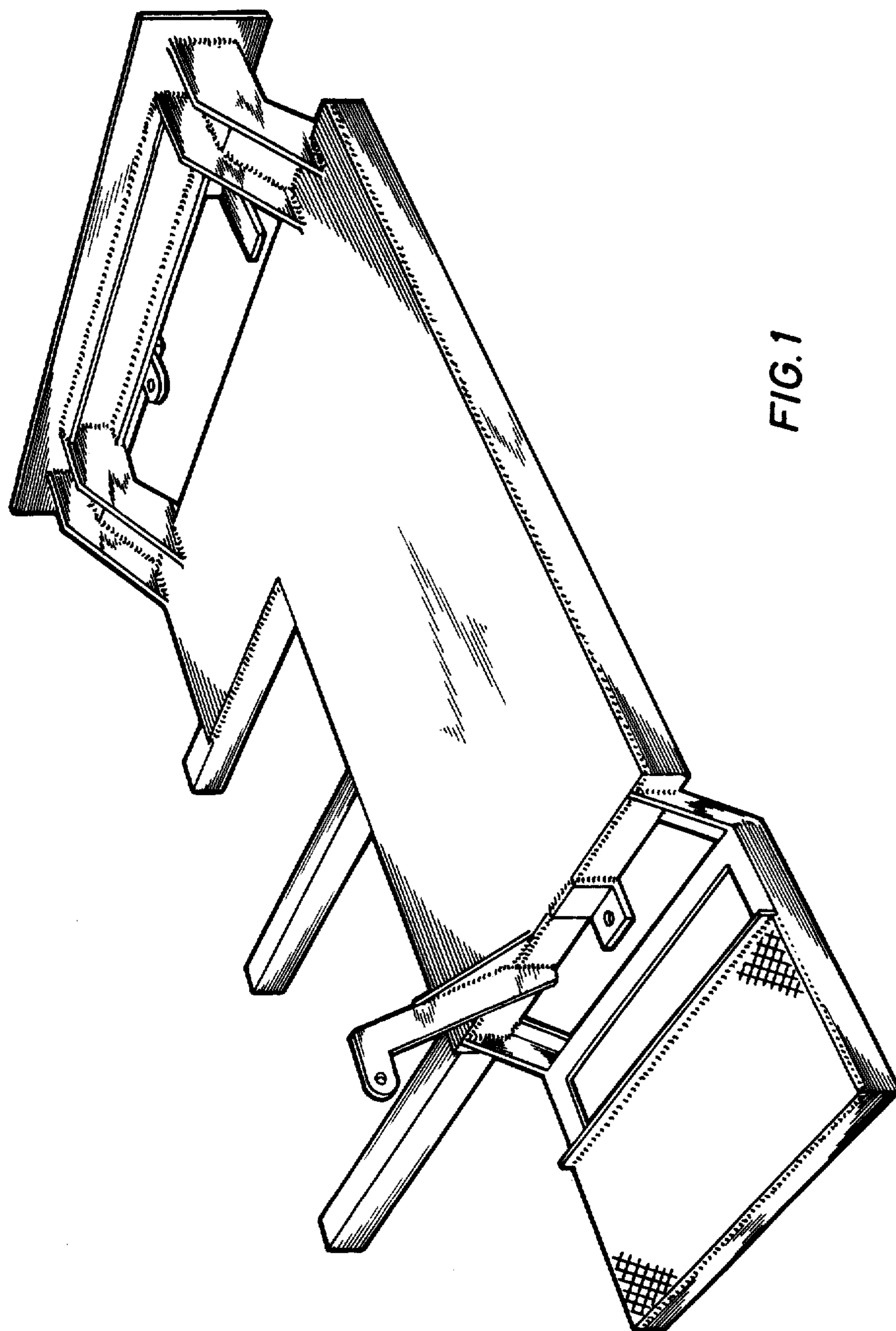


FIG. 1

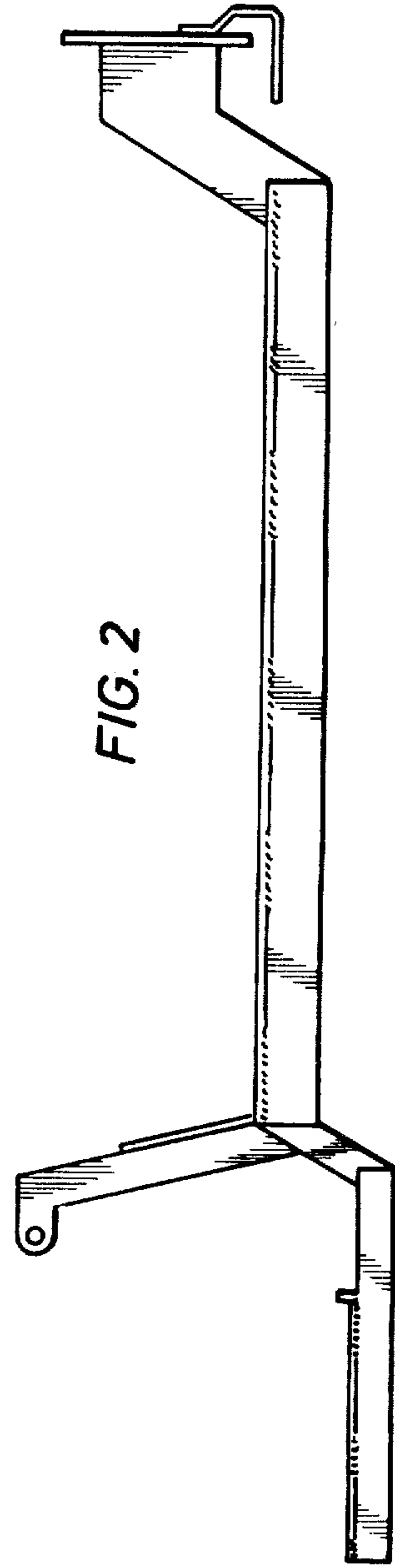
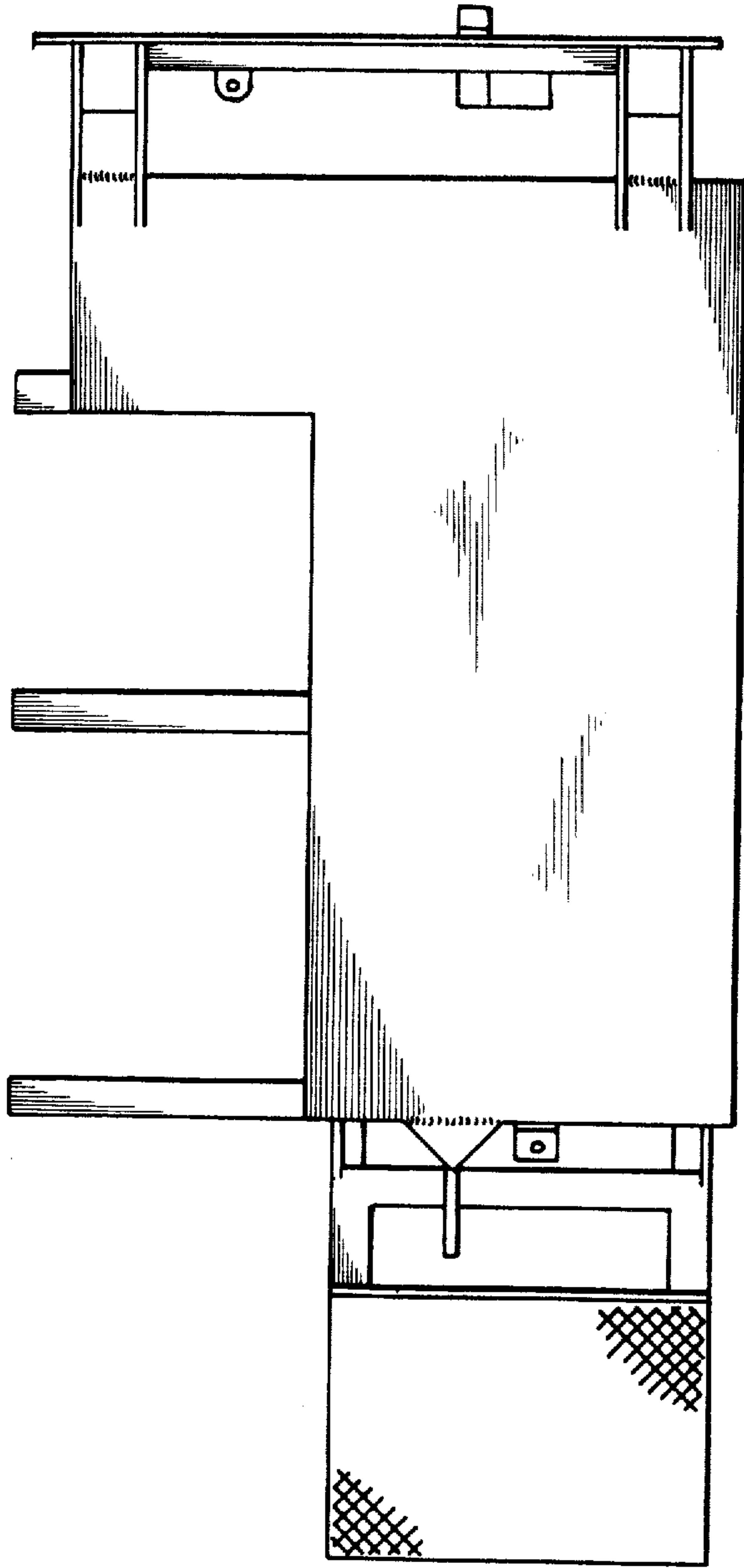


FIG. 2

FIG. 3

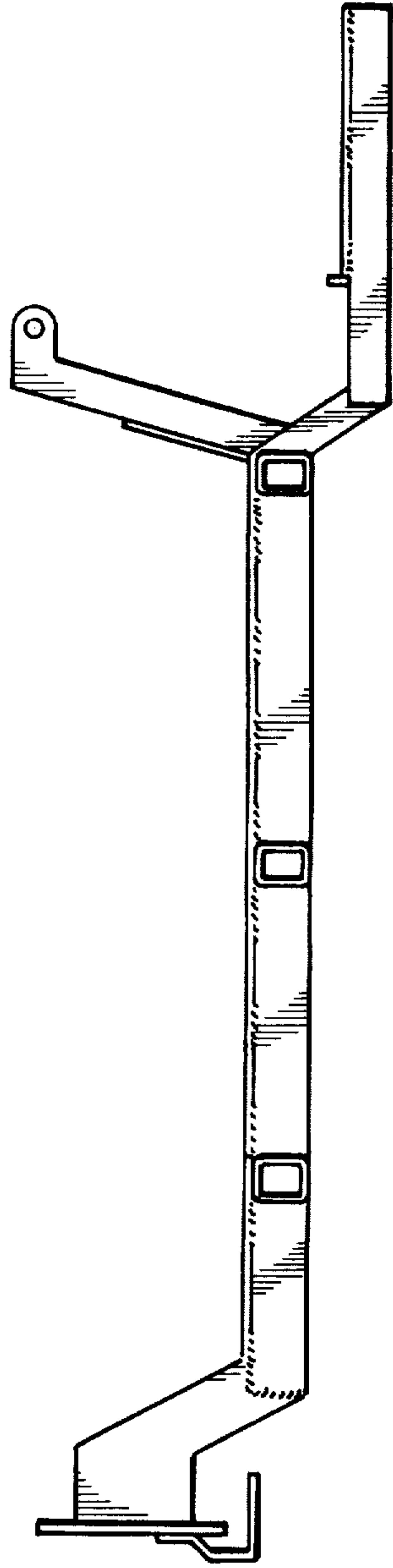


FIG. 4

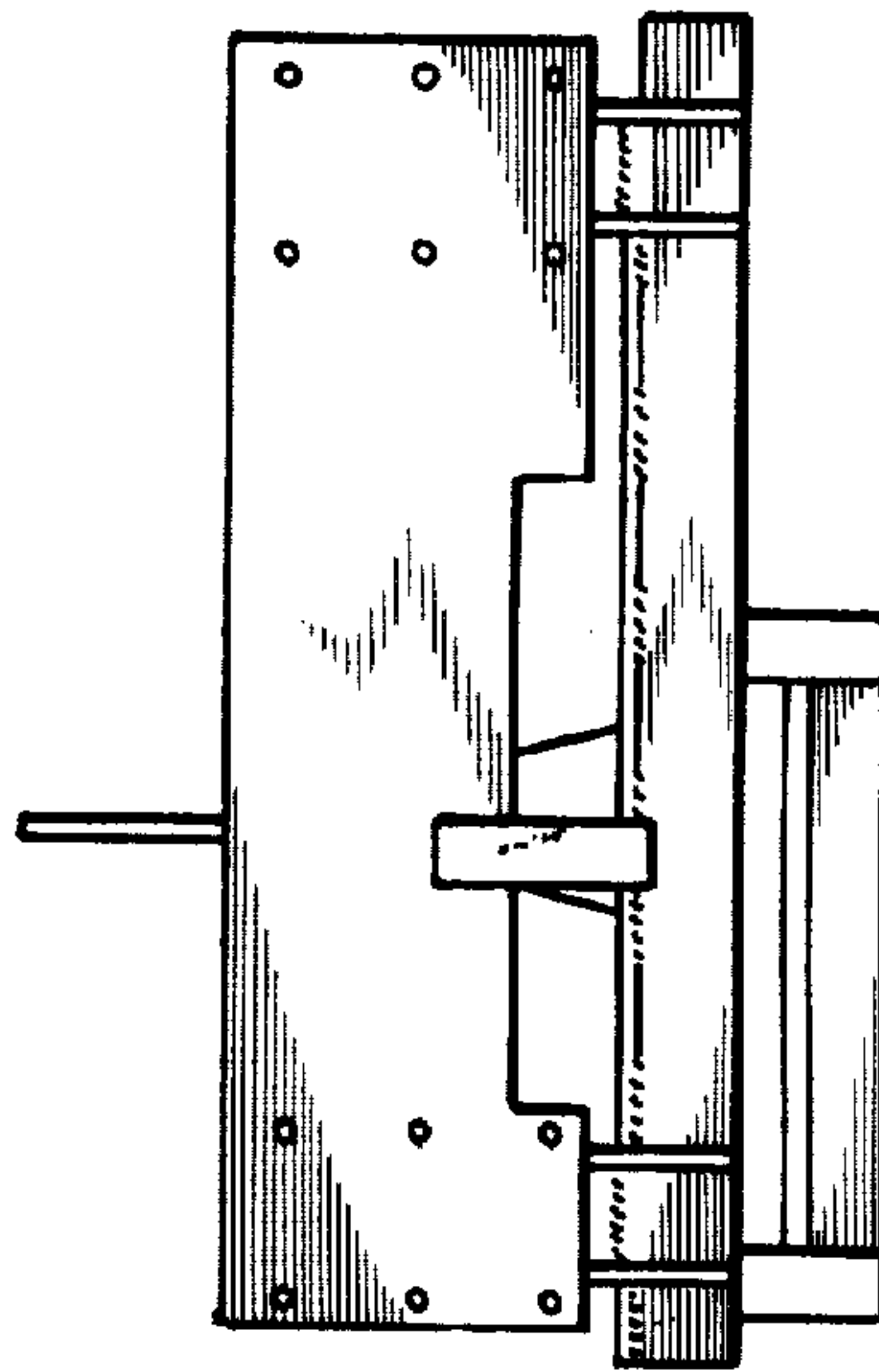


FIG. 5

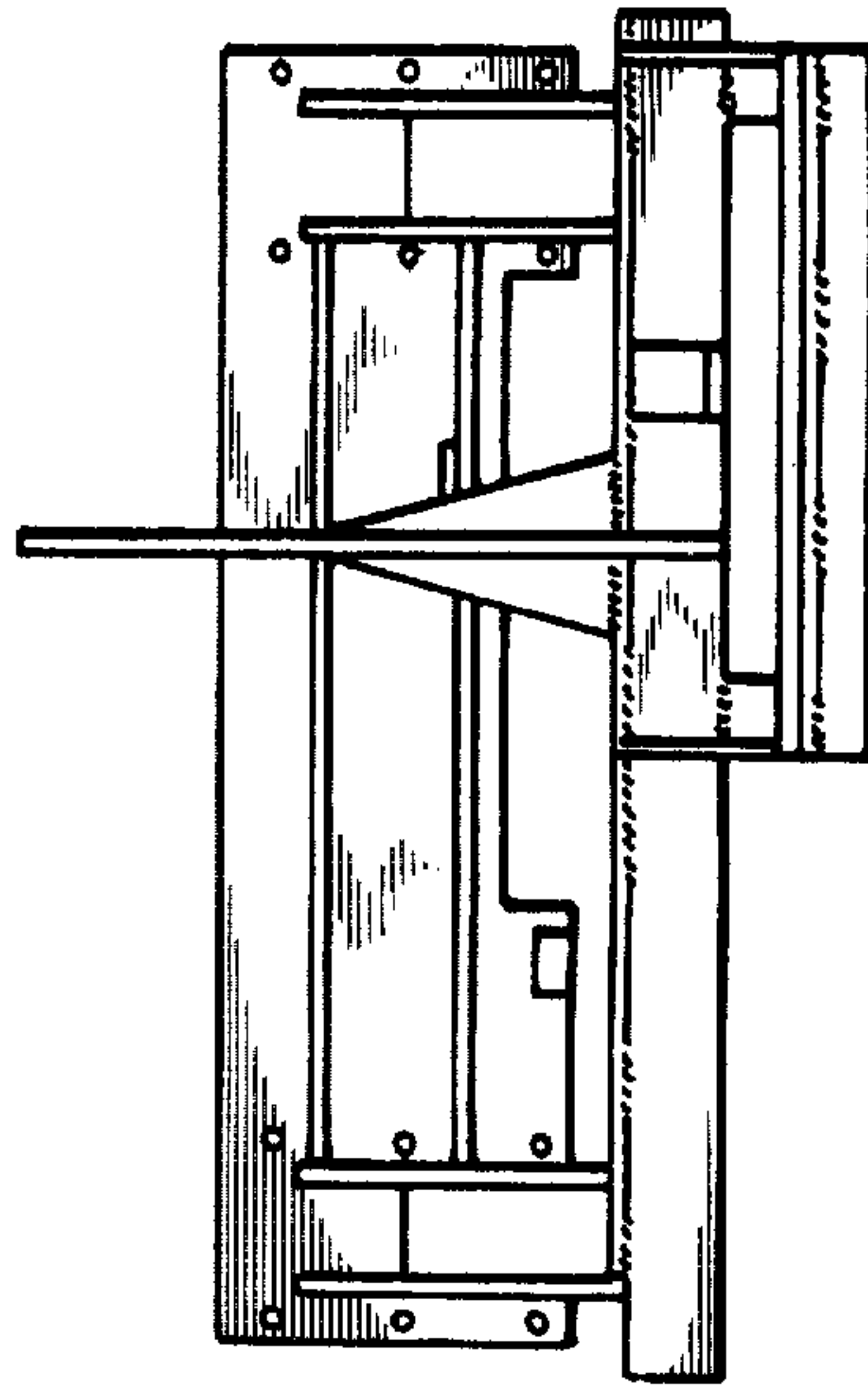


FIG. 6

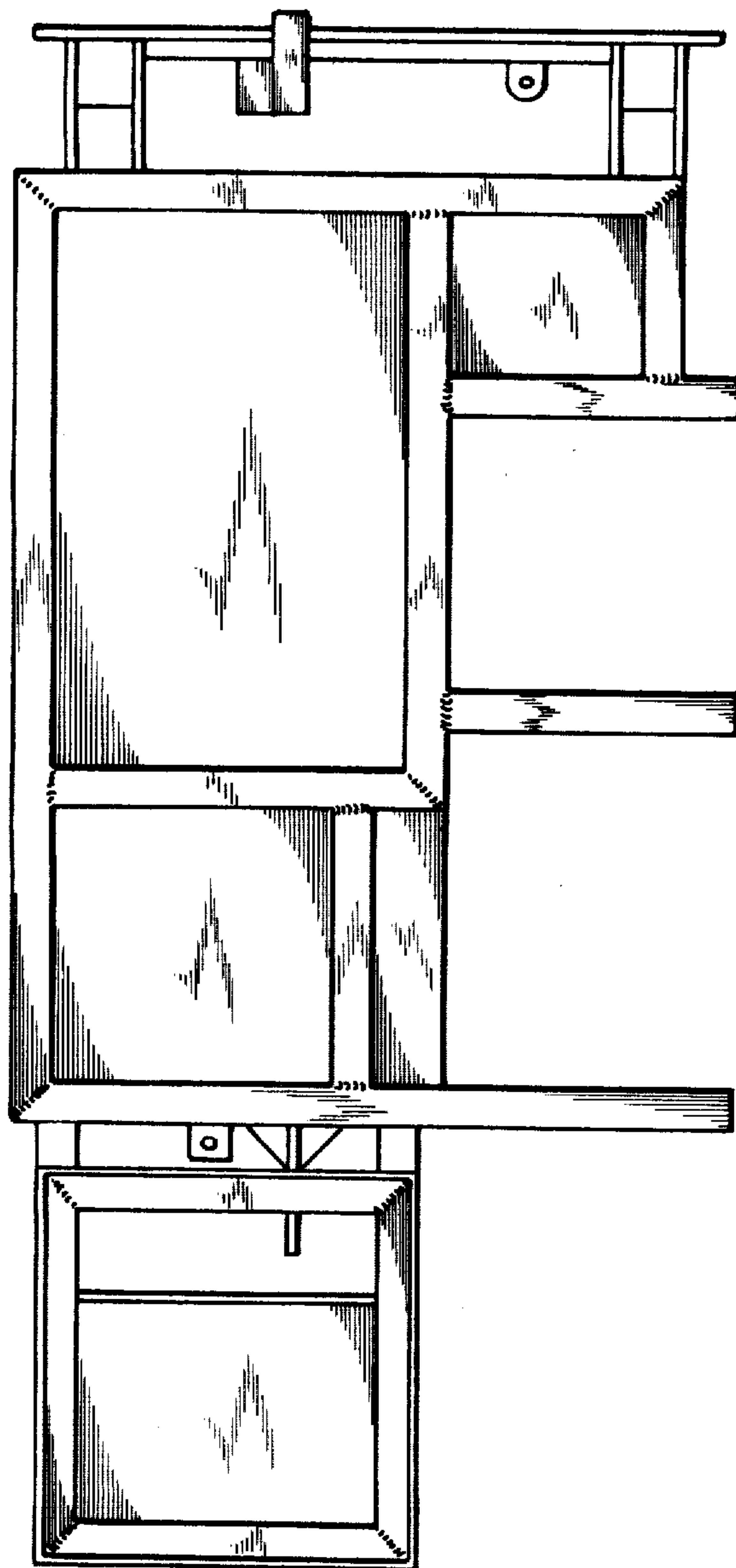


FIG. 7