

[54] DUCTING FOR ELECTRIC CABLES

[75] Inventor: Julio Rodriguez Moura, Madrid, Spain

[73] Assignee: Aparellaje Electrico, S.A., Barcelona, Spain

[**] Term: 14 Years

[21] Appl. No.: 178,141

[22] Filed: Aug. 14, 1980

[30] Foreign Application Priority Data
Feb. 29, 1980 [ES] Spain 96.420

[51] Int. Cl. D13-03

[52] U.S. Cl. D13/13

[58] Field of Search D13/12, 13; 174/48, 174/72 A, 68 R, 68 C, 73 R, 74 R, 74 A, 76, 77, 82, 93, 98, 101; 138/156, 151

[56] References Cited

U.S. PATENT DOCUMENTS

2,087,640	7/1937	Du Prey	174/101
3,312,251	4/1967	Marks et al.	174/68 C
3,459,234	8/1969	Richter et al.	138/156 X
3,697,667	10/1972	Pollak et al.	174/68 C

Primary Examiner—Susan J. Lucas
Attorney, Agent, or Firm—Dressler, Goldsmith, Shore, Sutker & Milnamow, Ltd.

[57] CLAIM

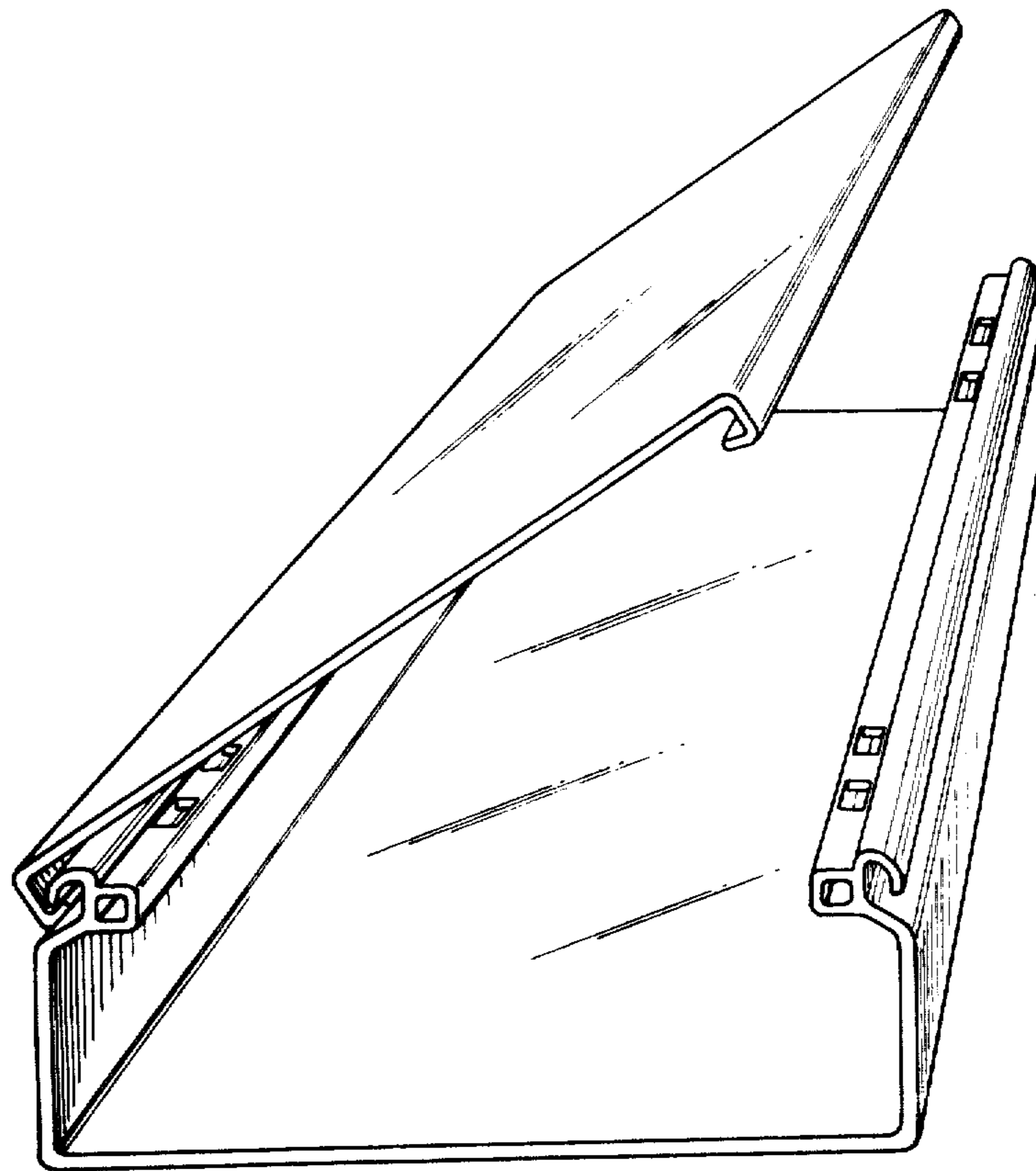
The ornamental design for ducting for electric cables, as shown and described.

DESCRIPTION

FIG. 1 is a perspective view of the ducting for electric cables showing my new design, the cover being partially opened;

FIG. 2 is a side elevational view thereof, the cover being closed.

The bottom of the ducting is flat and unornamented.



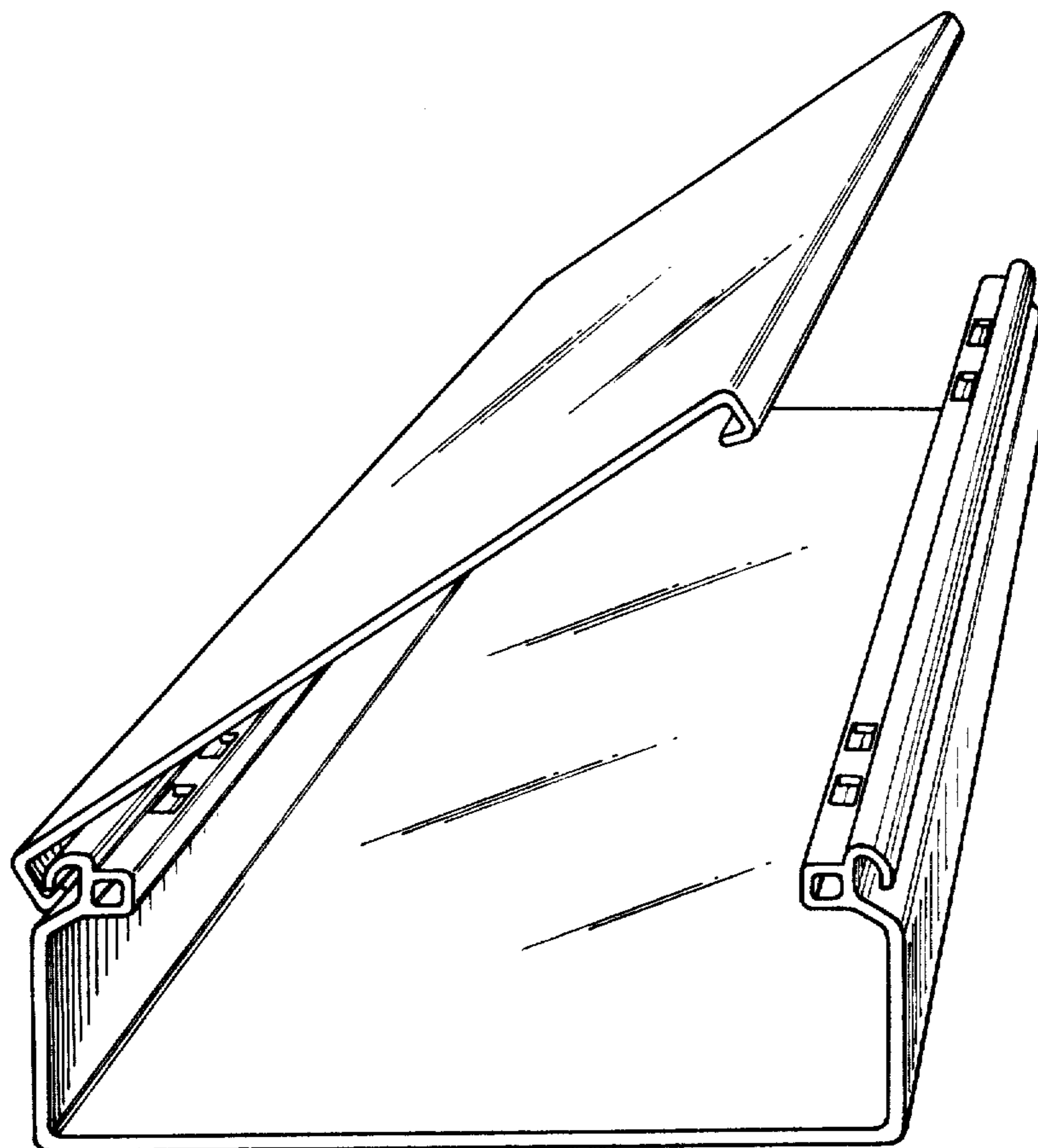
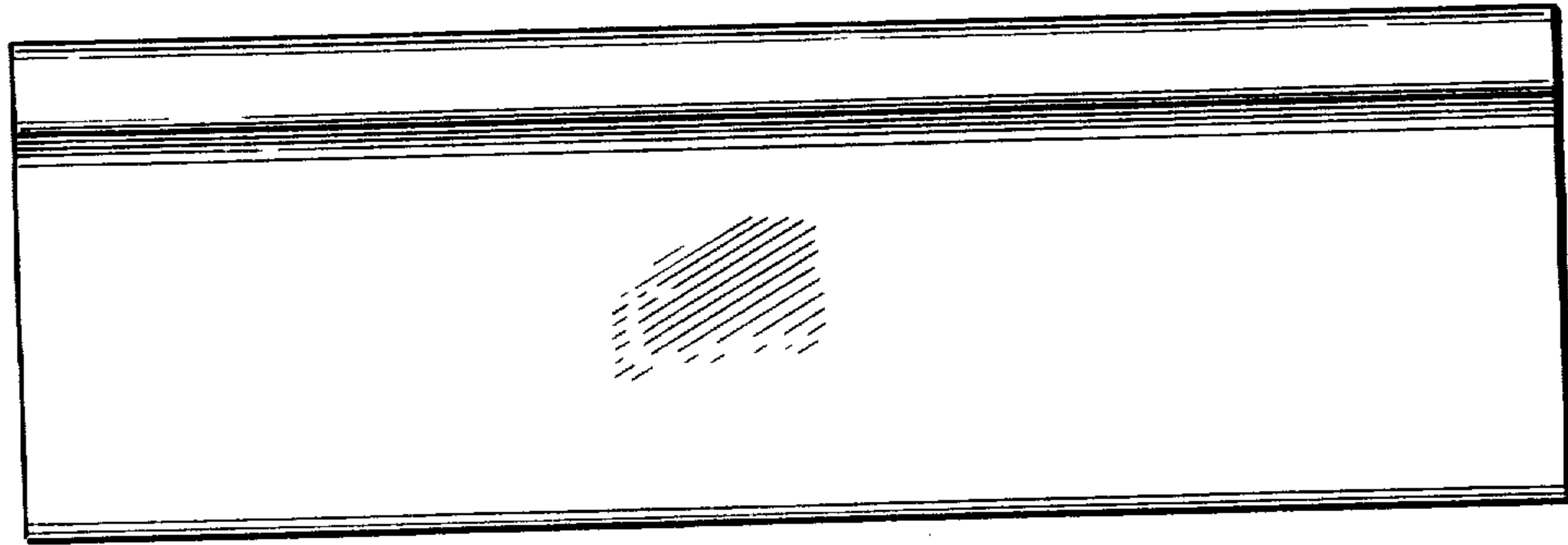


FIG. 2



UNITED STATES PATENT AND TRADEMARK OFFICE
CERTIFICATE OF CORRECTION

PATENT NO. : Des. 269,968
DATED : August 2, 1983
INVENTOR(S) : Julio Rodriguez de Moura

It is certified that error appears in the above-identified patent and that said Letters Patent is hereby corrected as shown below:

The inventor's name should read --Julio Rodriguez de Moura--.

Signed and Sealed this

Twenty-seventh **Day of** *December* 1983

[SEAL]

Attest:

GERALD J. MOSSINGHOFF

Attesting Officer

Commissioner of Patents and Trademarks