

[54] DOOR PANEL

[76] Inventor: Bruno E. Urban, 520 S. Courtland, Park Ridge, Ill. 60068

[**] Term: 14 Years

[21] Appl. No.: 211,140

[22] Filed: Nov. 28, 1980

[51] Int. Cl. D12-16

[52] U.S. Cl. D12/195

[58] Field of Search D3/40, 48, 74, 77, 99, D3/52, 53; 296/149, 37.13, 37.8; D12/195

[56] References Cited

U.S. PATENT DOCUMENTS

- D. 127,601 6/1941 Hunziker D3/48
- 1,518,672 12/1924 O'Connell 296/37.13
- 1,523,323 1/1925 Wensinger 296/37.13

FOREIGN PATENT DOCUMENTS

- 1305189 1/1973 United Kingdom D3/40

OTHER PUBLICATIONS

Austin Healey, Sprite Brochure.
Morris Motors, Morris 850 Brochure.

Primary Examiner—Wallace R. Burke
Assistant Examiner—Horace B. Fay, Jr.
Attorney, Agent, or Firm—Hume, Clement, Brinks, Willian & Olds, Ltd.

[57] CLAIM

The ornamental design for a vehicle door panel, substantially as shown and described.

DESCRIPTION

FIG. 1 shows a perspective view of a first preferred embodiment of the interior, vehicle door panel of this invention. The back of this panel (not shown) is substantially planar and is not ornamented.

FIG. 2 shows a front view of the vehicle door panel of FIG. 1.

FIG. 3 shows a front view of a second preferred embodiment of the vehicle door panel of this invention. This second preferred embodiment is substantially a mirror image reversal of the first preferred embodiment shown in FIGS. 1 and 2.

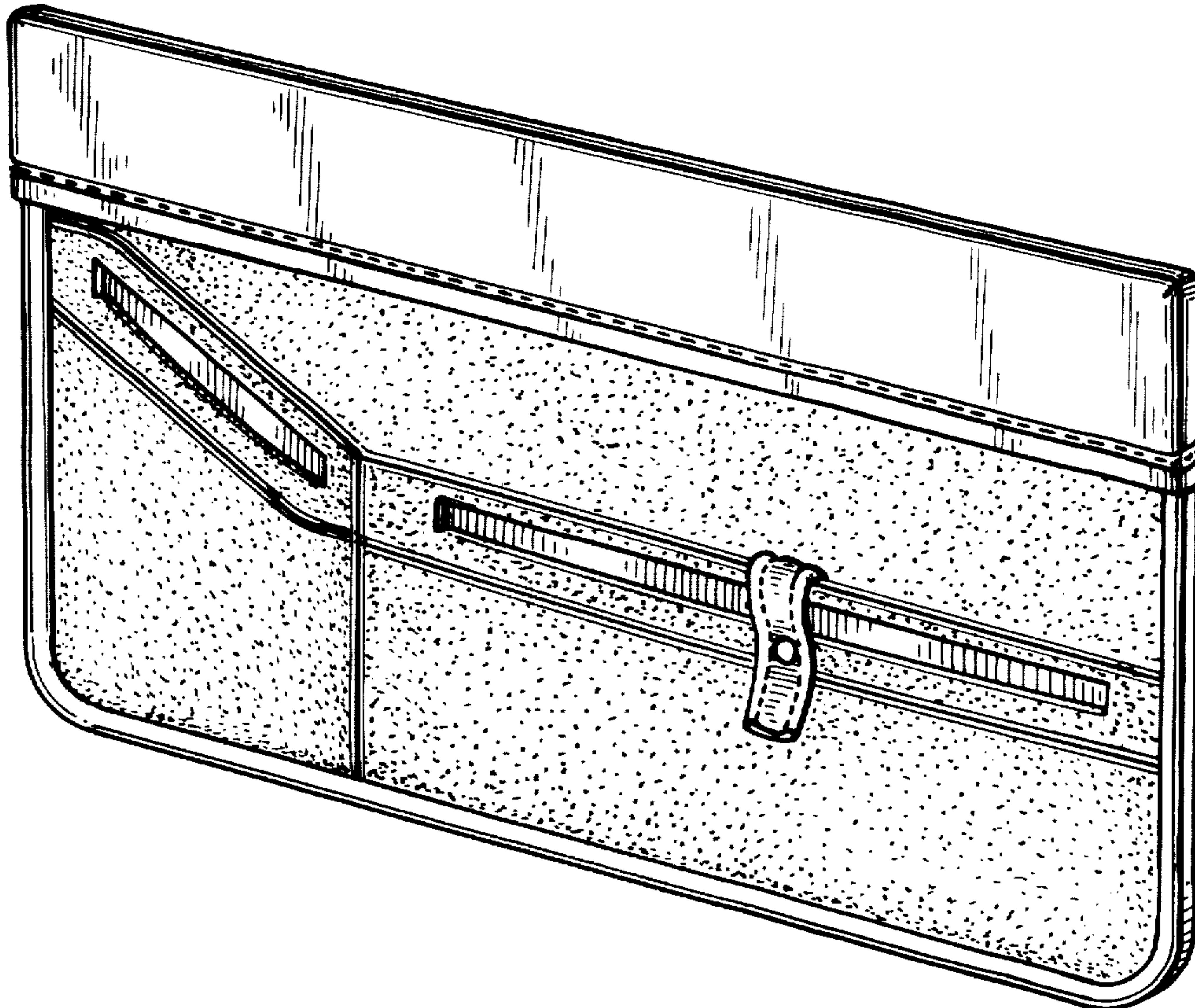


FIG. 1

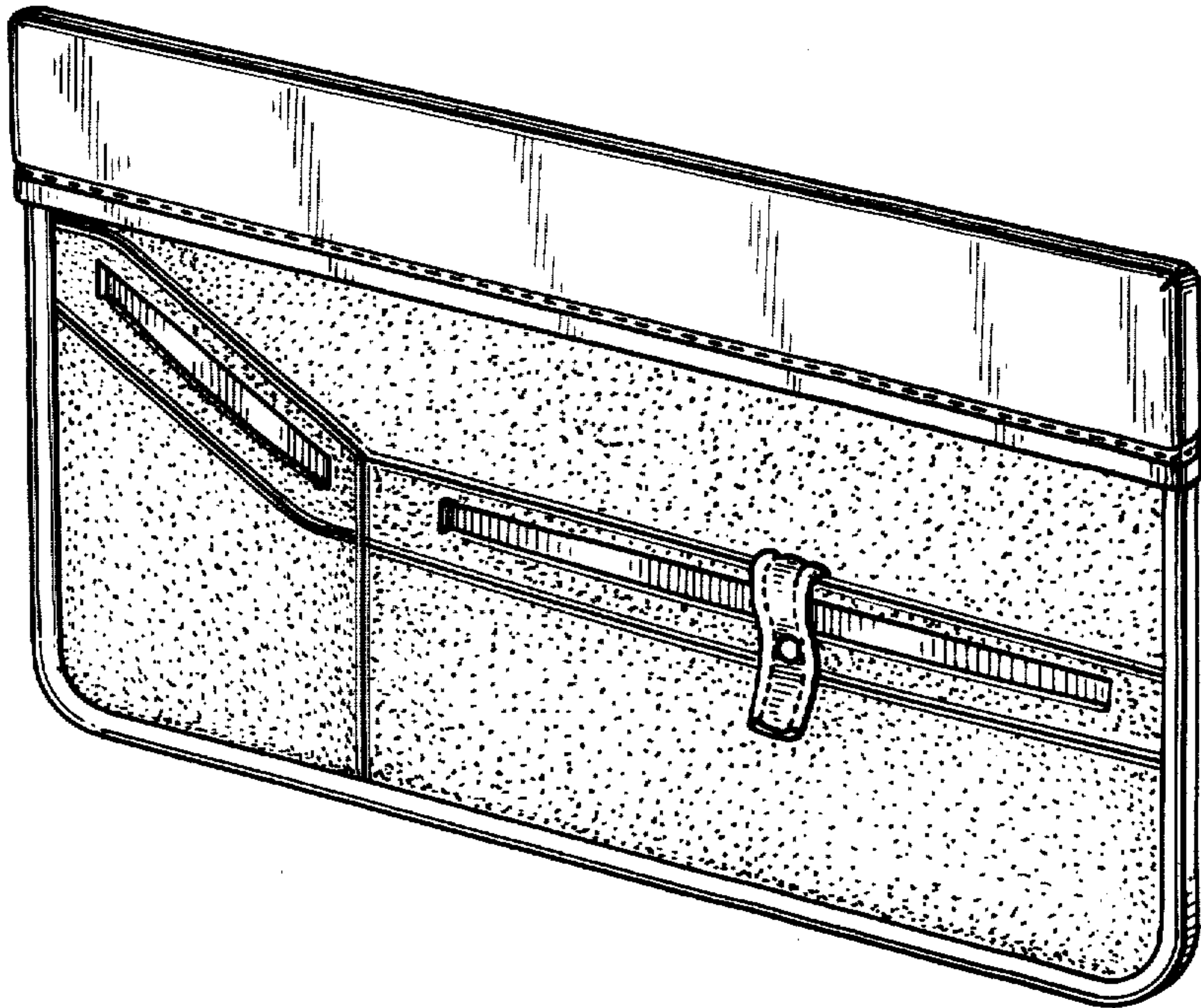


FIG. 2

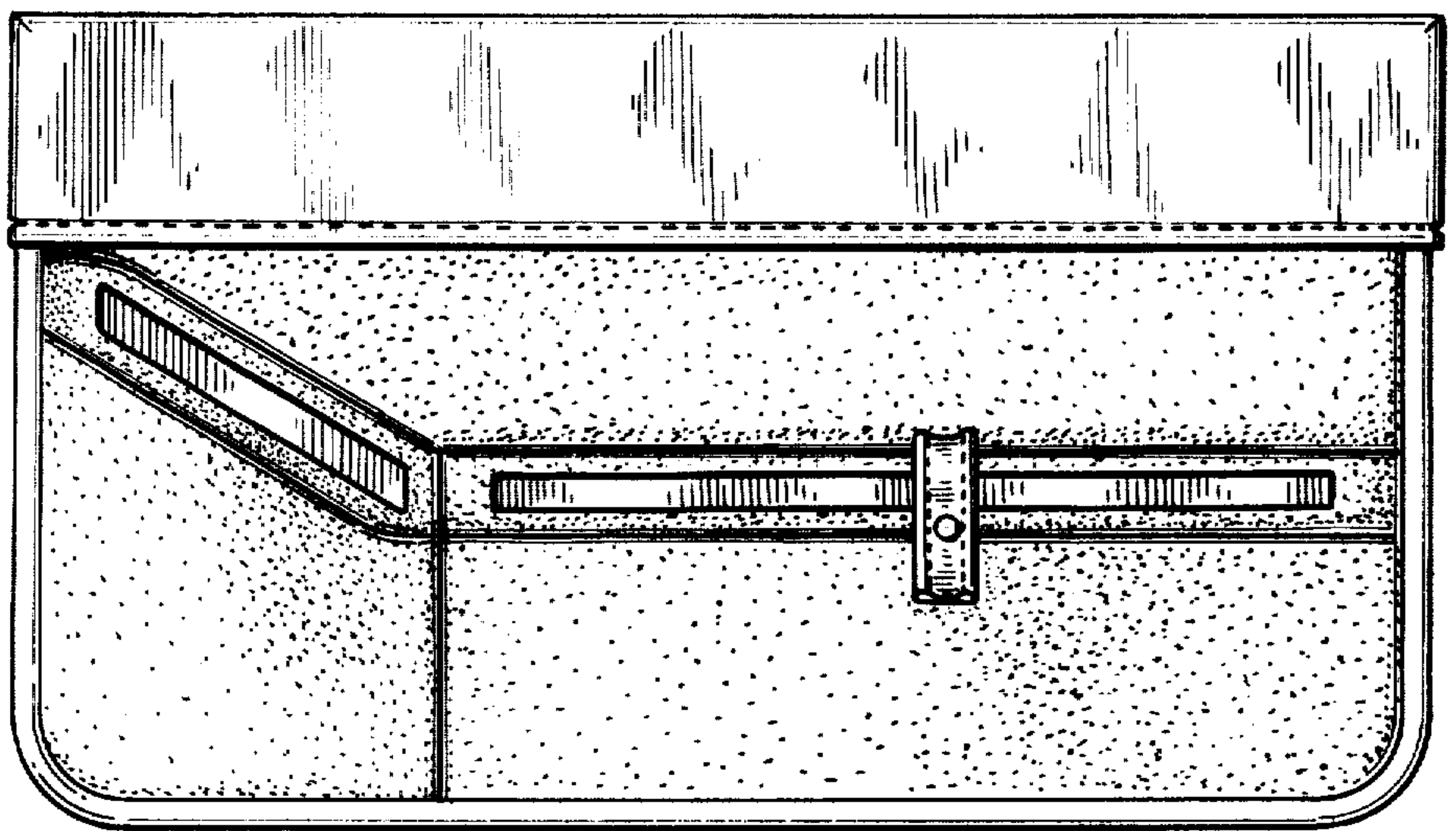


FIG. 3

