

[54] **TRAILER FOR A MOTORCYCLE OR THE LIKE**

[75] **Inventor: Denny B. Law, San Marcos, Calif.**

[73] **Assignee: Unique Functional Products, San Marcos, Calif.**

[\*\*] **Term: 14 Years**

[21] **Appl. No.: 254,897**

[22] **Filed: Apr. 16, 1981**

[51] **Int. Cl. .... D12-10**

[52] **U.S. Cl. .... D12/101**

[58] **Field of Search ..... D12/101; 280/800, 400; 414/495**

[56]

**References Cited**

**U.S. PATENT DOCUMENTS**

D. 228,749 10/1973 Swensson ..... D12/101  
3,817,556 6/1974 Nyman ..... 280/400

*Primary Examiner*—James M. Gandy  
*Attorney, Agent, or Firm*—Duane C. Bowen

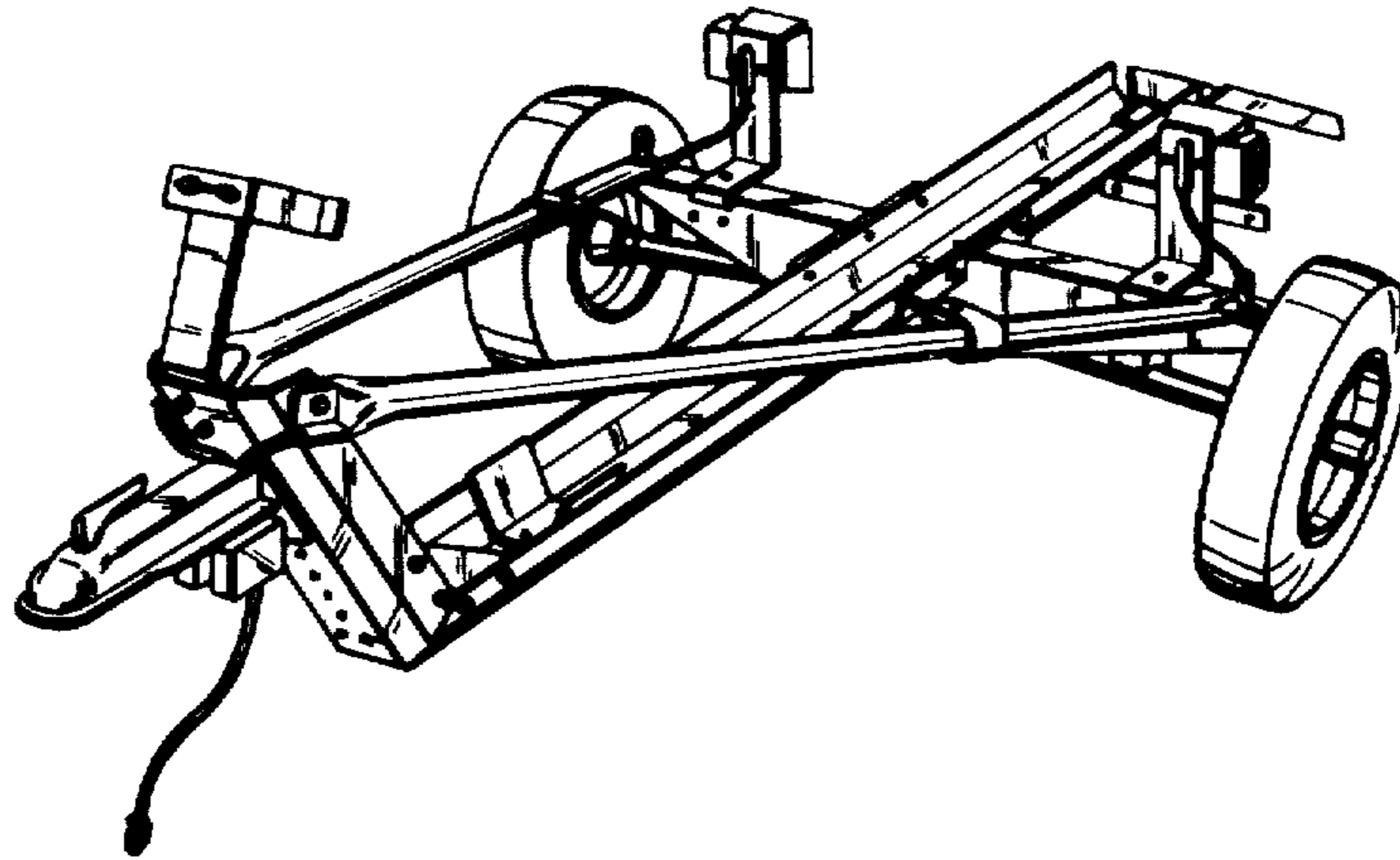
[57]

**CLAIM**

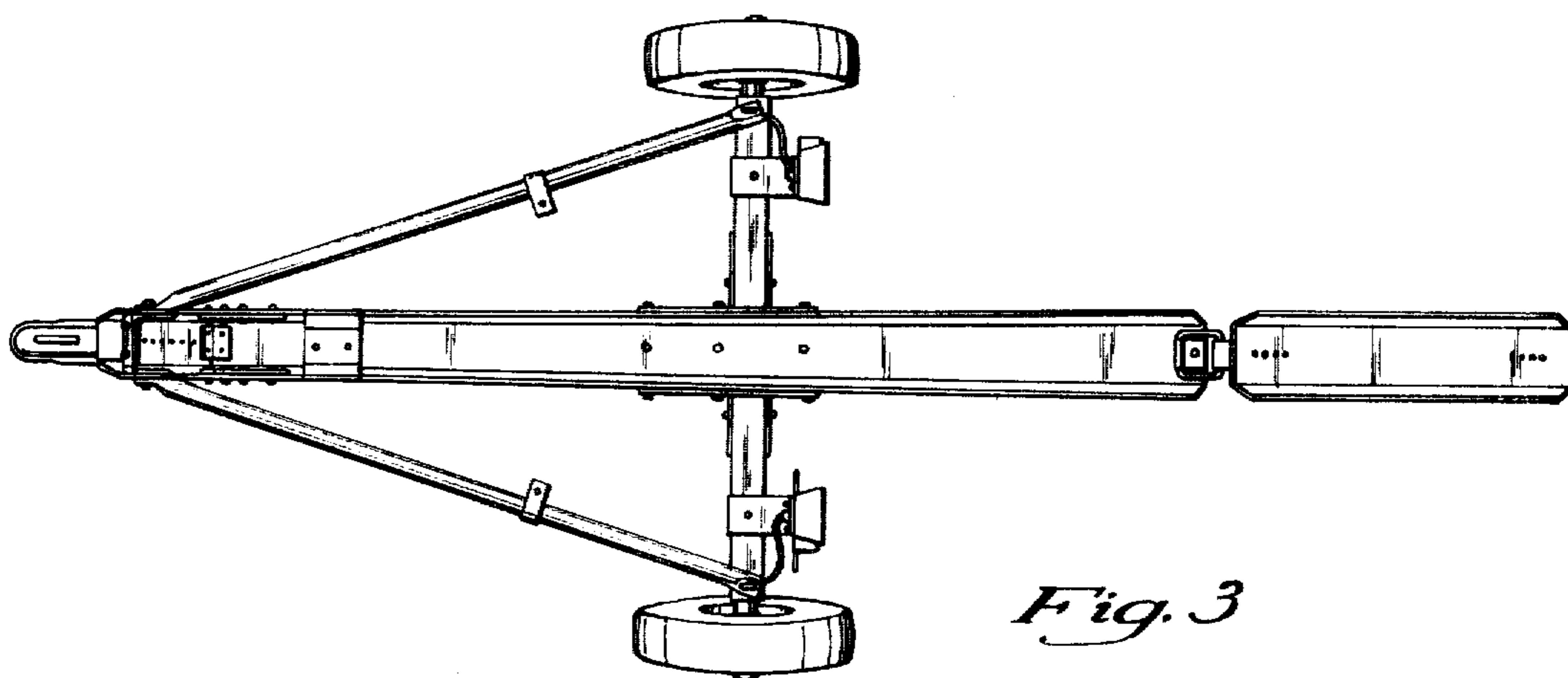
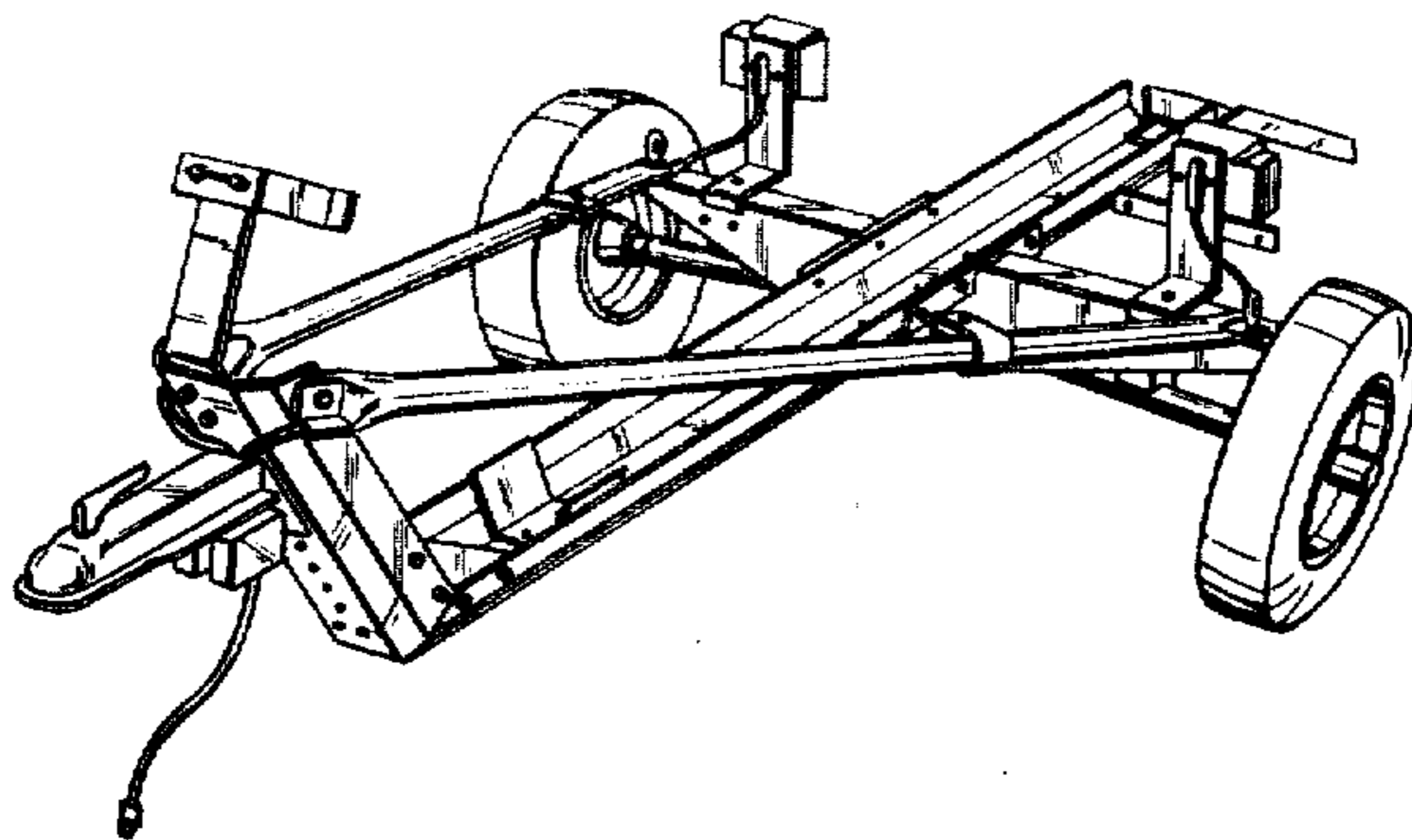
The ornamental design for a trailer for a motorcycle or the like, as shown.

**DESCRIPTION**

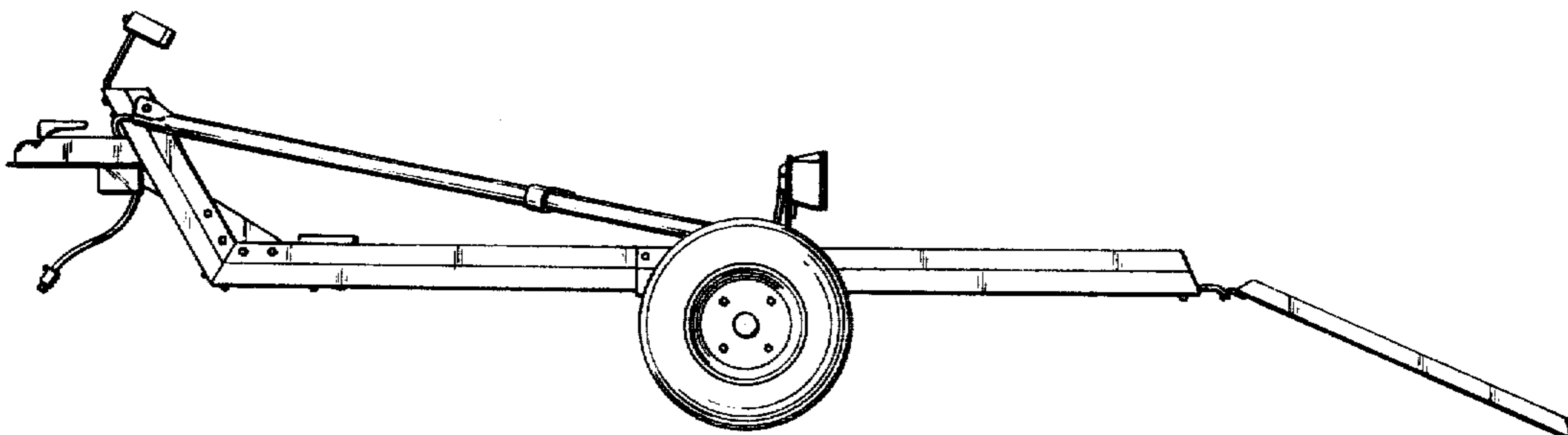
FIG. 1 is a perspective view of a trailer for a motorcycle or the like showing my new design;  
FIG. 2 is a side elevational view thereof;  
FIG. 3 is a top plan view thereof;  
FIG. 4 is a front end elevational view thereof;  
FIG. 5 is a rear elevational view thereof; and  
FIG. 6 is a bottom plan view thereof.



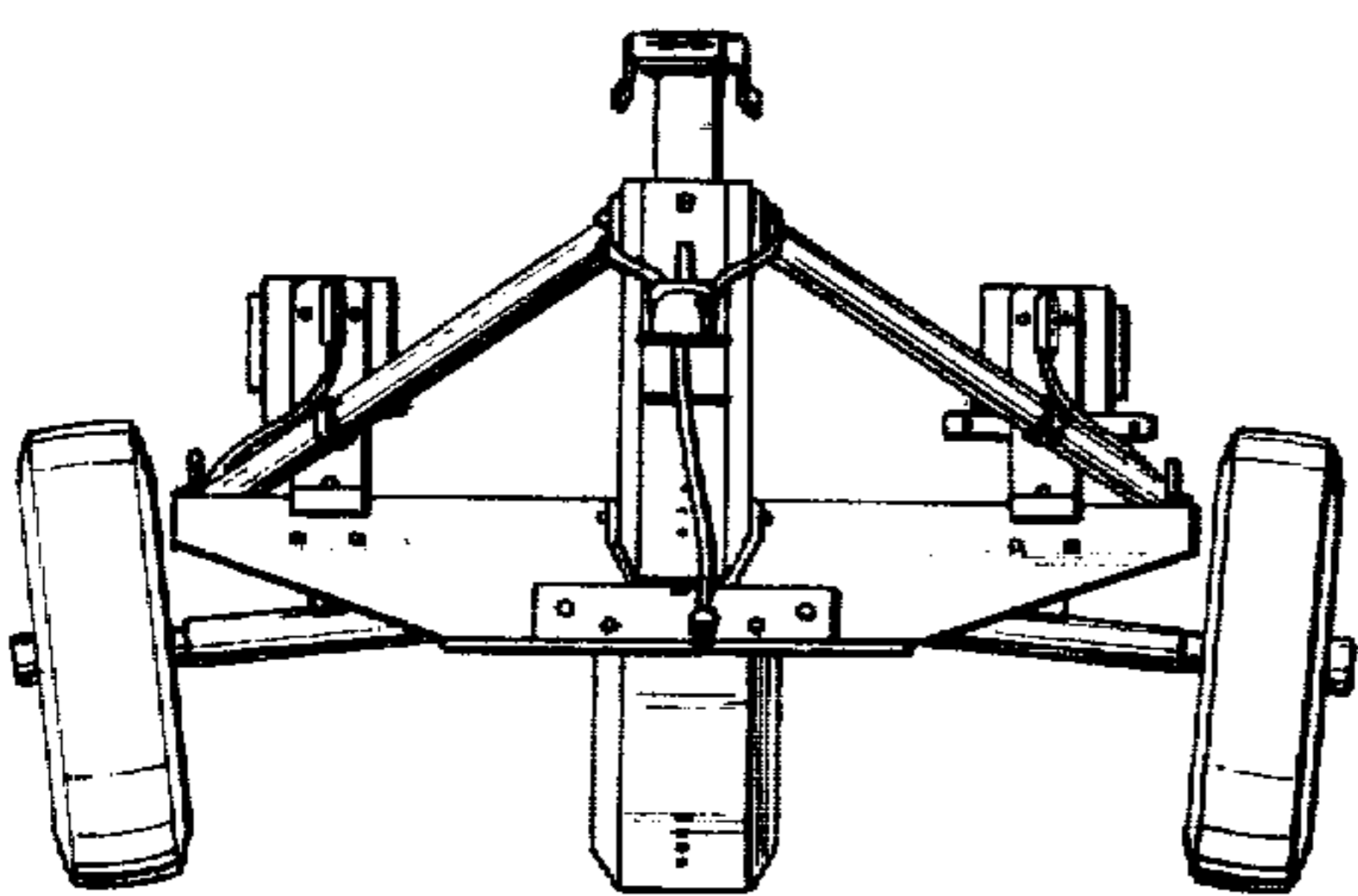
*Fig. 1*



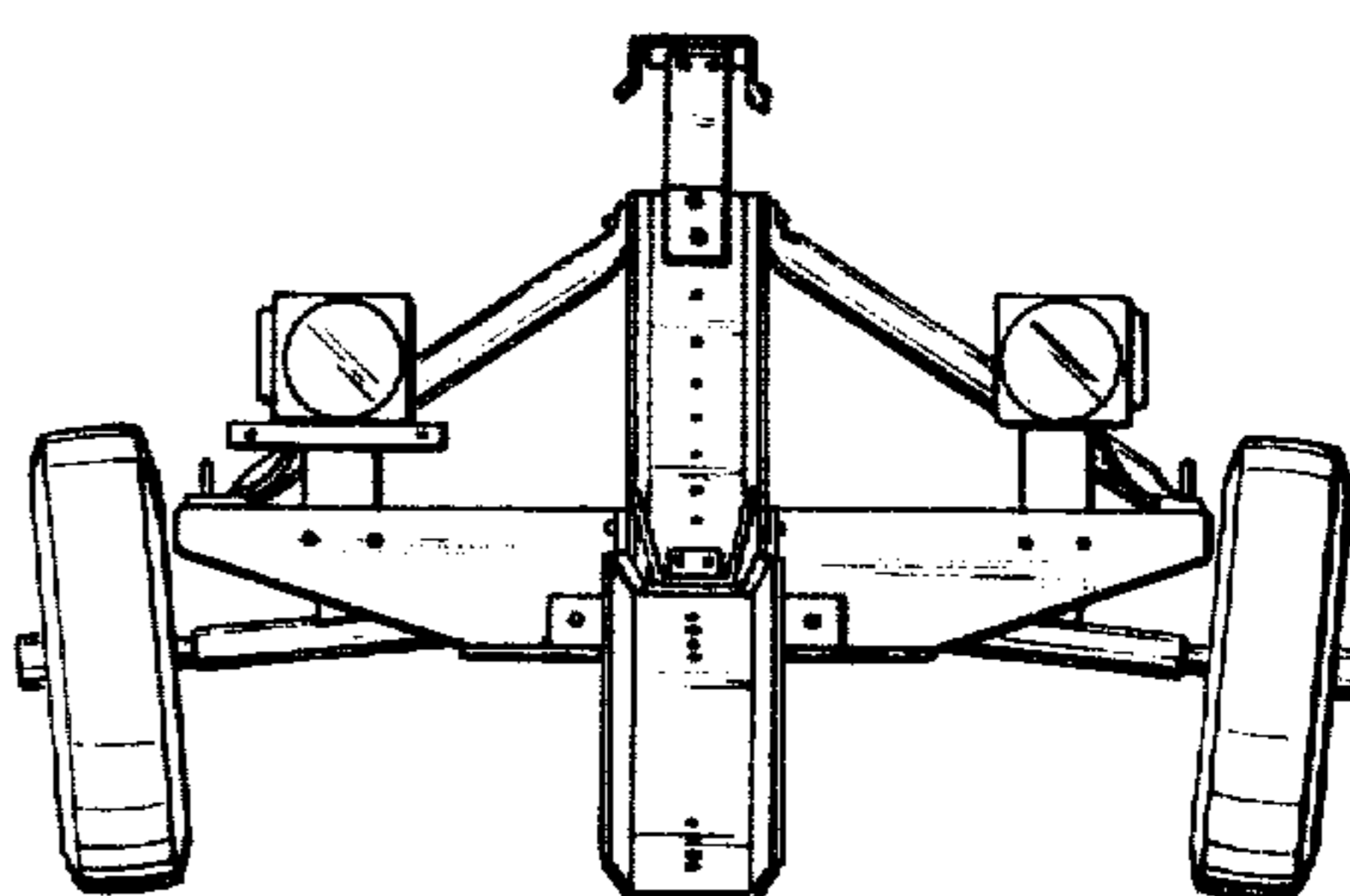
*Fig. 3*



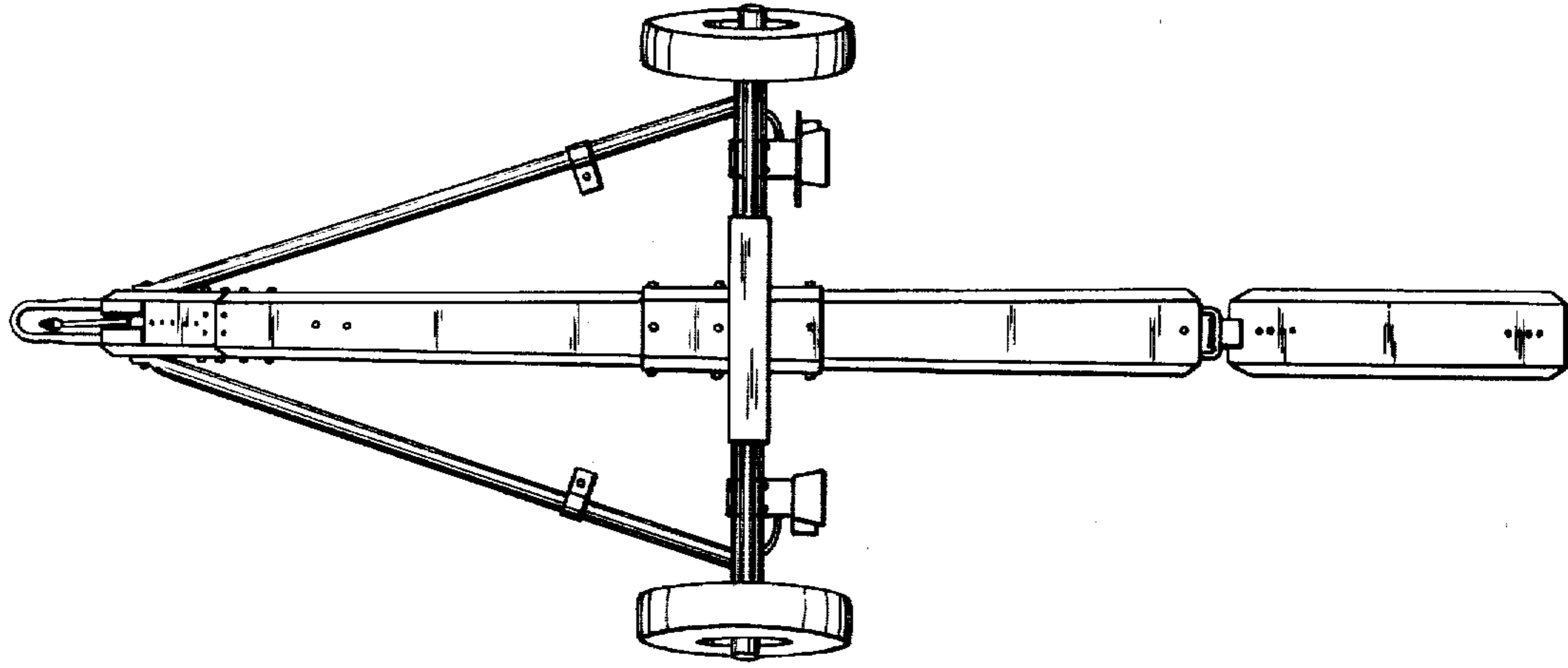
*Fig. 2*



*Fig. 4*



*Fig. 5*



*Fig. 6*