

[54] MOTOR CART

[76] Inventor: Dale L. Cosper, 1603 Hoover, South Bend, Ind. 46615

[**] Term: 14 Years

[21] Appl. No.: 211,303

[22] Filed: Nov. 28, 1980

[51] Int. Cl. D12-14
[52] U.S. Cl. D12/85
[58] Field of Search D12/85; 180/215, 216, 180/210

[56] References Cited

U.S. PATENT DOCUMENTS

D. 241,929 10/1976 Cosper D12/85
3,369,629 2/1968 Weiss 180/216

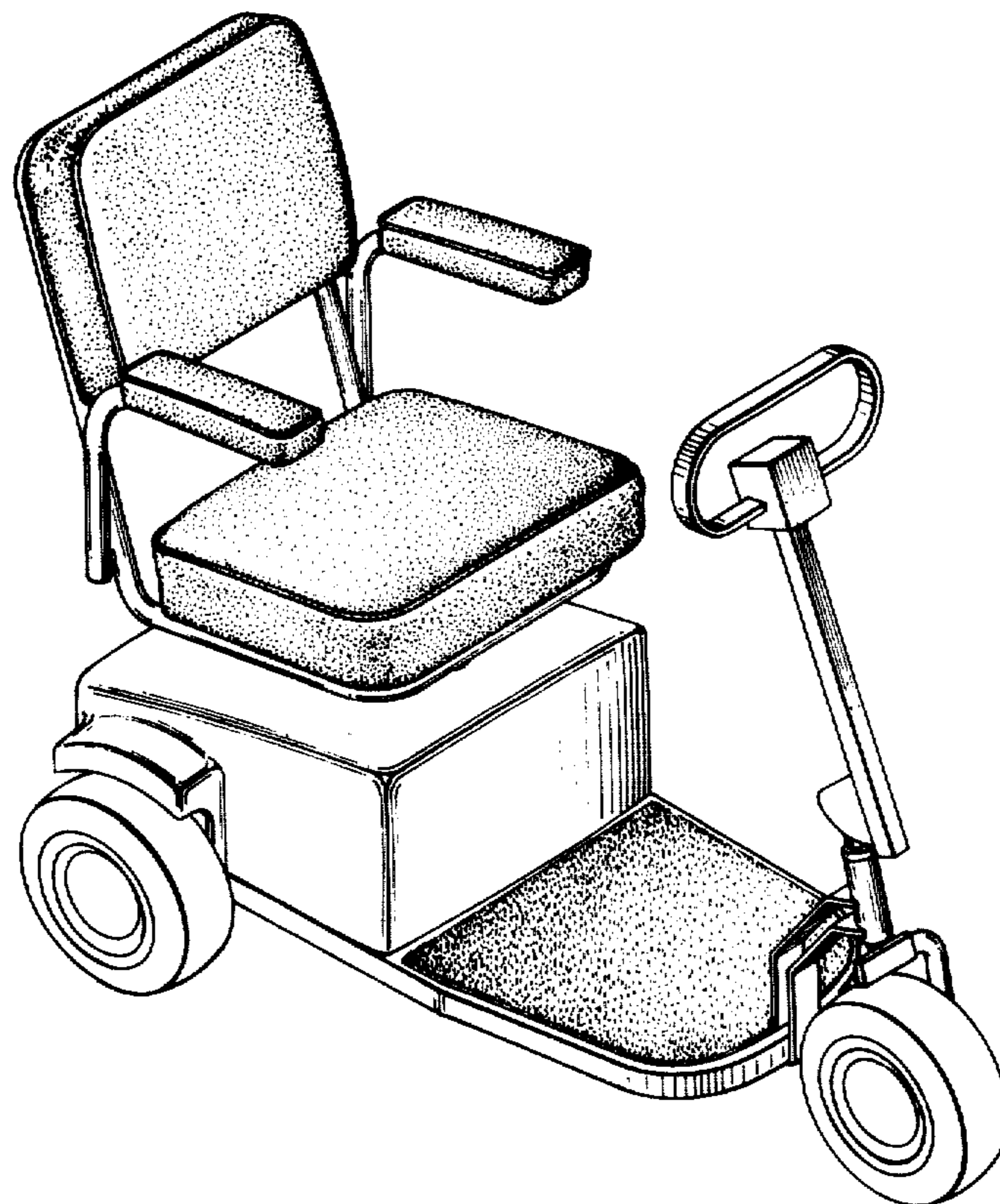
Primary Examiner—James M. Gandy
Attorney, Agent, or Firm—James D. Hall

[57] CLAIM

The ornamental design for a motor cart, as shown and described.

DESCRIPTION

FIG. 1 is a perspective view of a motor cart showing my design as seen from the front; FIG. 2 is a side elevational view thereof, the side opposite being substantially a mirror image; FIG. 3 is a front elevational view thereof; and FIG. 4 is a rear elevational view thereof.



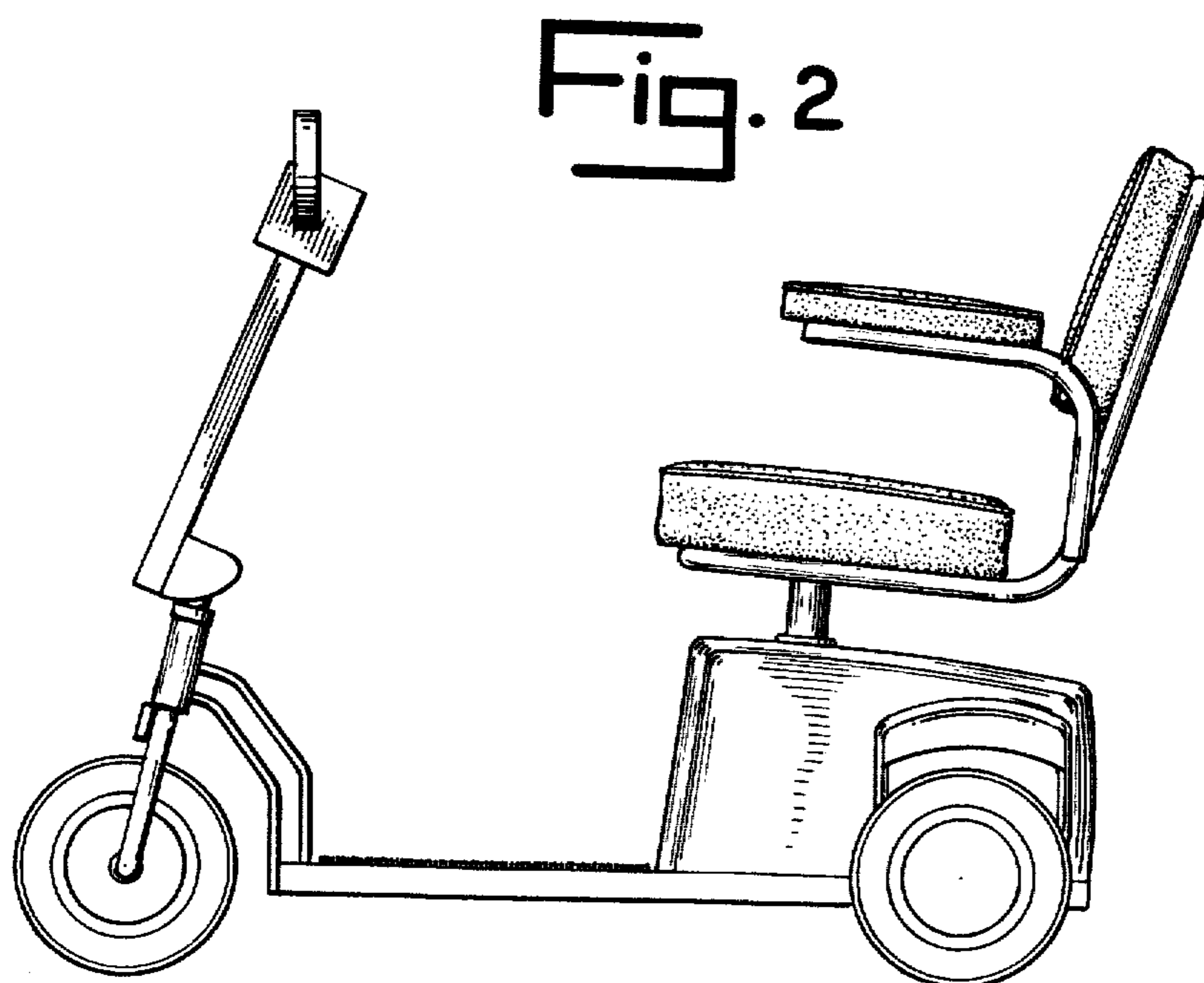
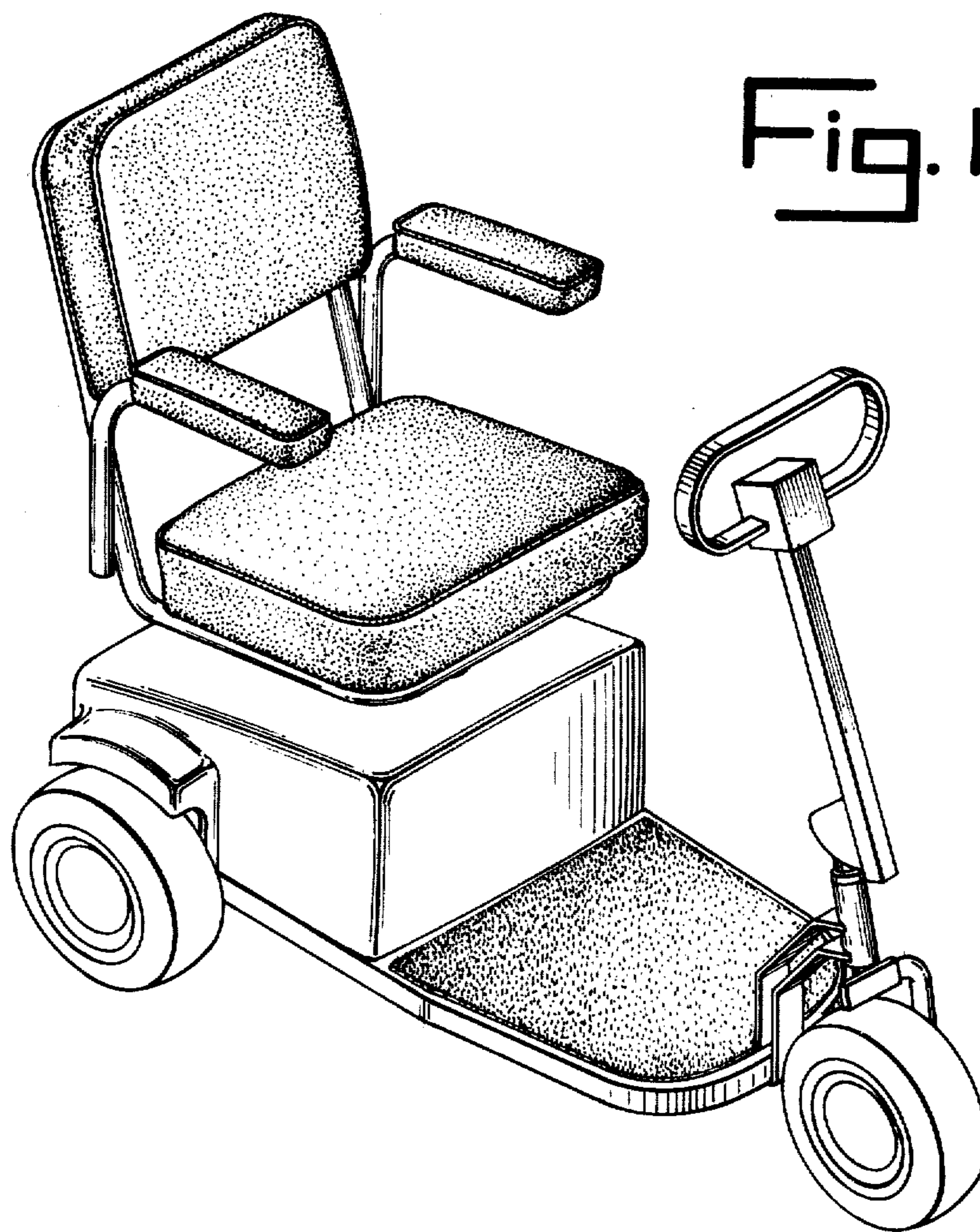


Fig. 3

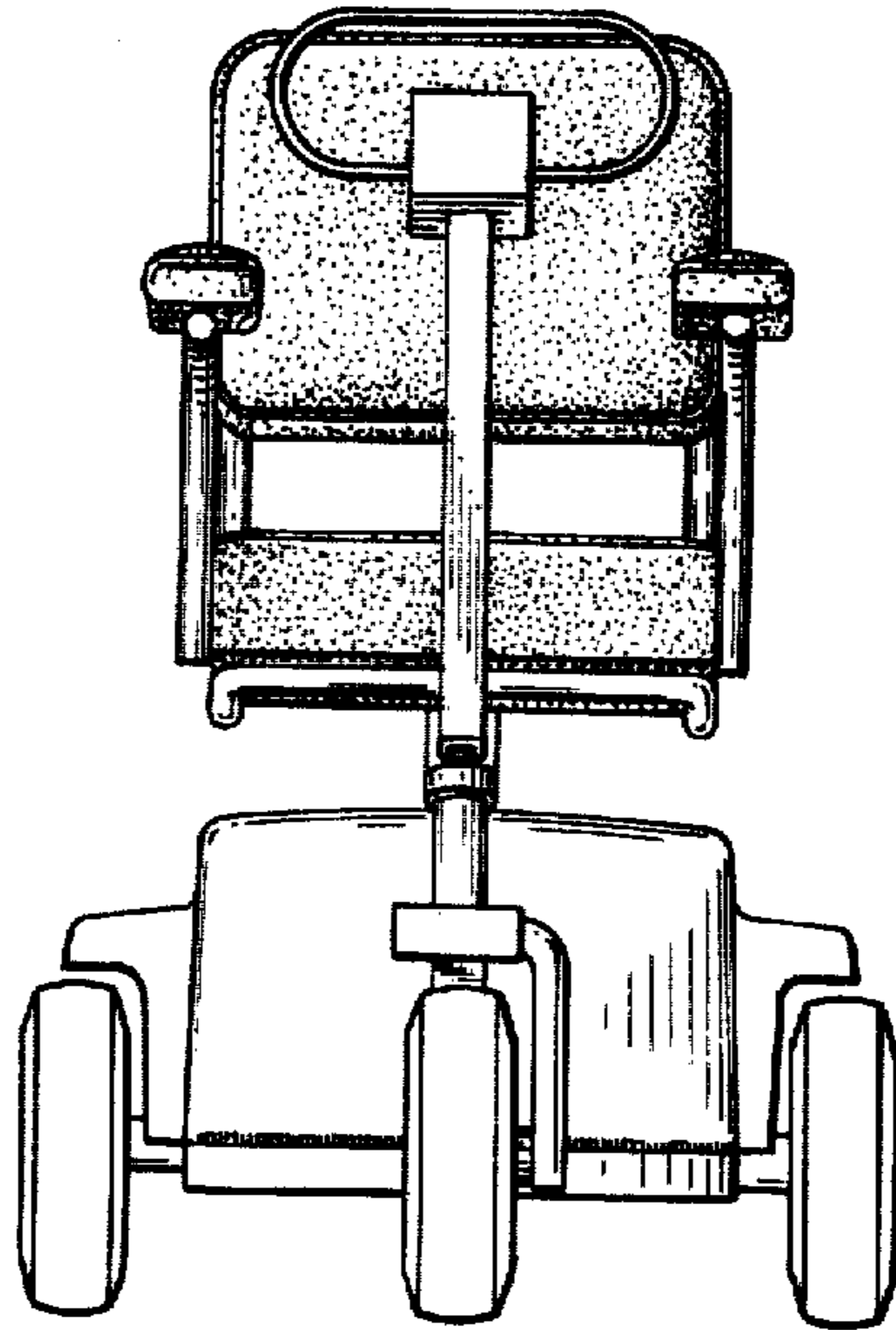


Fig. 4

