

[54] CONTAINER FOR A LIQUID OR A GEL

[75] Inventor: Raymond P. Stoy, Westport, Conn.

[73] Assignee: American Home Products Corp.,
New York, N.Y.

[**] Term: 14 Years

[21] Appl. No.: 268,420

[22] Filed: May 29, 1981

[51] Int. Cl. D9-01
[52] U.S. Cl. D9/376
[58] Field of Search D9/376, 378-383;
215/1 R, 1 C

[56] References Cited

U.S. PATENT DOCUMENTS

D. 213,766 4/1969 Weckman D9/375
4,351,740 9/1982 Joshi et al. D9/376 X

Primary Examiner—Robert C. Spangler
Attorney, Agent, or Firm—Joseph M. Weigman

[57] CLAIM

The ornamental design for a container for a liquid or a gel, substantially as shown and described.

DESCRIPTION

FIG. 1 is an elevational view of a container for a liquid or a gel showing my new design, the opposite side being a mirror image thereof;
FIG. 2 is an elevational view looking from the right of FIG. 1;
FIG. 3 is an elevational view looking from the left of FIG. 1;
FIG. 4 is a top plan view; and
FIG. 5 is a bottom plan view thereof;
FIG. 6 is an elevational view showing an alternate embodiment of my new design, the opposite side being a mirror image thereof;
FIG. 7 is an elevational view looking from the right of FIG. 1;
FIG. 8 is an elevational view looking from the left of FIG. 1;
FIG. 9 is a top plan view; and
FIG. 10 is a bottom plan view thereof.

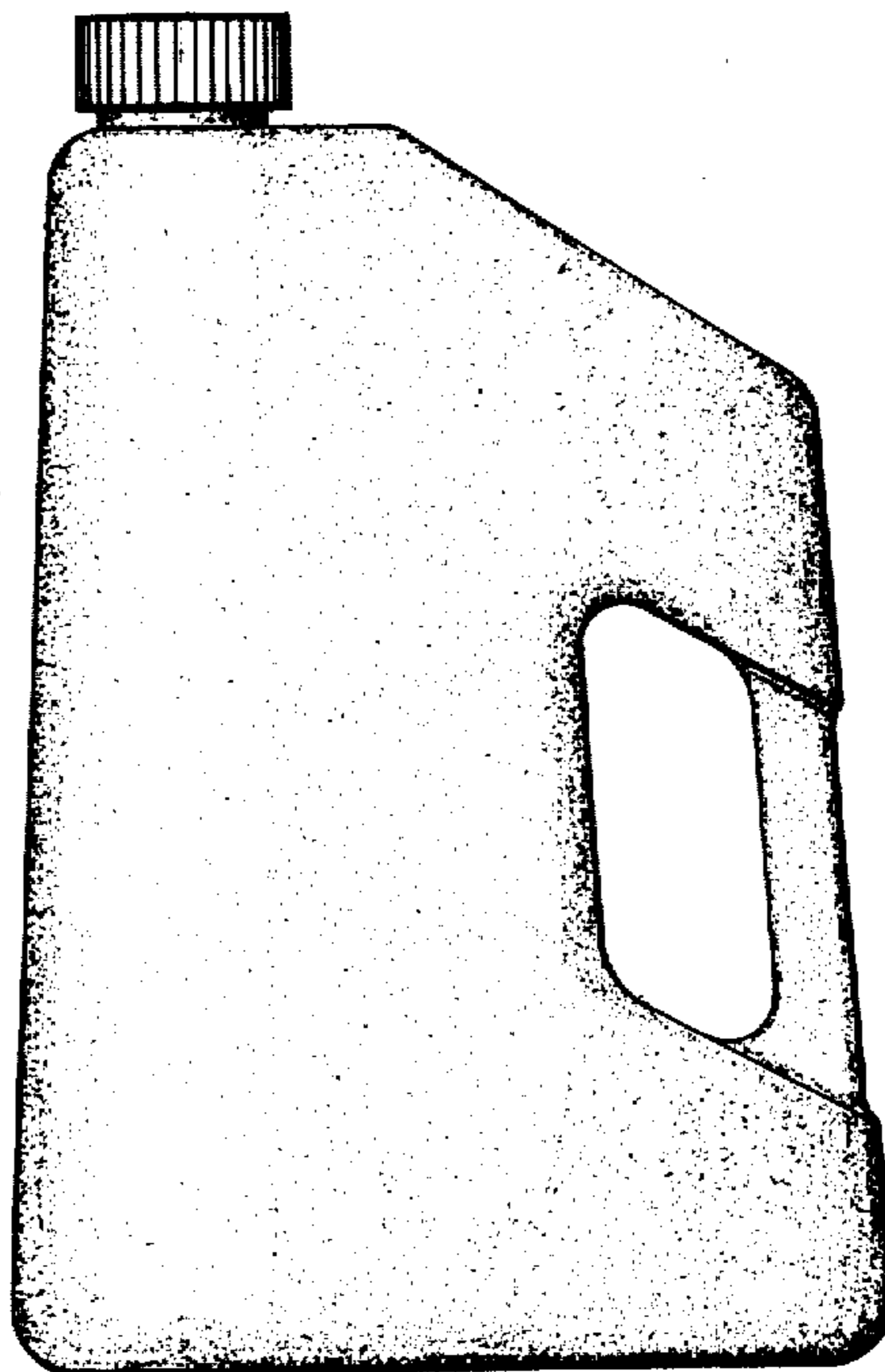


FIG. 2

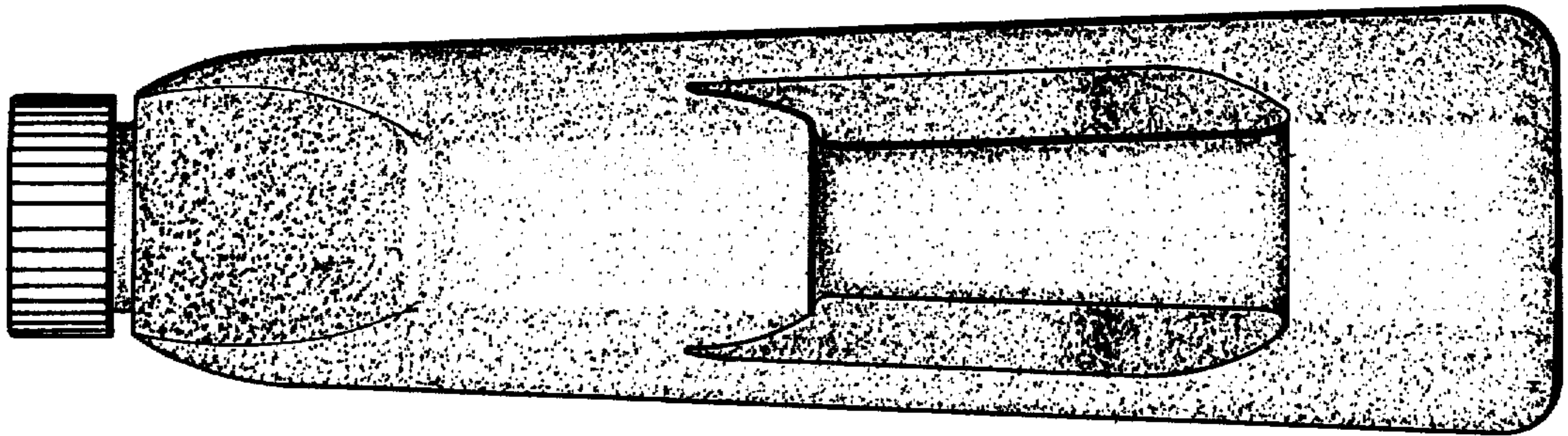


FIG. 1

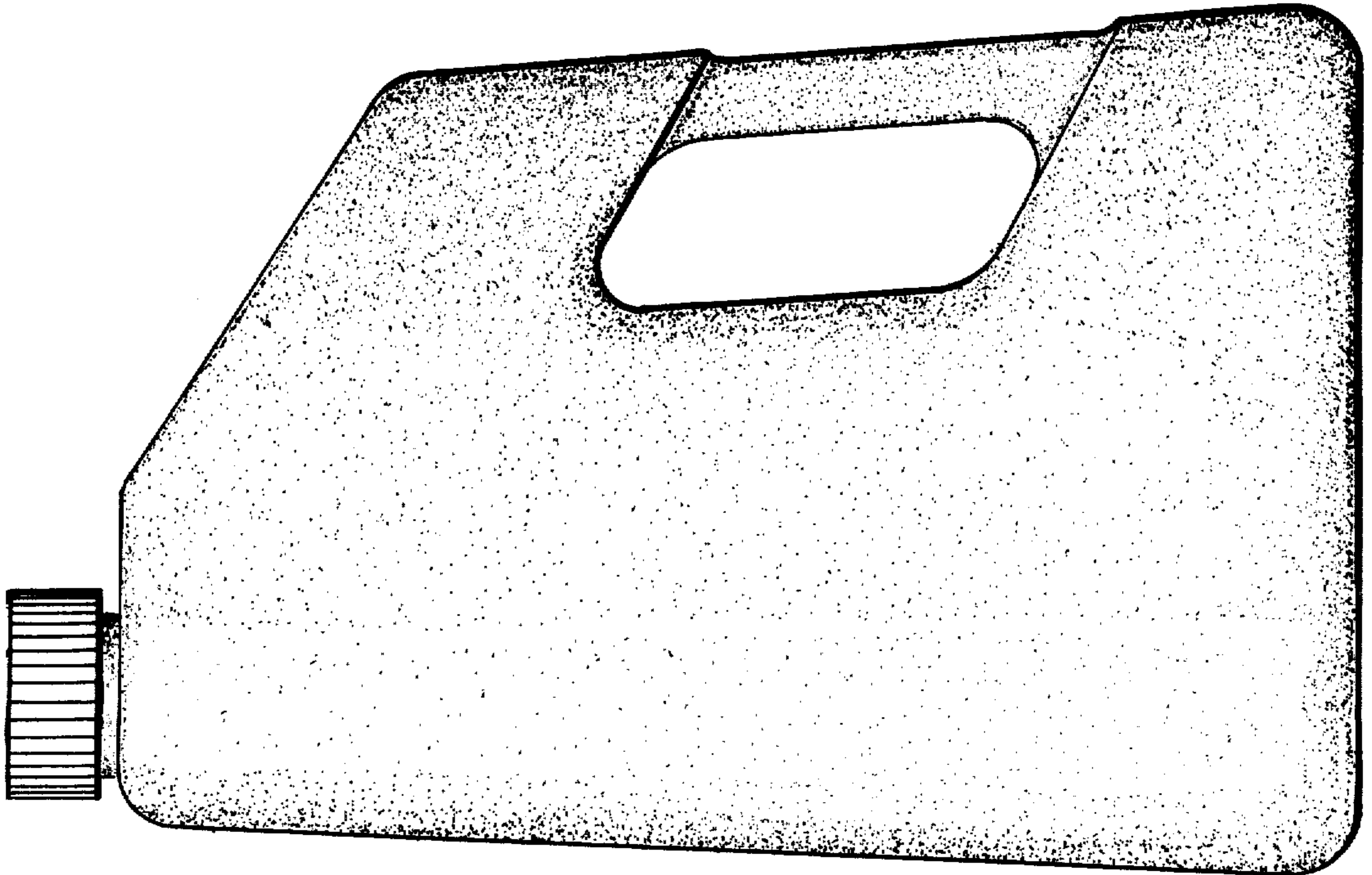


FIG. 3

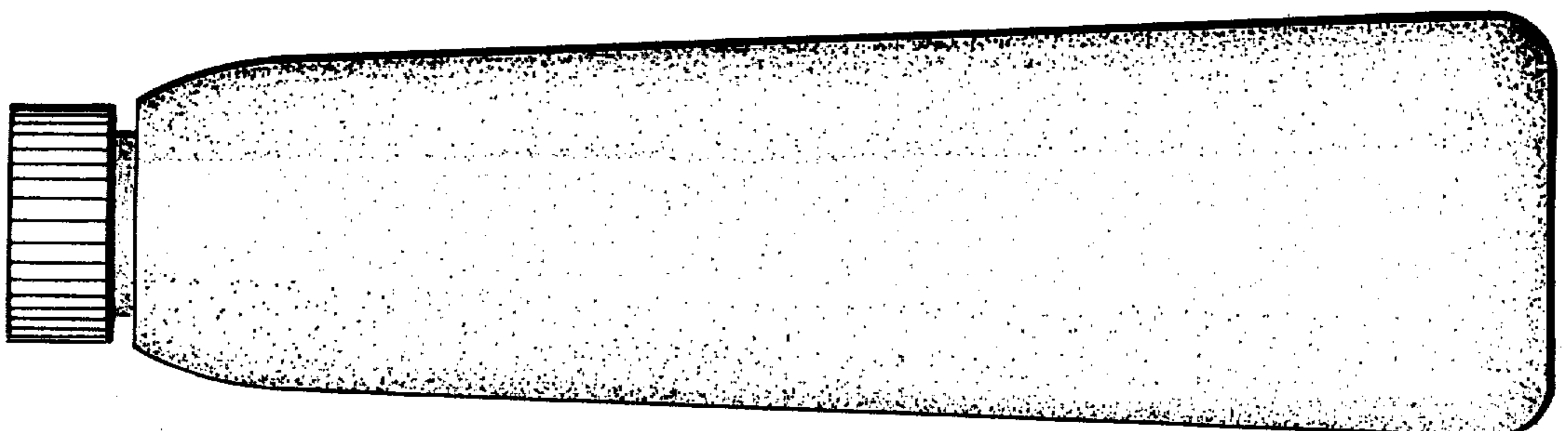


FIG. 4

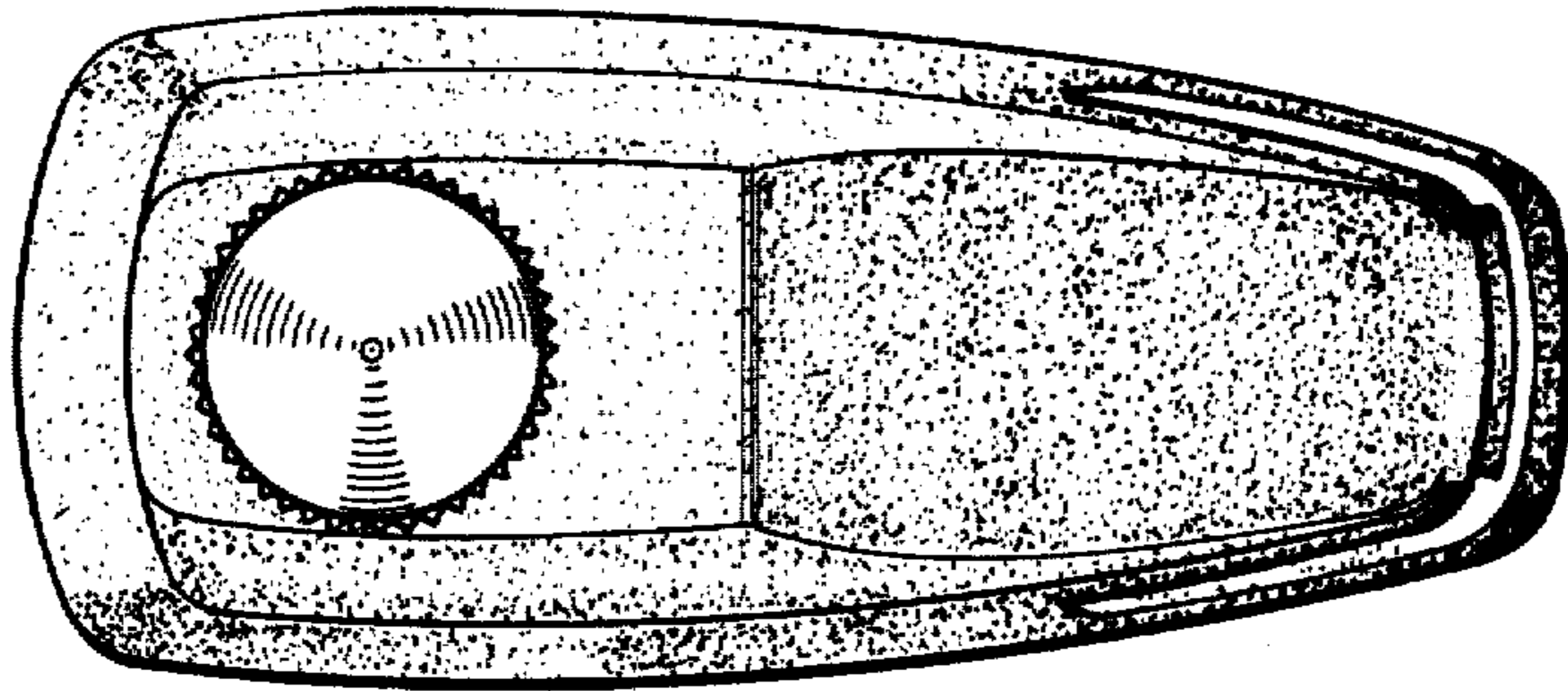


FIG. 5

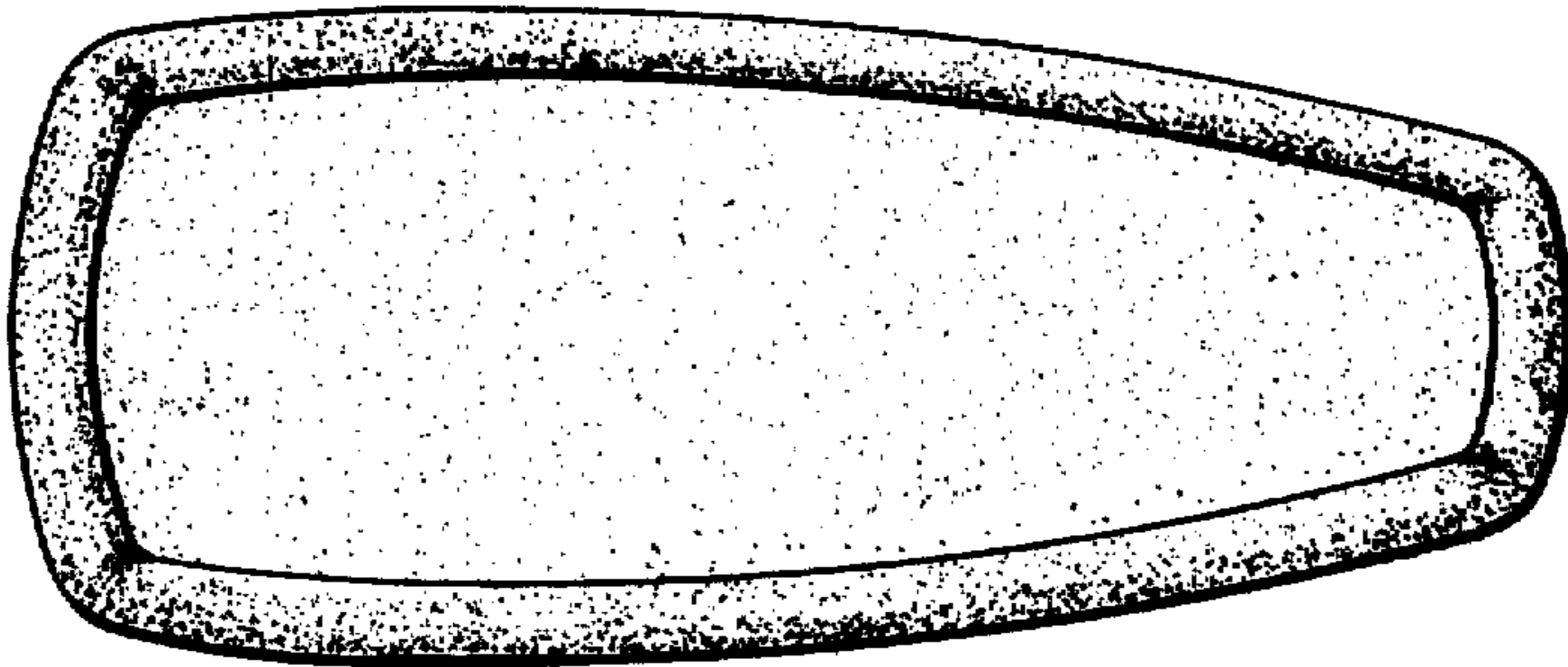


FIG. 7

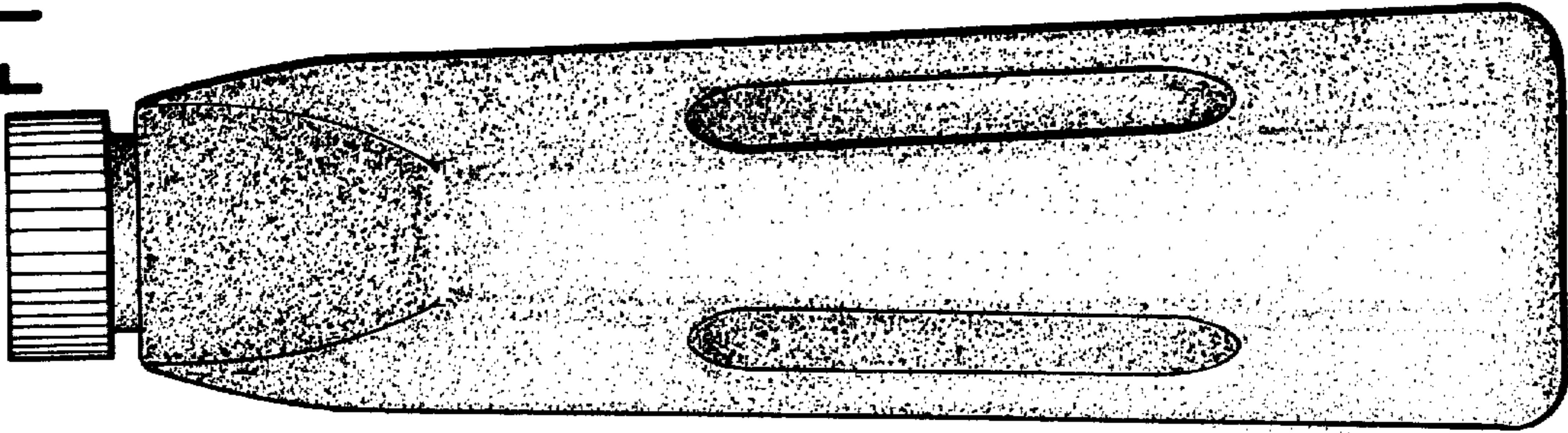


FIG. 6

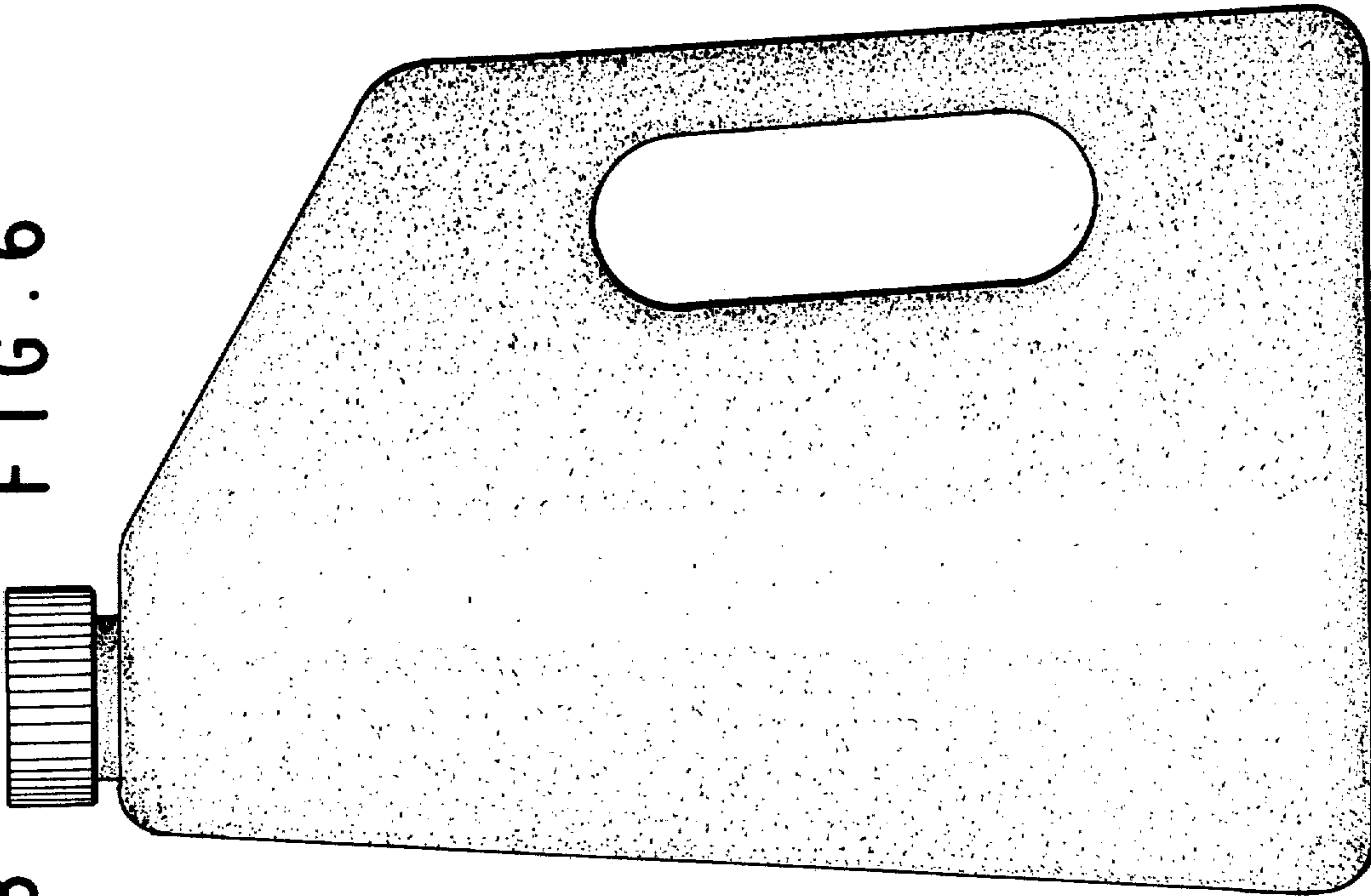


FIG. 8



FIG. 9

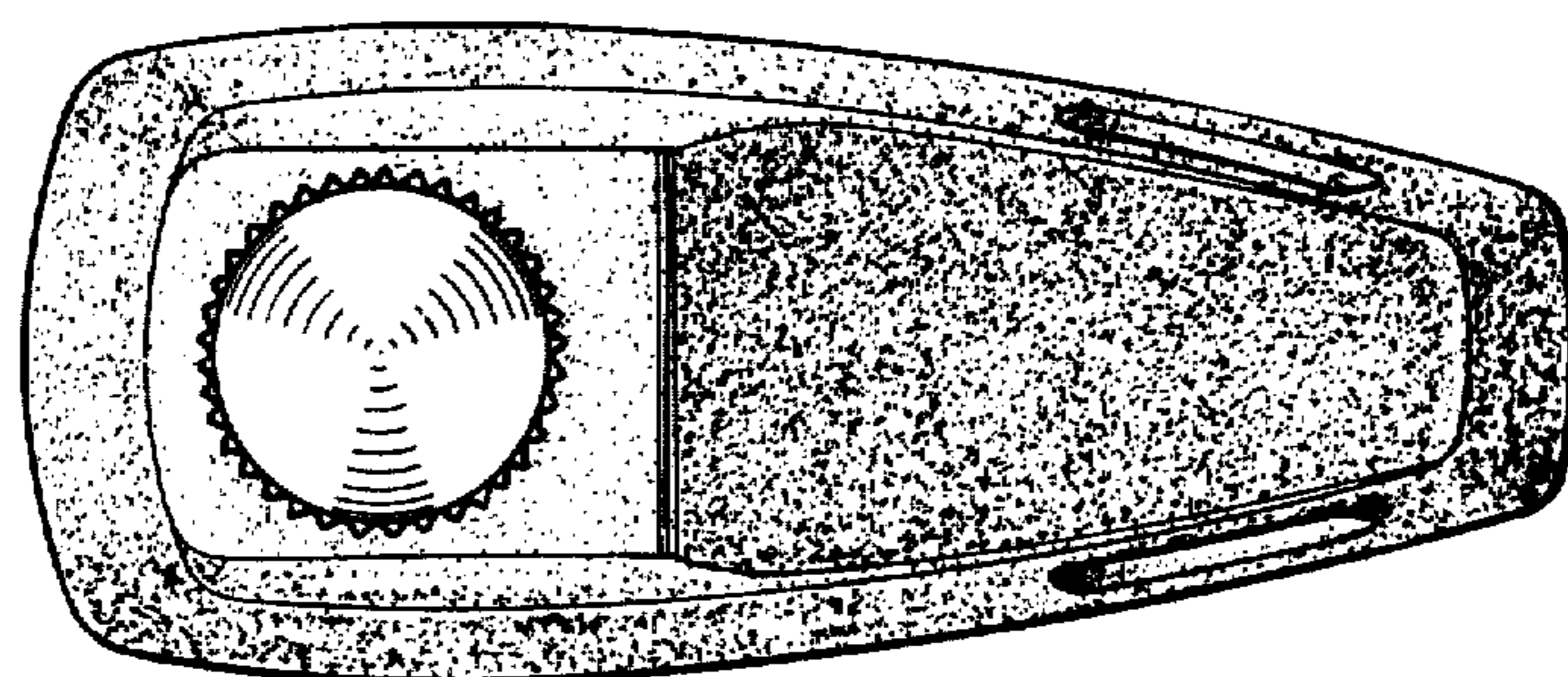


FIG. 10

