

[54] CUTLERY SHARPENER

[75] Inventor: Norio Hirosawa, Hiroshima, Japan

[73] Assignee: Kure-Norton Kabushiki Kaisha, Tokyo, Japan

[\*\*] Term: 14 Years

[21] Appl. No.: 201,016

[22] Filed: Oct. 27, 1980

[51] Int. Cl. .... D8-05

[52] U.S. Cl. .... D8/93

[58] Field of Search .... D8/93; 76/89.2, 87

[56] References Cited

U.S. PATENT DOCUMENTS

D. 173,204	10/1954	Hussar	.....	D8/93
D. 228,871	10/1973	Pollard	.....	D8/93
D. 232,899	9/1974	Bayly	.....	D8/93
D. 241,504	9/1976	Krusche et al.	.....	D8/93
2,749,678	6/1956	Jahn	.....	76/87

OTHER PUBLICATIONS

Best Products, 1979 Buyers Guide, ©1978, p. 254, Combination Can Opener & Knife Sharpener, Item (A).

Primary Examiner—Bernard Ansher  
Attorney, Agent, or Firm—Robert E. Burns; Emmanuel J. Lobato; Bruce L. Adams

[57] CLAIM

The ornamental design for a cutlery sharpener, substantially as shown and described.

DESCRIPTION

FIG. 1 is a front elevational view of a cutlery sharpener showing the cover in the open state;  
 FIG. 2 is a top plan view thereof;  
 FIG. 3 is a bottom plan view thereof;  
 FIG. 4 is a cross-sectional view thereof taken along line 4-4 in FIG. 6;  
 FIG. 5 is a right side elevational view thereof;  
 FIG. 6 is a left side elevational view thereof;  
 FIG. 7 is a cross-sectional view thereof taken along line 7-7 in FIG. 1;  
 FIG. 8 is a front elevational view thereof showing the cover in the closed state; and  
 FIG. 9 is a top plan view thereof, on a somewhat smaller scale, showing the cover in the open state and showing in dashed lines a piece of cutlery as it would be disposed for sharpening. For purposes of illustration only.

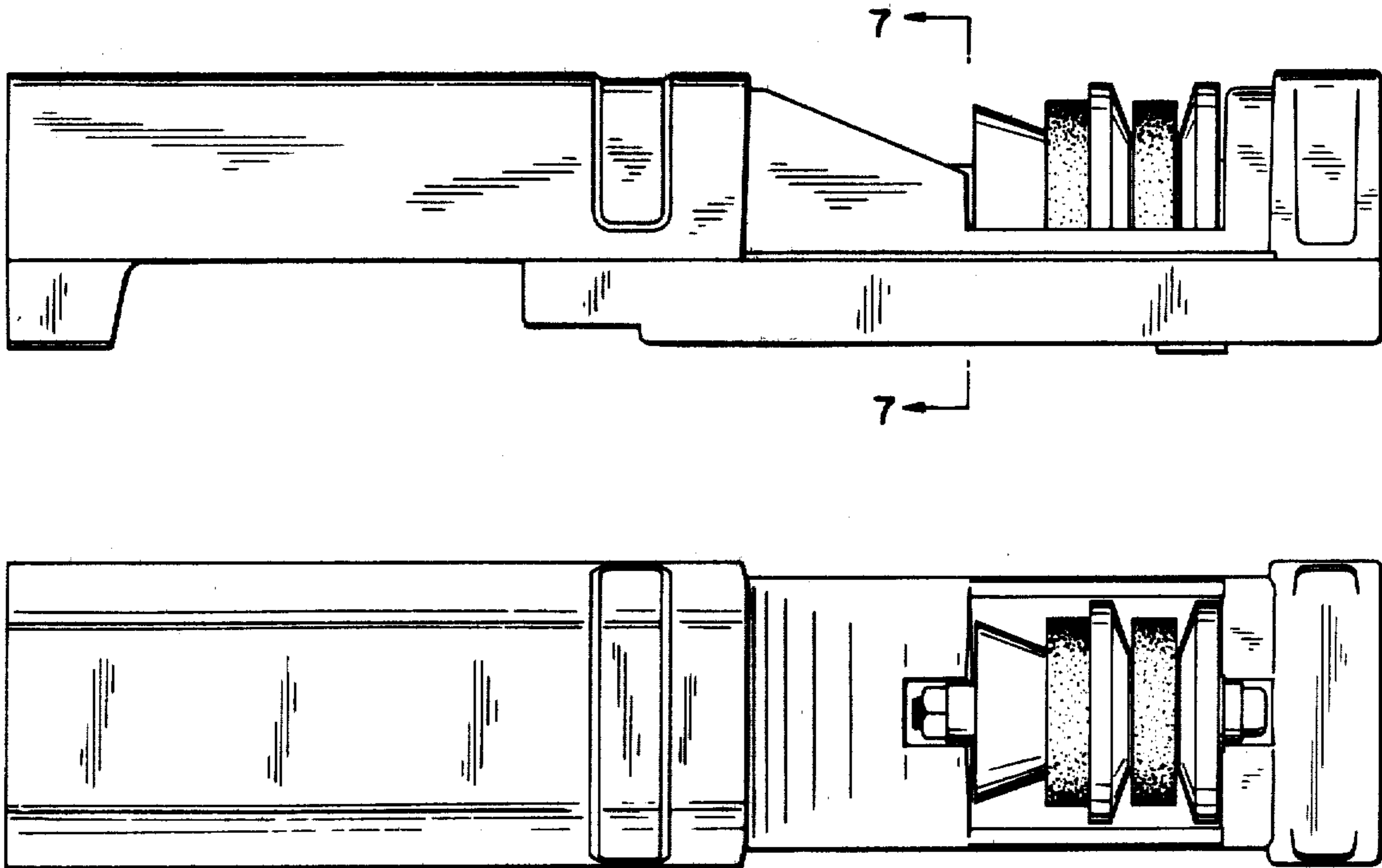


Fig. 1

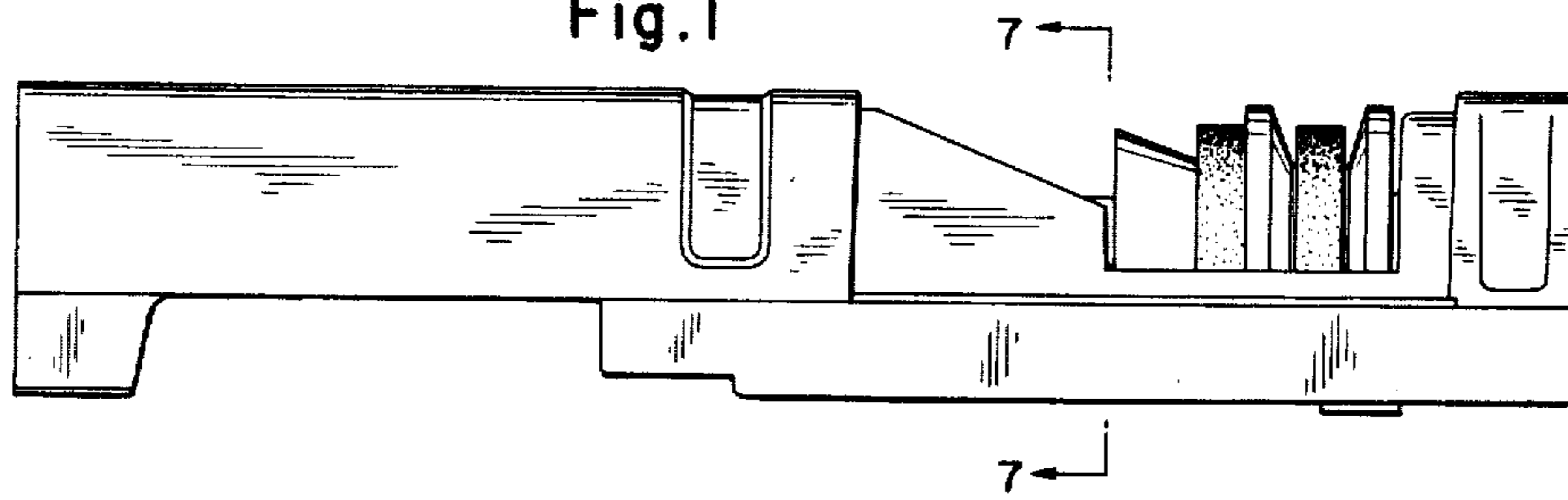


Fig. 2

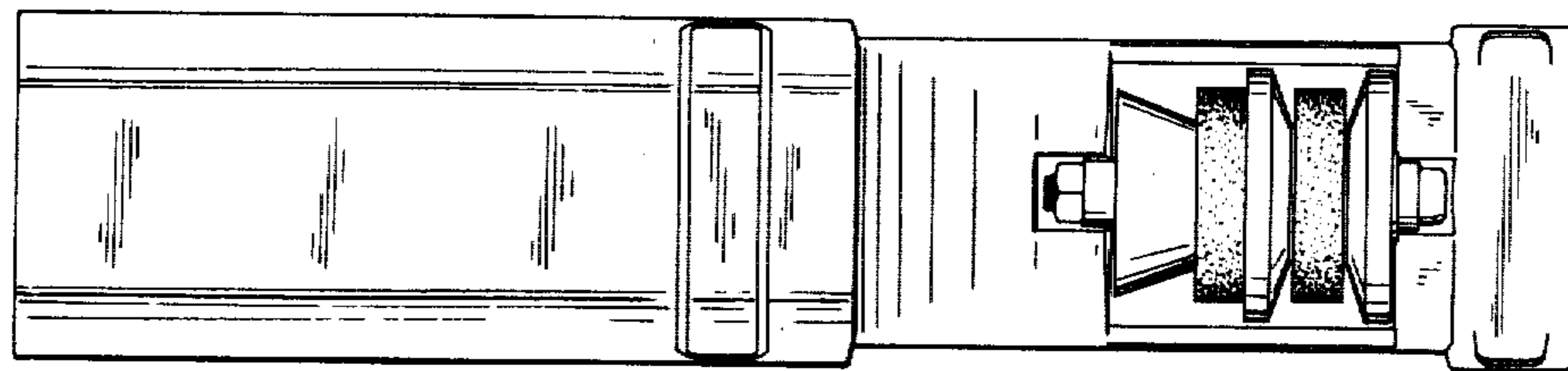


Fig. 3

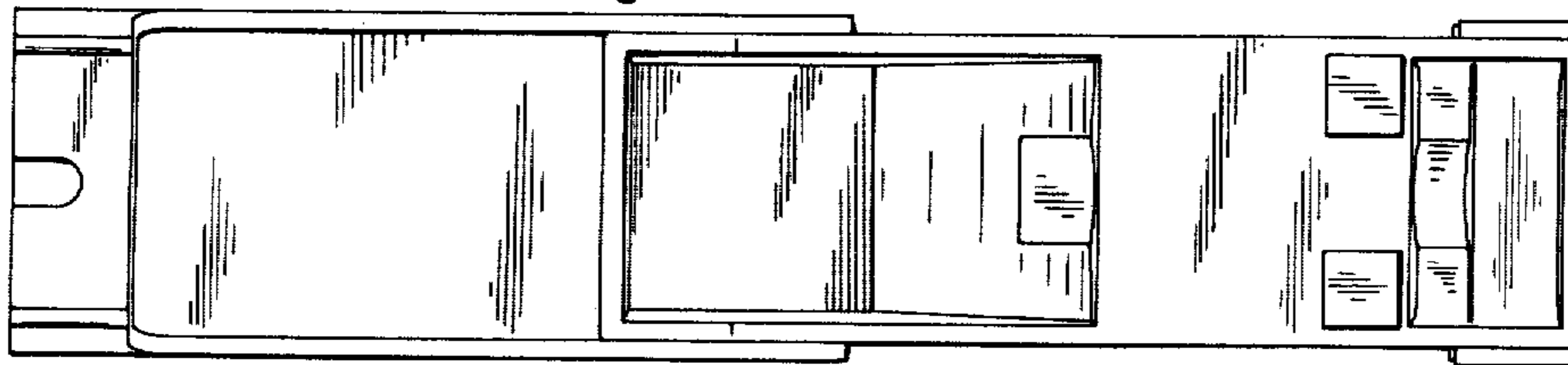


Fig. 4

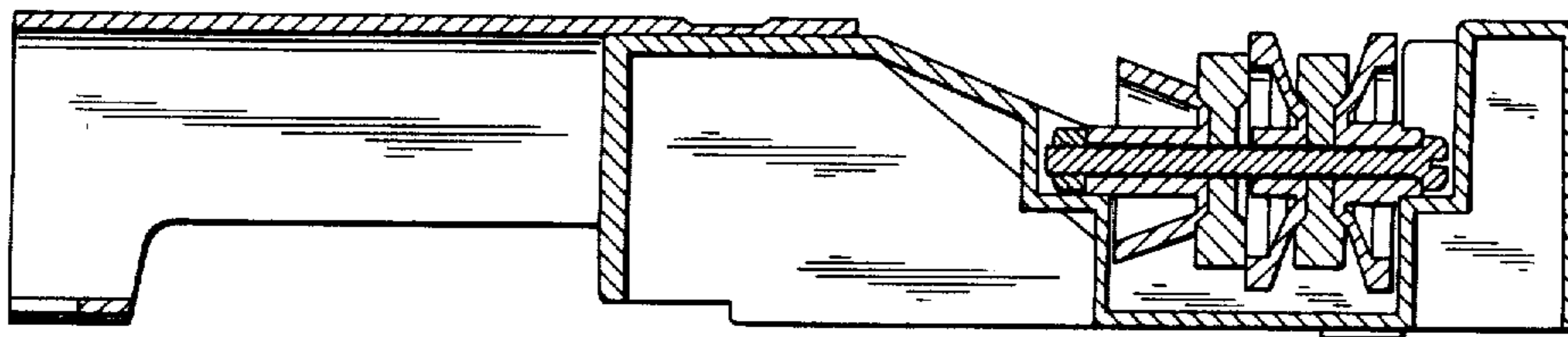


Fig. 8

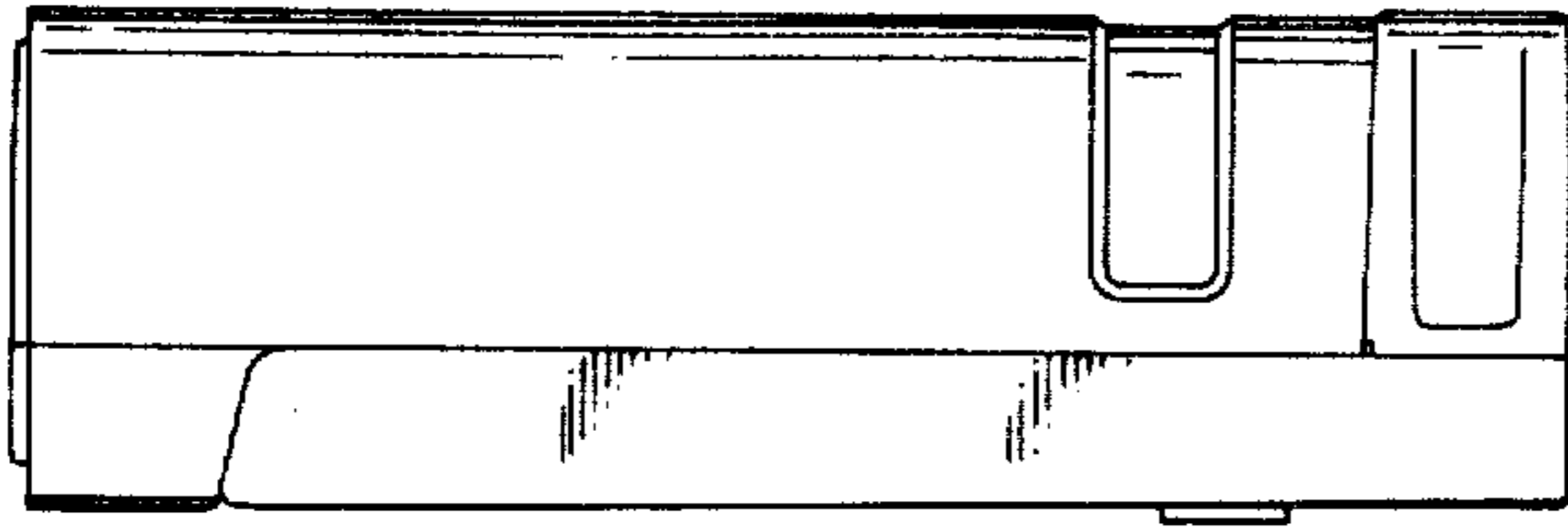


Fig. 5

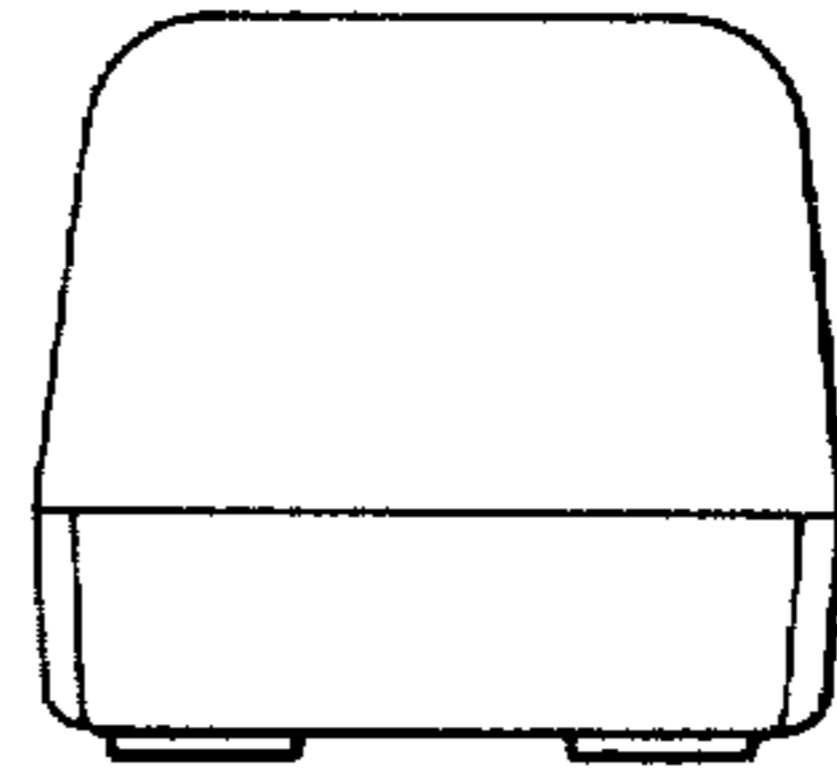


Fig. 9

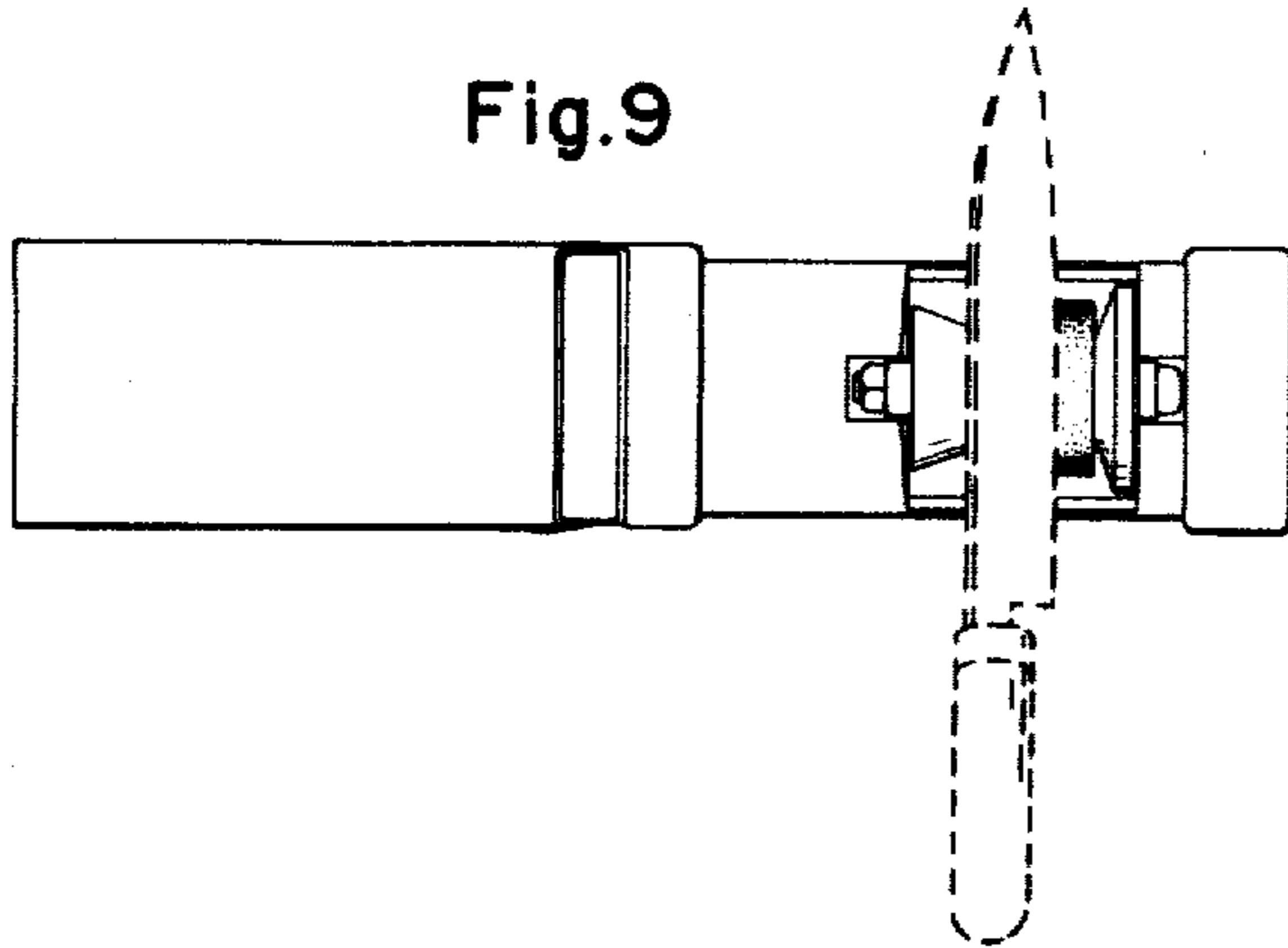


Fig. 6

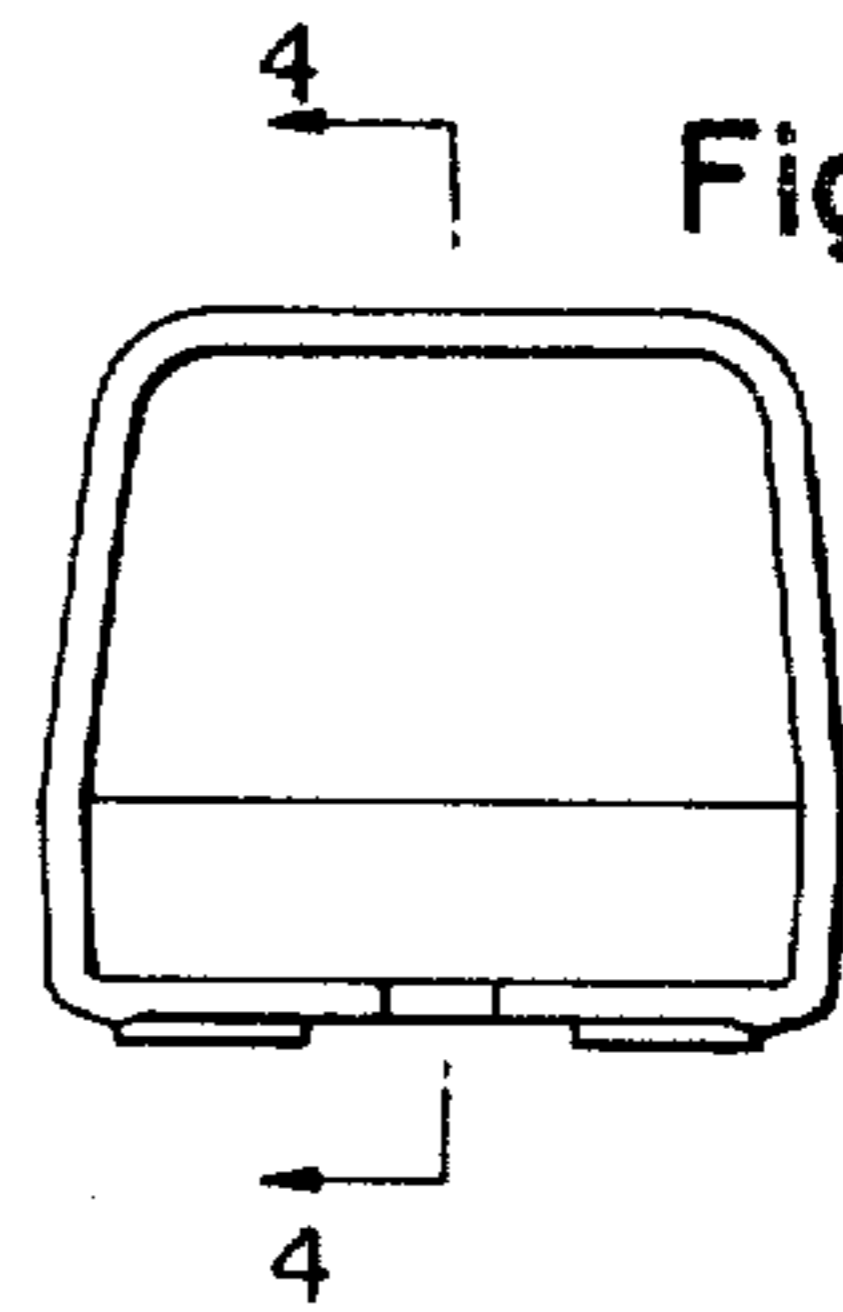


Fig. 7

