

[54] **DISH DIVIDER OR THE LIKE**

[75] Inventors: **Robert H. C. M. Daenen, Hekelgem; Pieter K. Jan De Coster, Aalst, both of Belgium**

[73] Assignee: **Dart Industries Inc., Northbrook, Ill.**

[**] Term: **14 Years**

[21] Appl. No.: **248,091**

[22] Filed: **Mar. 27, 1981**

[51] Int. Cl. **D07-99**

[52] U.S. Cl. **D7/39; D7/387**

[58] Field of Search **D7/96, 16, 129, 27, D7/387, 357, 39; 220/22, 22.2, 22.3; 99/645**

[56] **References Cited**

U.S. PATENT DOCUMENTS

D. 214,332 6/1969 Swett D7/129

D. 246,560 12/1977 Beauchamp D7/16 X

846,634 3/1907 Van Deventer et al. 99/645

2,617,350 11/1952 Shol 99/645

2,663,449 12/1953 Smart D7/96 X

2,974,820 3/1961 Romei D7/39 X

4,147,277 4/1979 Bateman et al. 220/22.3 X

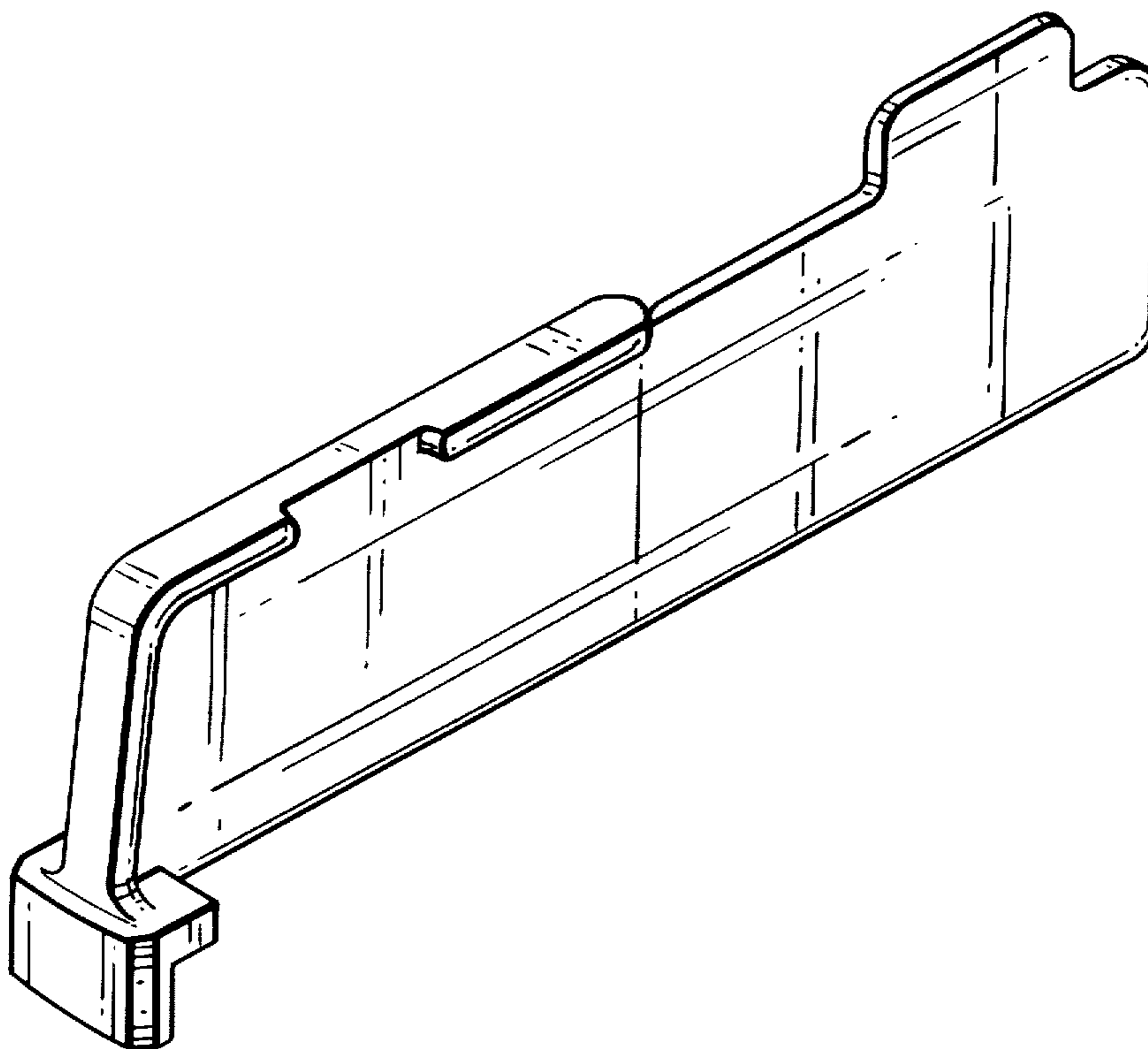
Primary Examiner—Winifred E. Herrmann
Attorney, Agent, or Firm—Leigh B. Taylor

[57] **CLAIM**

The ornamental design for a dish divider or the like, substantially as shown.

DESCRIPTION

FIG. 1 is a top-front perspective view of the dish divider or the like showing our new design; FIG. 2 is an end elevational view thereof; FIG. 3 is a rear elevational view thereof; FIG. 4 is another end elevational view thereof; FIG. 5 is a top plan view thereof; and FIG. 6 is a bottom plan view thereof.



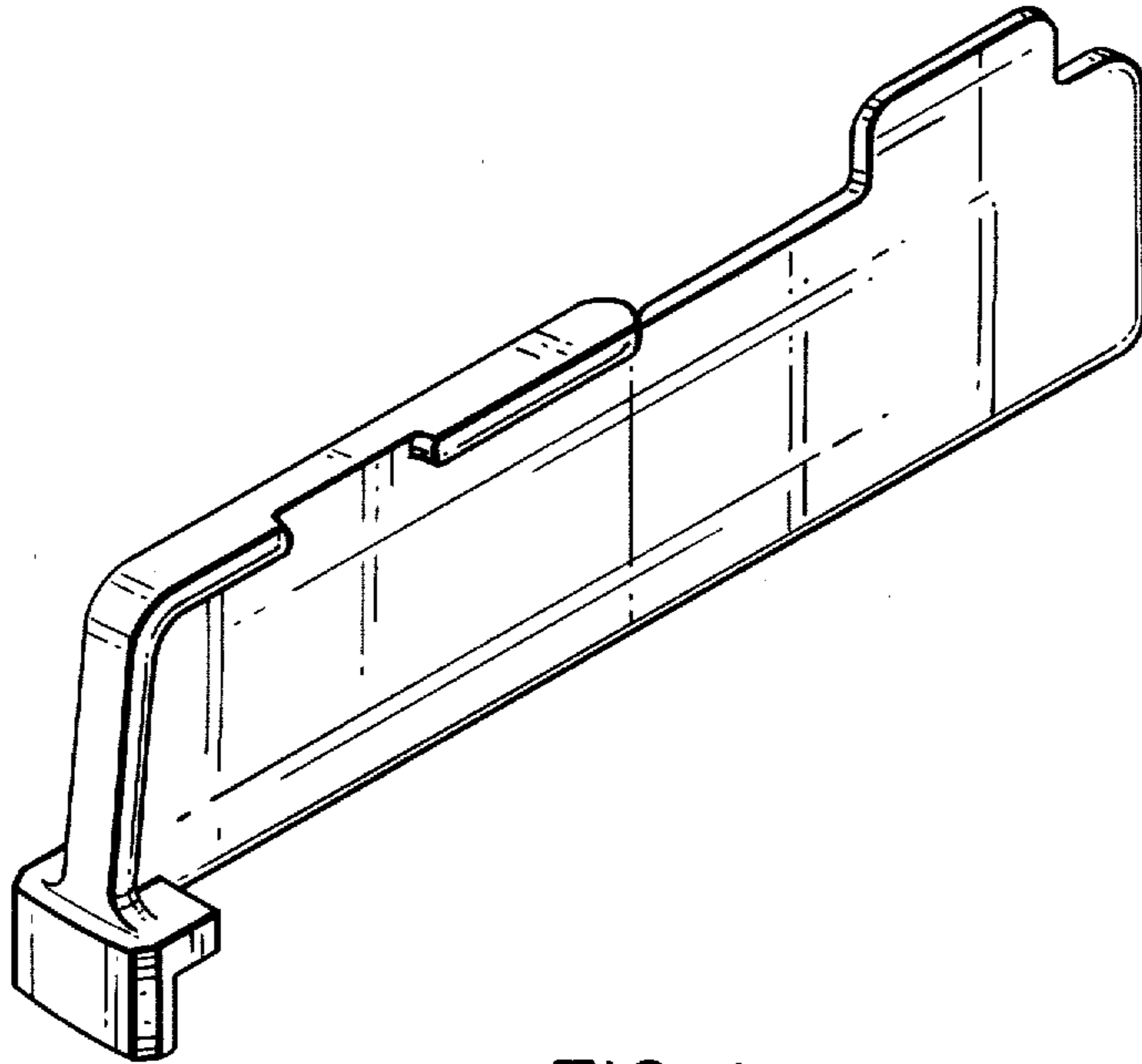


FIG. 1

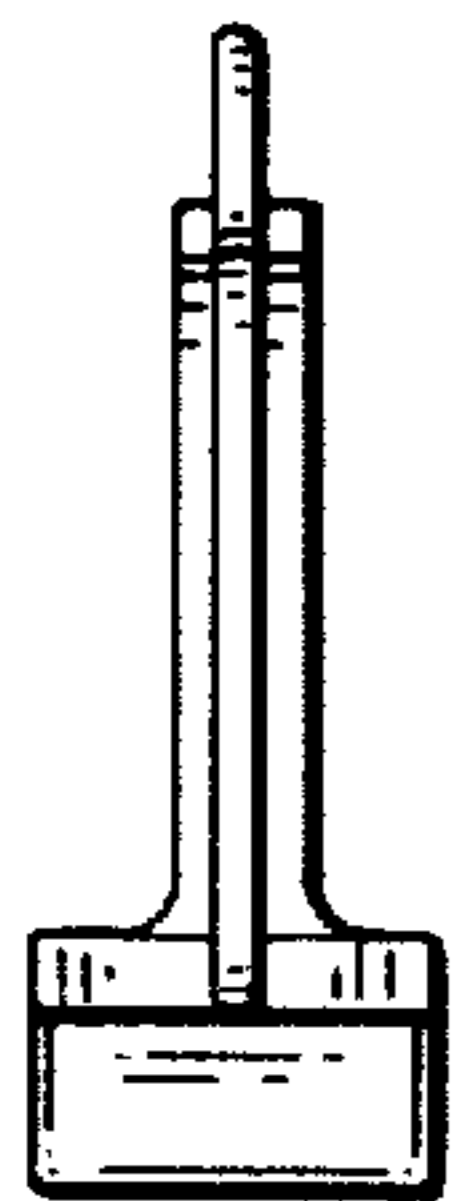


FIG. 2

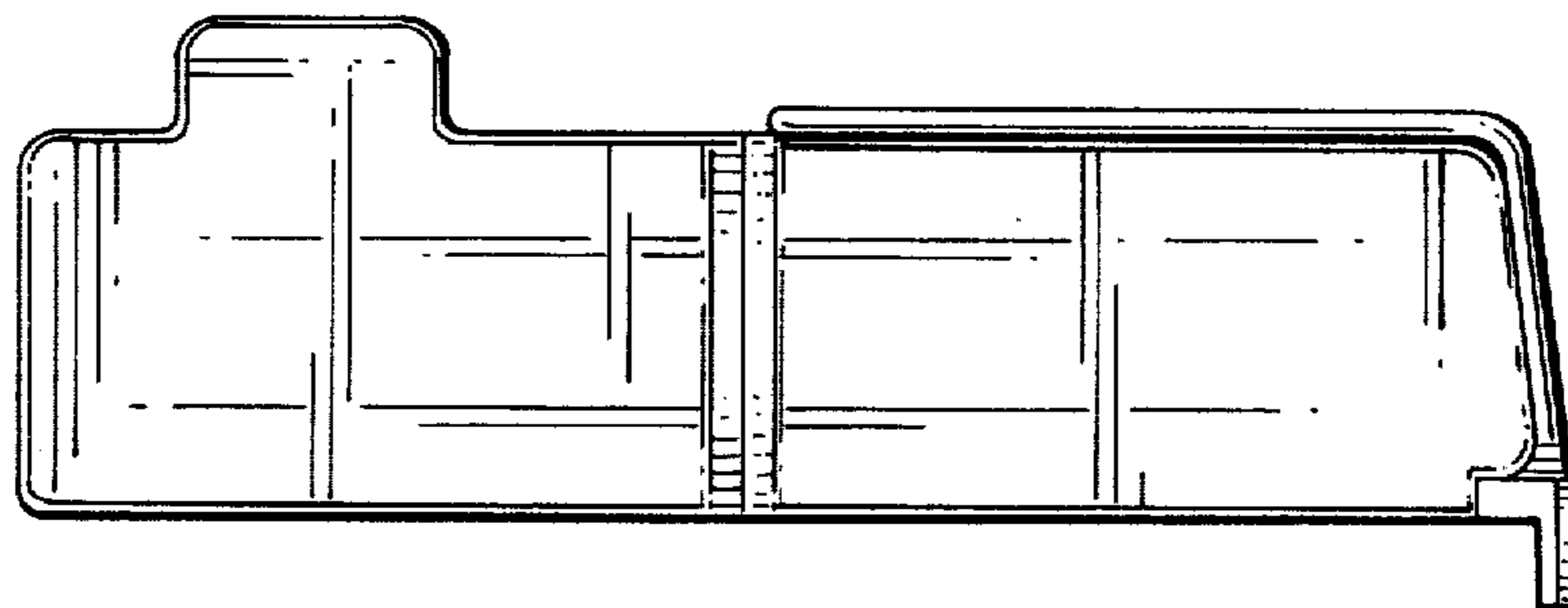


FIG. 3



FIG. 4

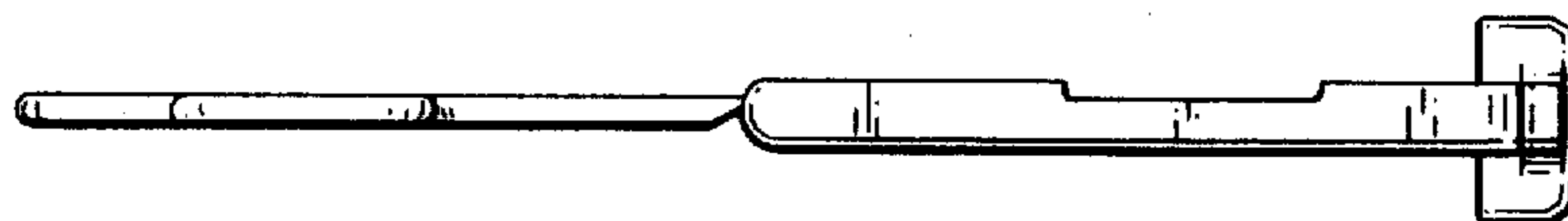


FIG. 5

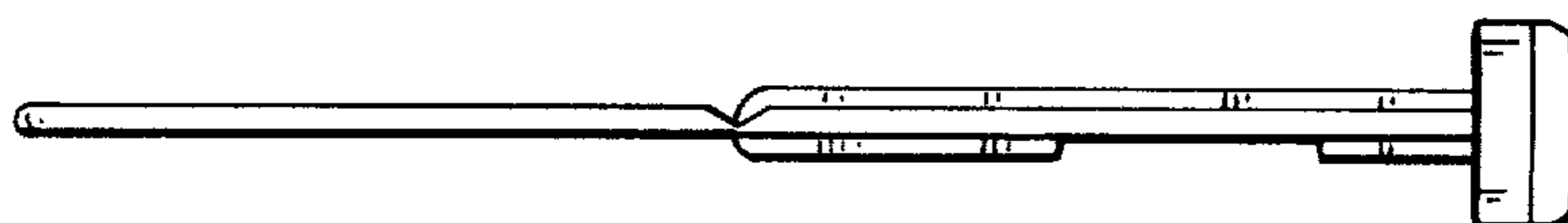


FIG. 6