

[54] SERVING BOWL OR SIMILAR ARTICLE

[76] Inventor: Jean-Jacques Durand, LaGarenne, 62510 Arques, France

[**] Term: 14 Years

[21] Appl. No.: 306,387

[22] Filed: Sep. 28, 1981

[51] Int. Cl. D07-01

[52] U.S. Cl. D7/28

[58] Field of Search D11/152, 153, 154; D7/23, 20, 28, 17, 22, 27, 11, 13, 1, 3

[56] References Cited

U.S. PATENT DOCUMENTS

- D. 120,227 4/1940 May D7/28
- D. 189,648 1/1961 Wish D7/17
- D. 213,841 4/1969 Benes D7/28
- D. 241,265 8/1976 Rothbauer D11/154 X
- D. 258,729 3/1981 Harshman et al. D11/154
- D. 266,724 11/1982 Durand D7/11

OTHER PUBLICATIONS

Fostoria Glass Co. Cat., Jan. 1, 1966, p. 10, item #600, Punch Bowl, left col., 4th down.

Primary Examiner—Winifred E. Herrmann
Attorney, Agent, or Firm—D. Paul Weaver

[57] CLAIM

The ornamental design for a serving bowl or similar article, substantially as shown and described.

DESCRIPTION

FIG. 1 is a side elevational view of a serving bowl or similar article showing my new design;

FIG. 2 is a top plan view thereof;

FIG. 3 is a bottom plan view thereof; and

FIG. 4 is a sectional view thereof taken along the lines 4-4 of FIG. 2.

The facets in FIGS. 1 and 3 that would be visible through the walls in FIGS. 2 and 4 have been omitted for clarity of illustration.

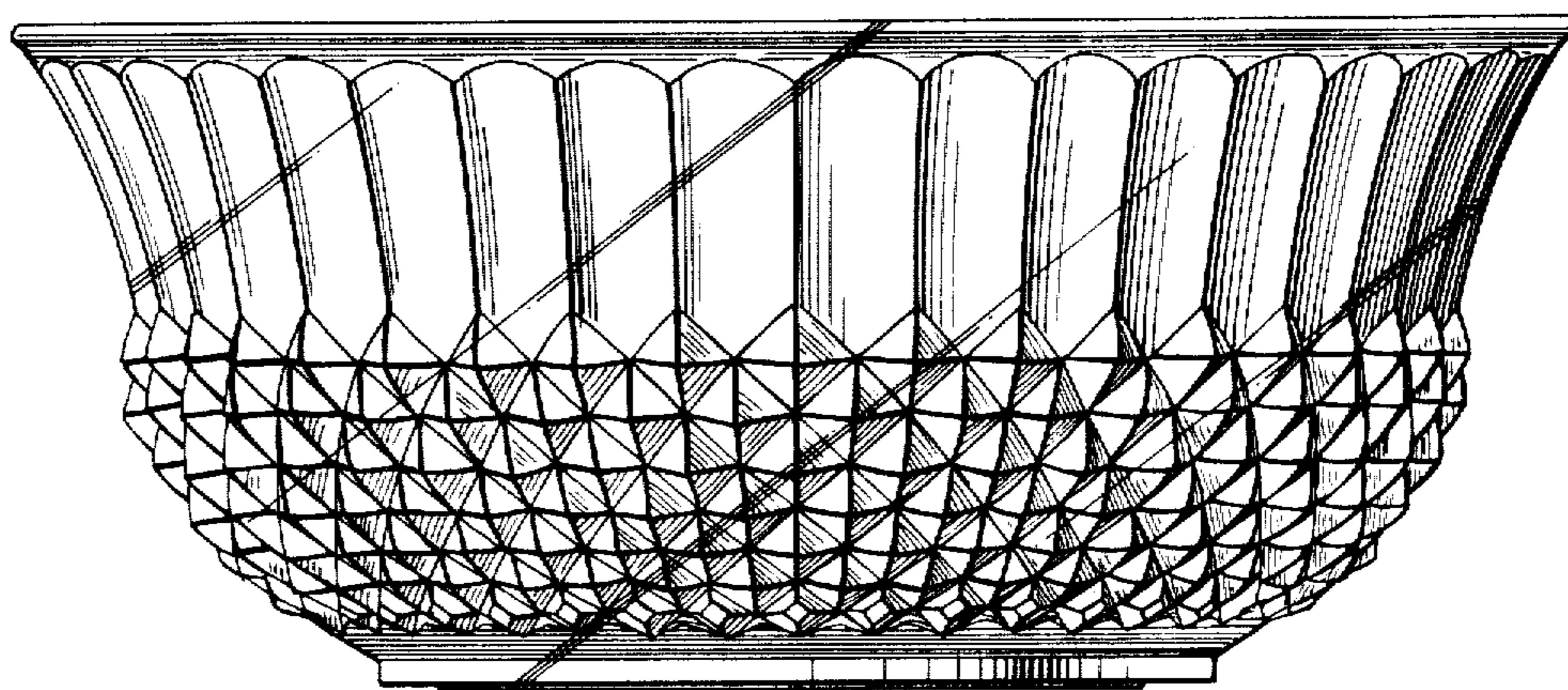
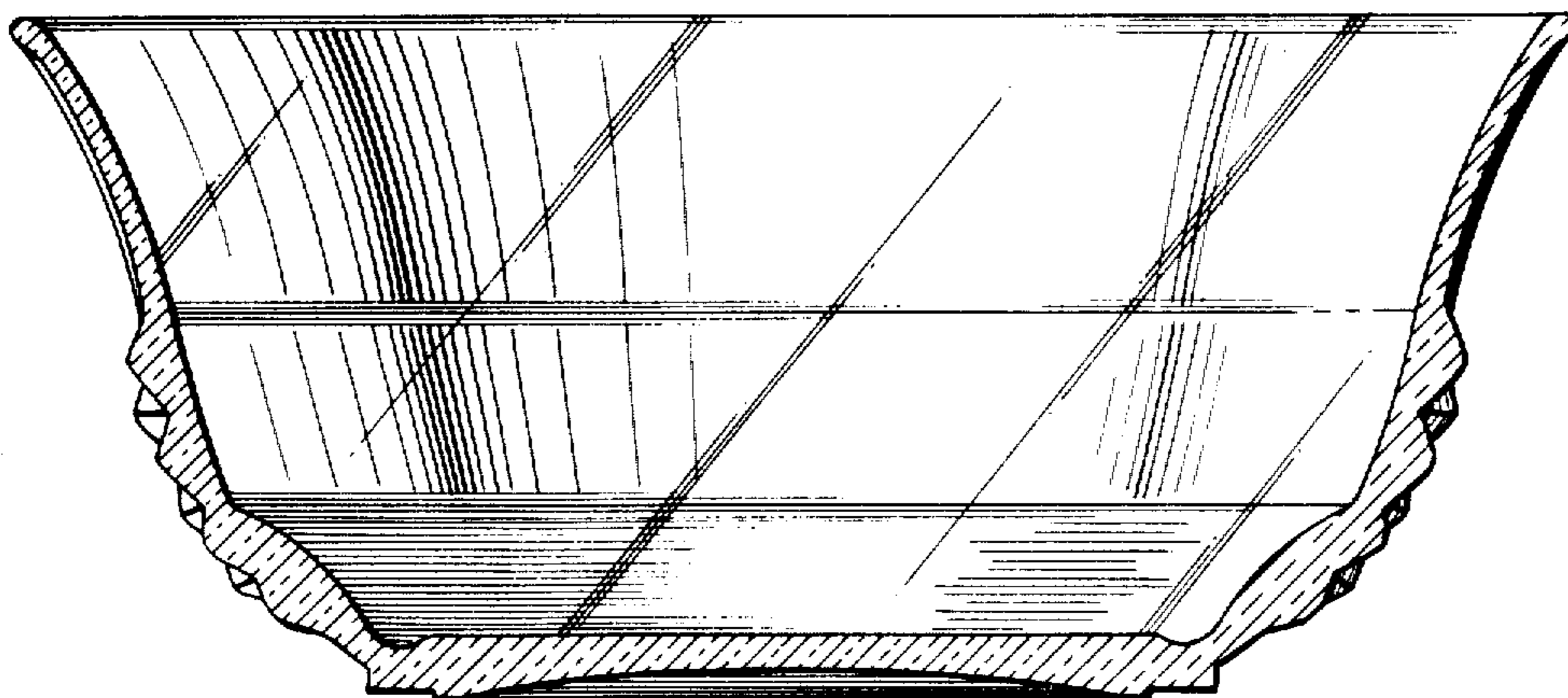


Fig. 1

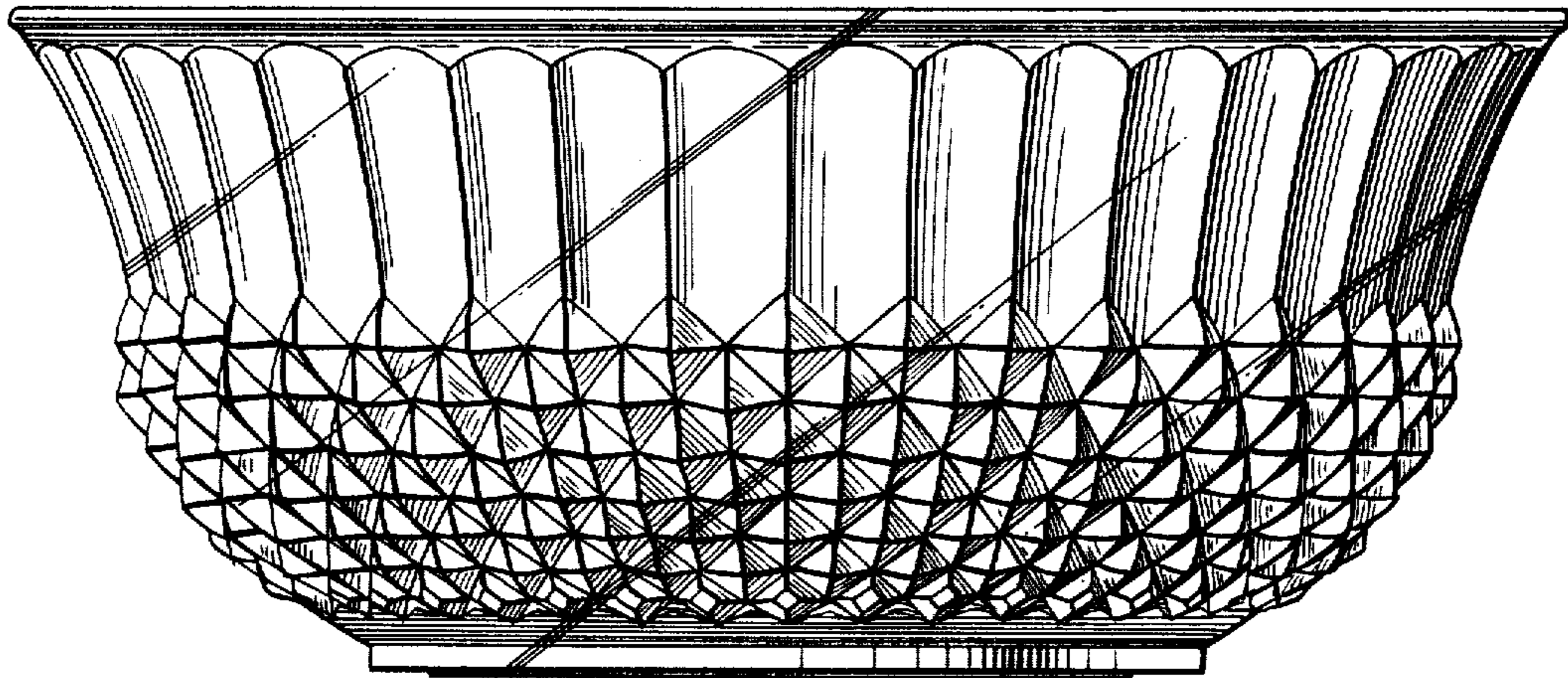


Fig. 2

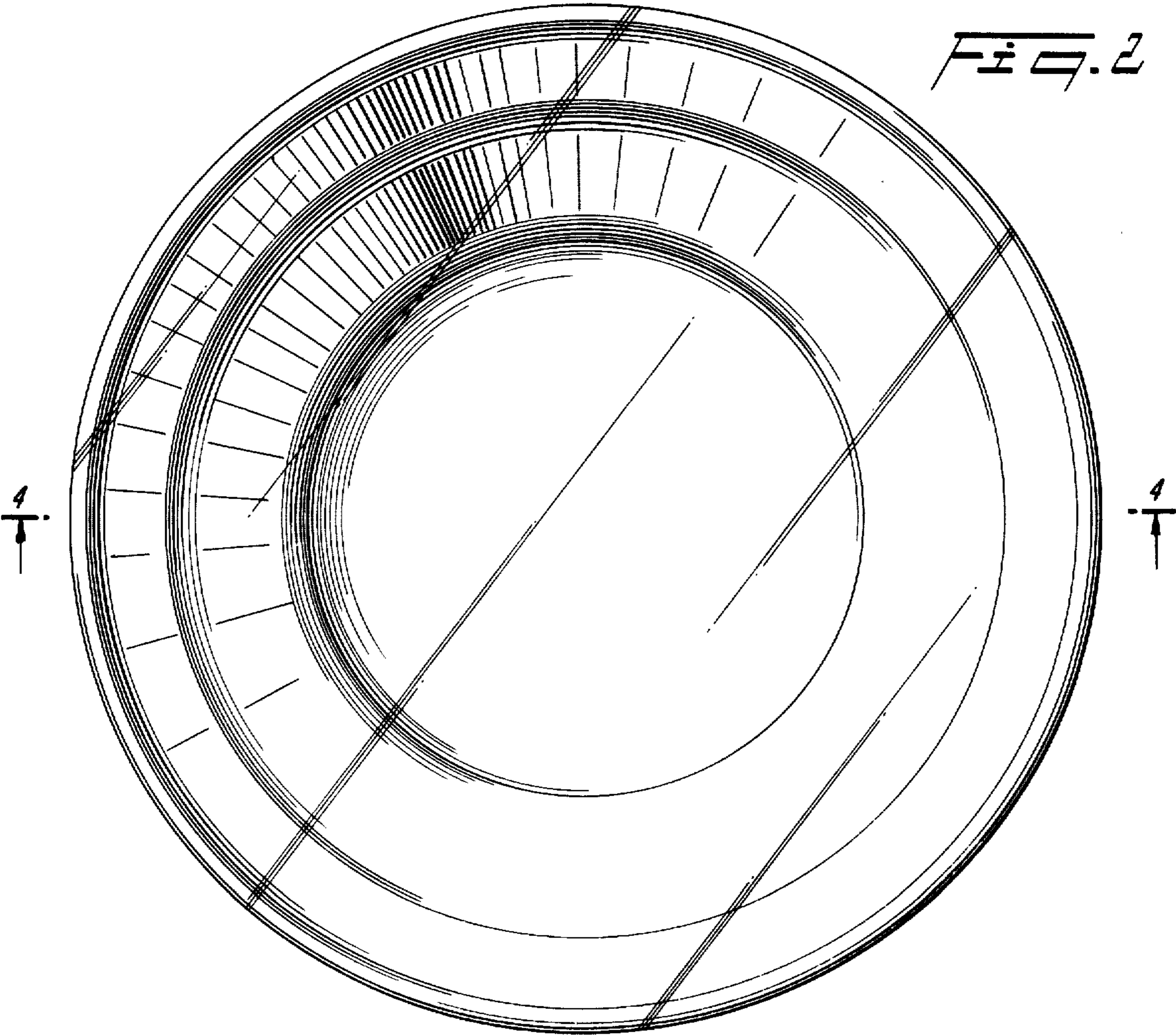


FIG. 3

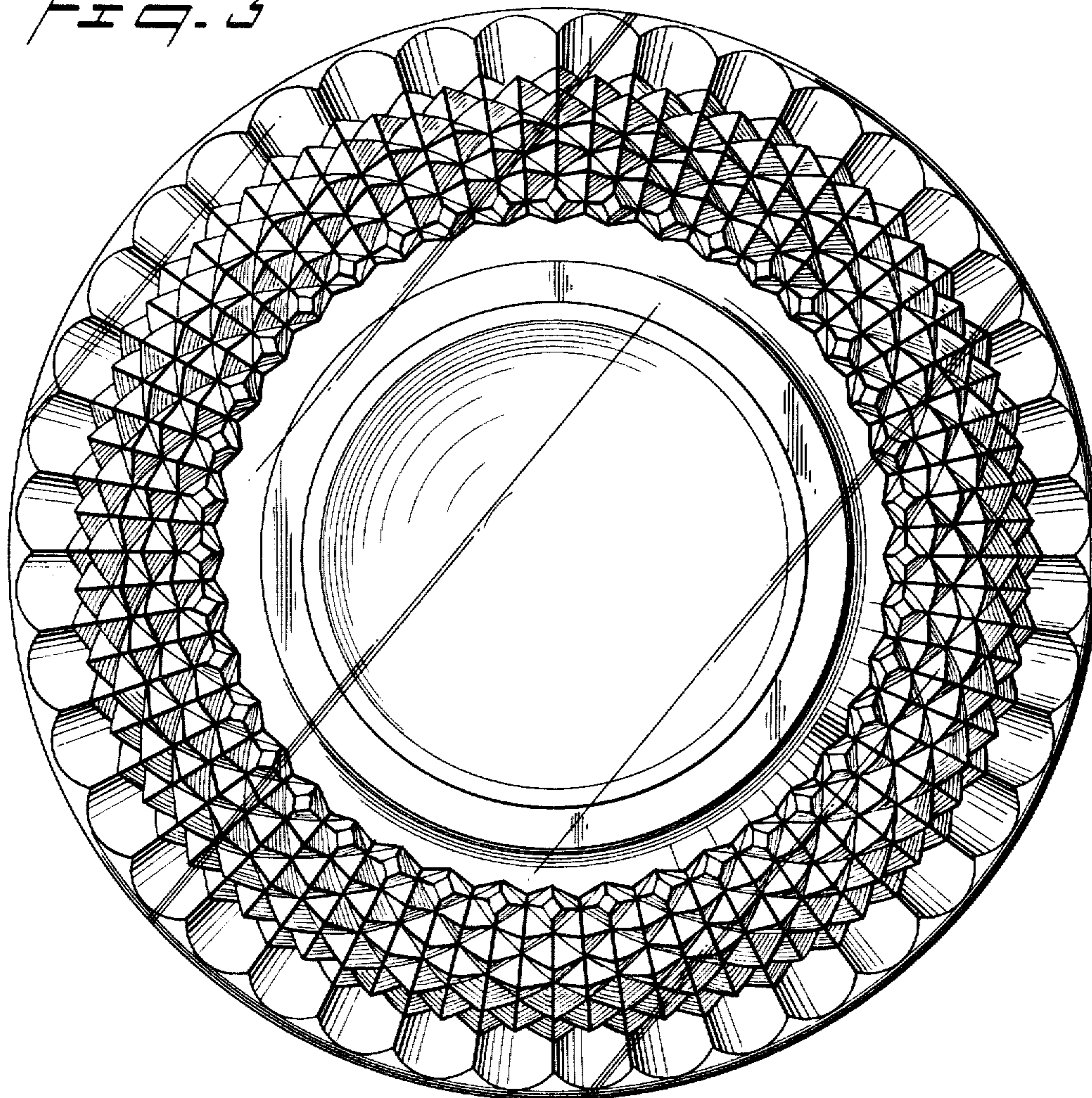


FIG. 4

