

[54] **BAR OF SOAP**

[76] **Inventor:** Kiyoshi Otsuka, Kato-so, 2166, Futoo-cho, Kouhoku-ku, Yokohama, Japan

[**] **Term:** 14 Years

[21] **Appl. No.:** 304,928

[22] **Filed:** Sep. 23, 1981

[51] **Int. Cl.** D28-02

[52] **U.S. Cl.** D28/8.1

[58] **Field of Search** D28/8.1, 8.2;
 252/DIG. 16, 90, 92, 134, 174; 248/359

[56] **References Cited**

U.S. PATENT DOCUMENTS

D. 16,588	3/1886	Smith	D28/8.1
D. 192,834	5/1962	Clawson et al.	D28/8.1
2,505,444	4/1950	Verbsky	252/92 X
4,335,007	6/1982	Owens	252/134 X

FOREIGN PATENT DOCUMENTS

5225 3/1894 United Kingdom D28/8.1

Primary Examiner—Louis S. Zarfes
Attorney, Agent, or Firm—Cantor and Lessler

[57] **CLAIM**

The ornamental design for a bar of soap, as shown and described.

DESCRIPTION

FIG. 1 is a top perspective view of a bar of soap showing my new design;
 FIG. 2 is a bottom perspective view thereof;
 FIG. 3 is a vertical cross-sectional view taken on the cutting line shown in FIG. 1;
 FIG. 4 is a top plan view thereof;
 FIG. 5 is a bottom plan view thereof;
 FIG. 6 is a side elevational view thereof; and
 FIG. 7 is an end elevational view thereof.
 The side view not shown and the end view not shown are identical to the illustrated side and end views, respectively.

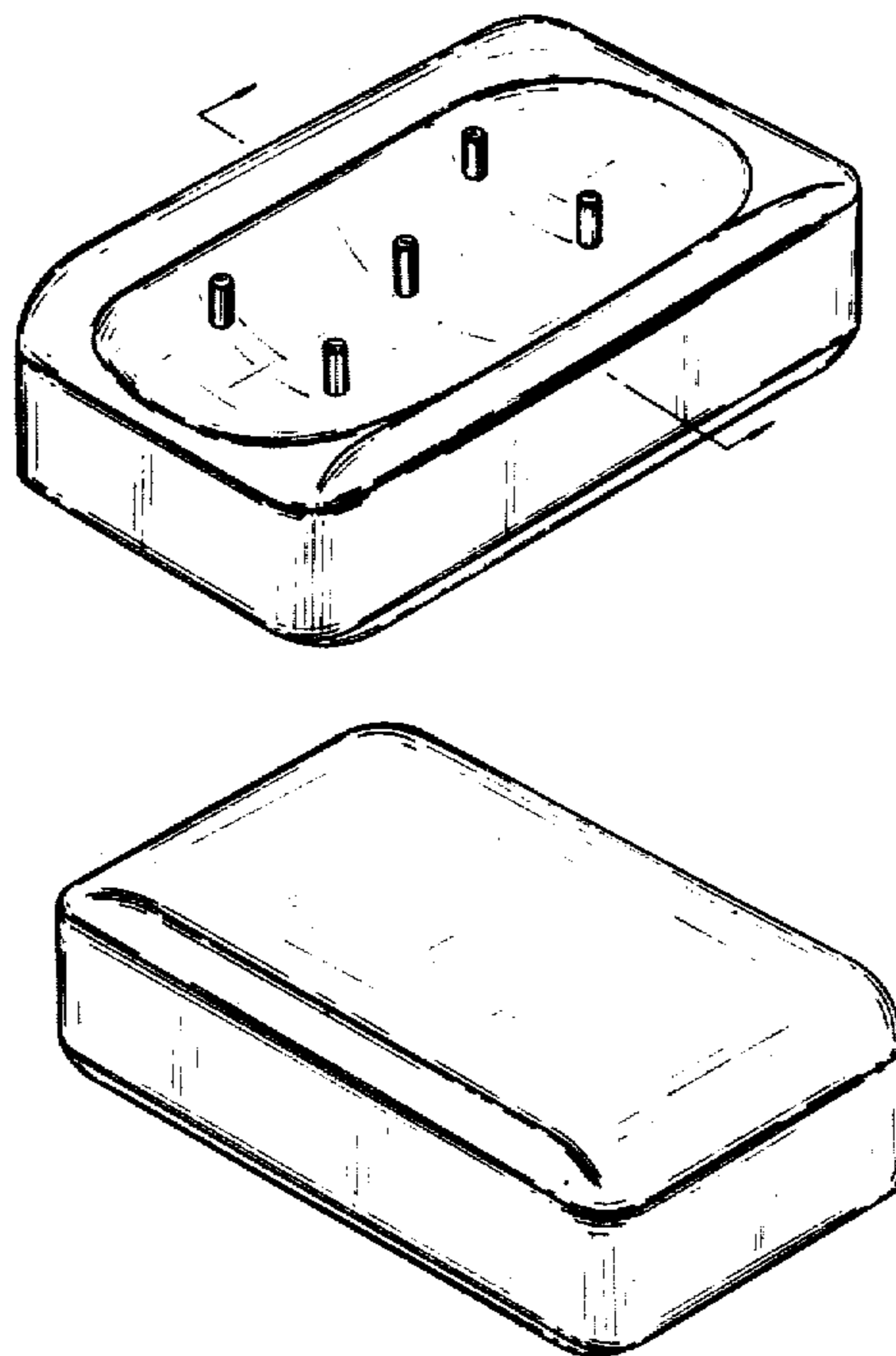


FIG. 1

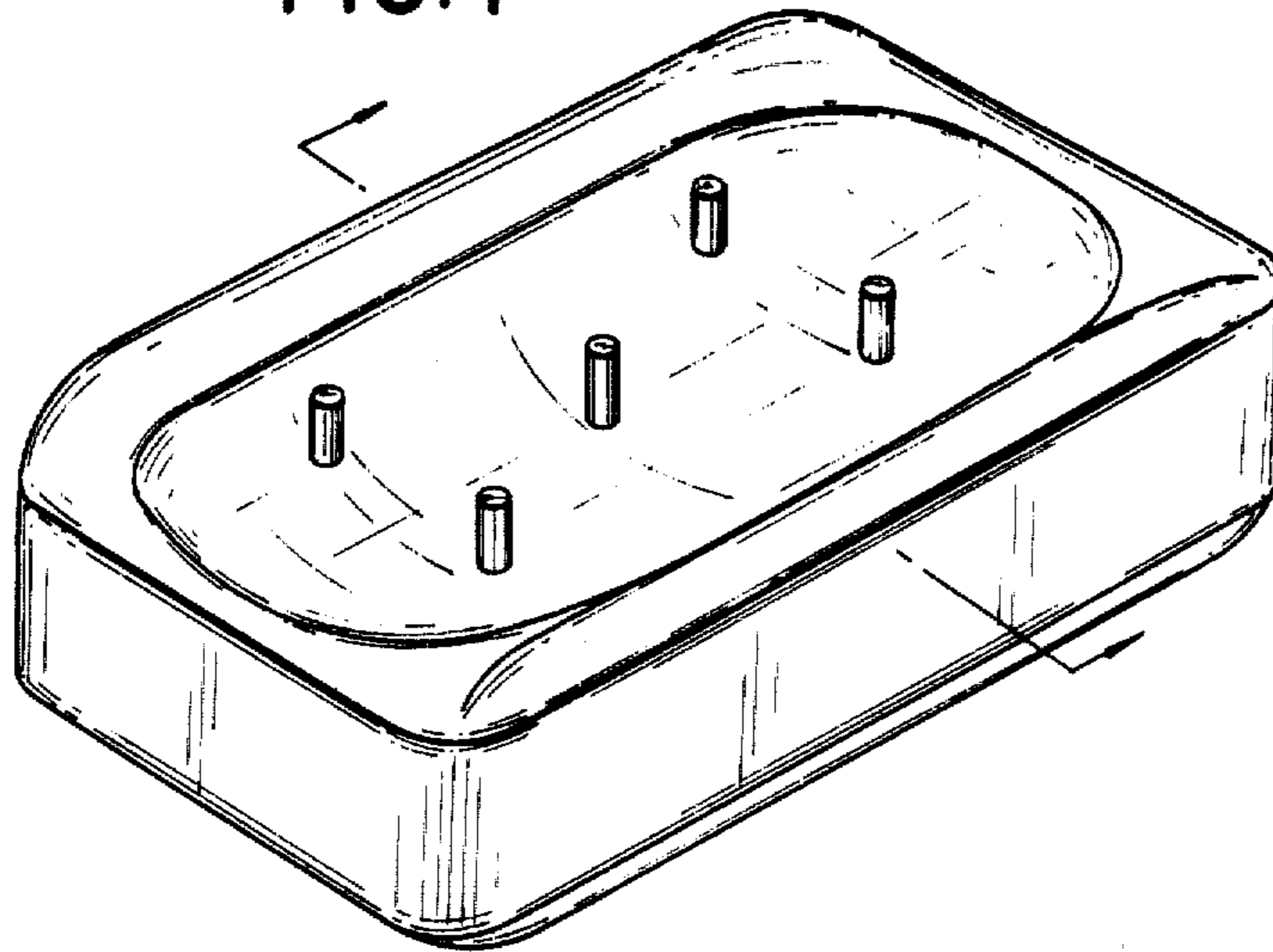


FIG. 2

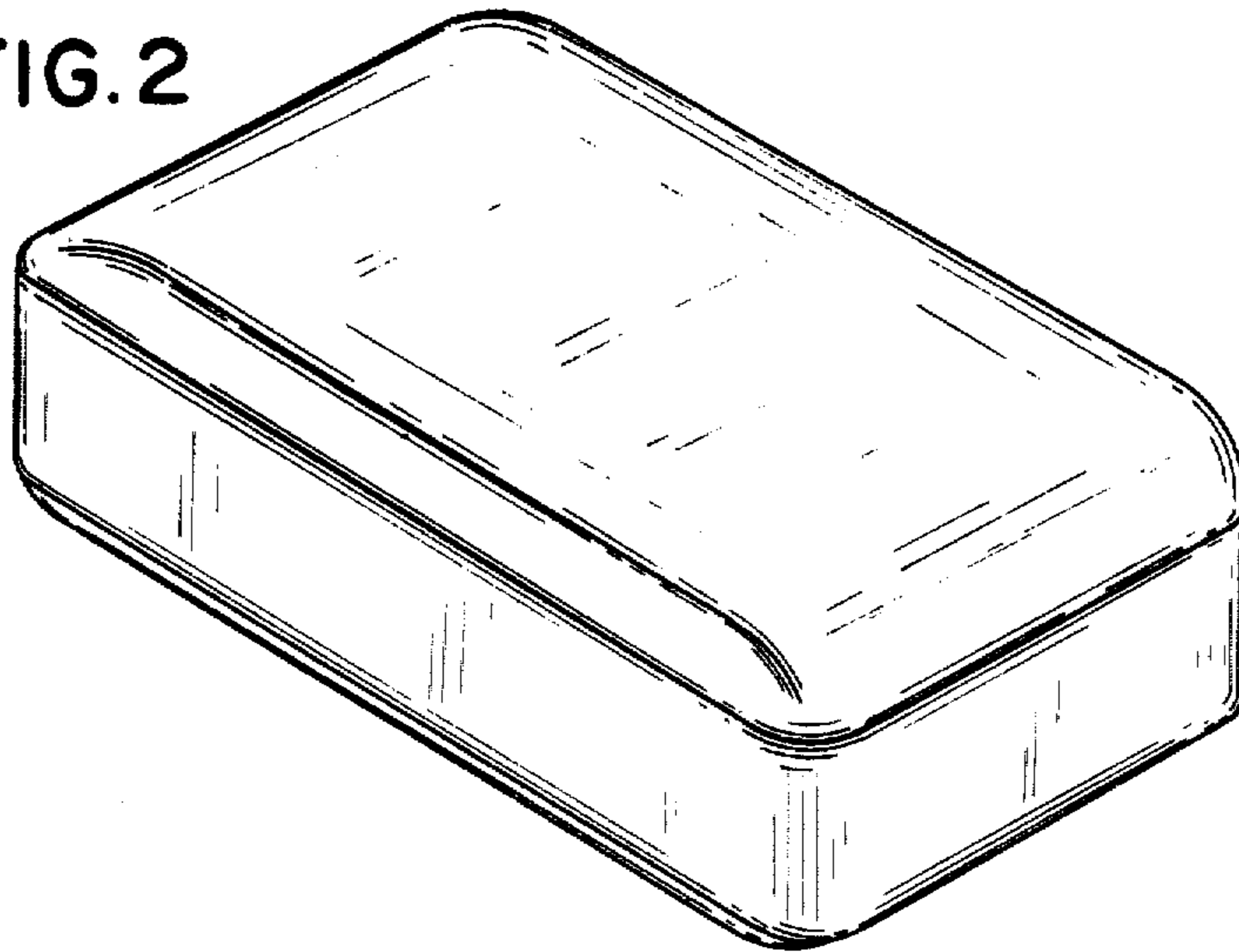


FIG. 3

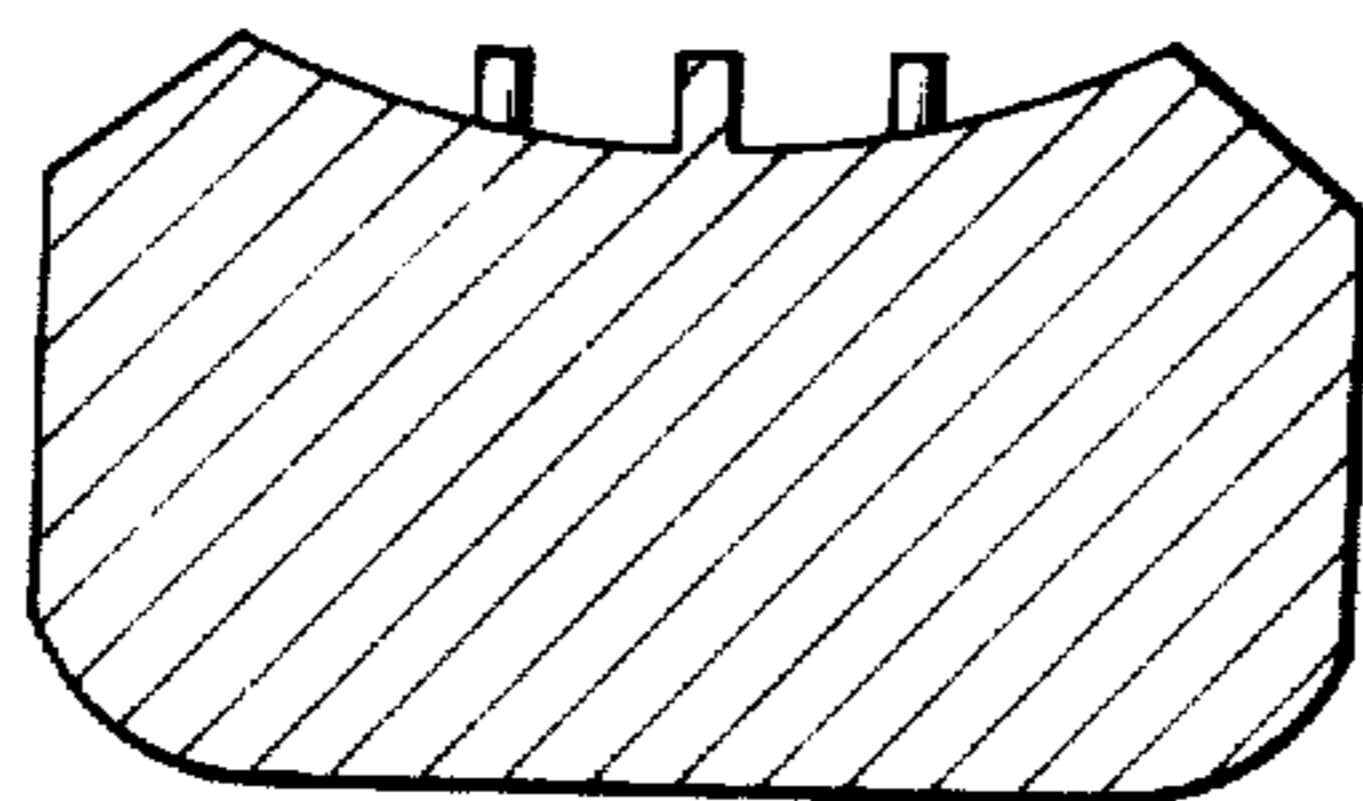


FIG. 4

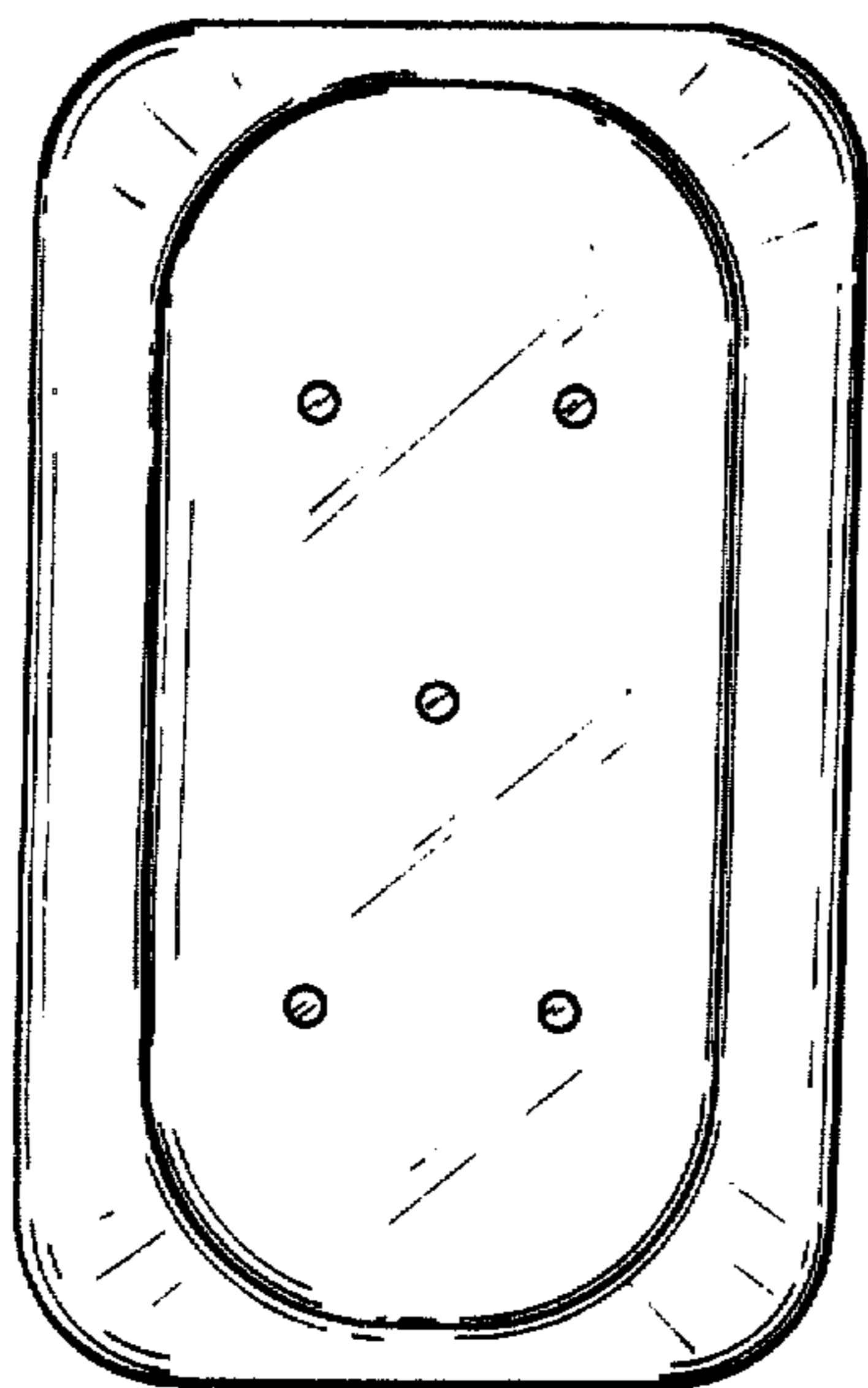


FIG. 5

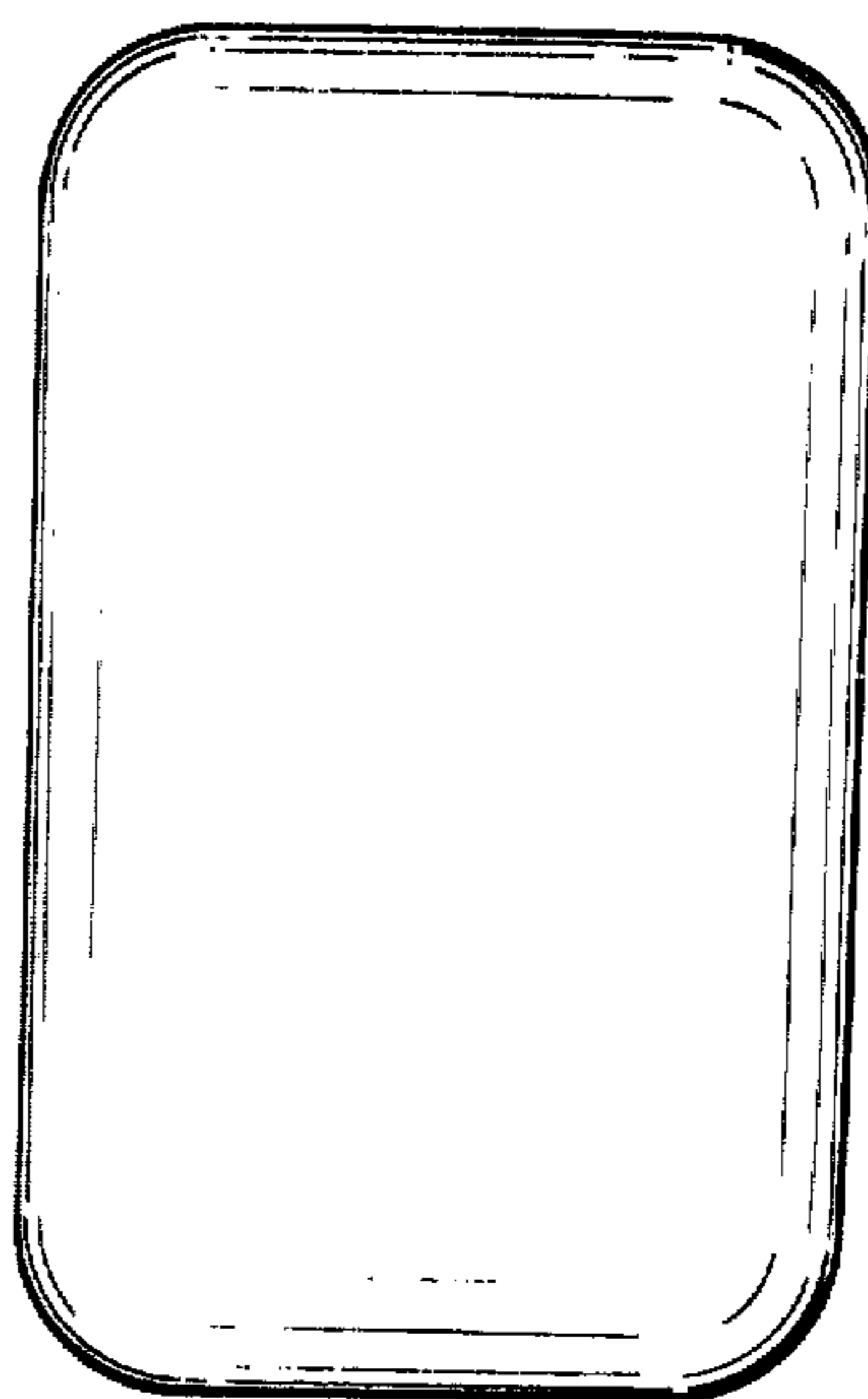


FIG. 6

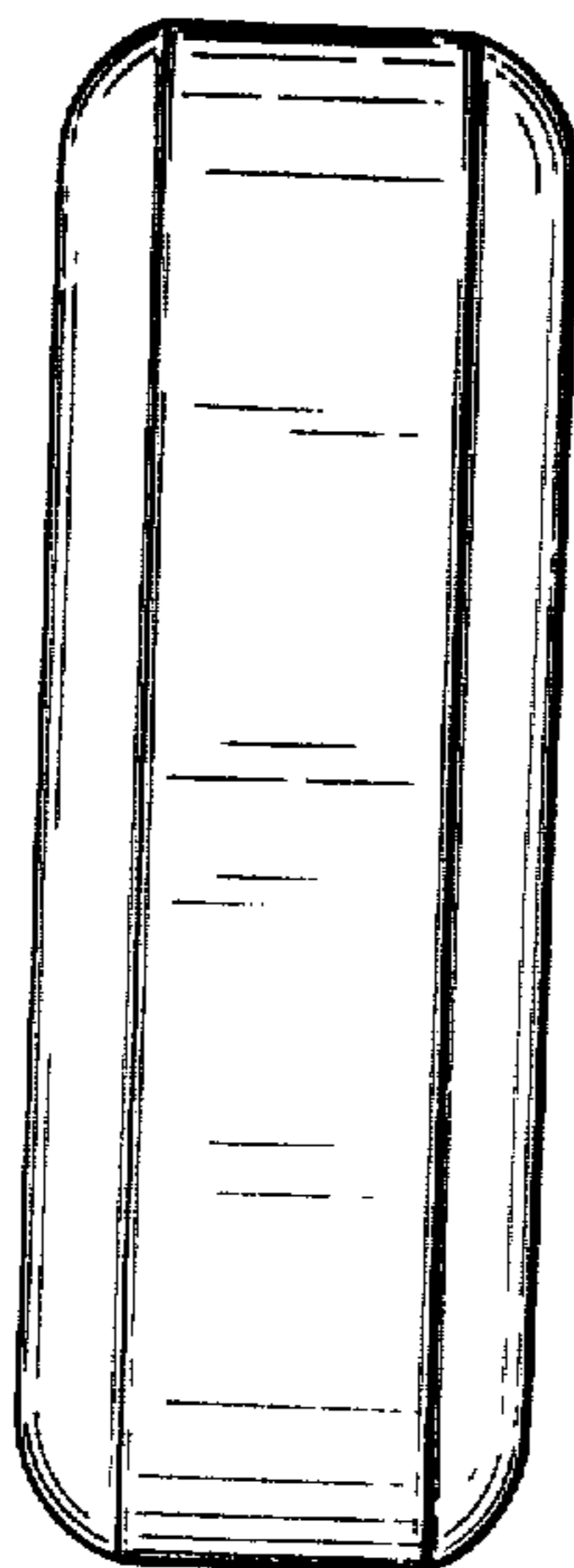


FIG. 7

