

[54] COMBINATION ARTICULATION RAIL AND CONNECTING BAR FOR SCREEN WALLS AND SIMILAR ARTICLES

[76] Inventor: Ake K. Johansson, Strömstad, Sweden

[**] Term: 14 Years

[21] Appl. No.: 241,655

[22] Filed: Mar. 9, 1981

[51] Int. Cl. D25—01

[52] U.S. Cl. D25/74; D25/38

[58] Field of Search 57/738; D25/73, 74, D25/75, 76, 77, 78, 71, 38, 39, 42, 43, 44

[56] References Cited

FOREIGN PATENT DOCUMENTS

2140005 2/1973 Fed. Rep. of Germany 52/738
600090 6/1978 Switzerland 52/738

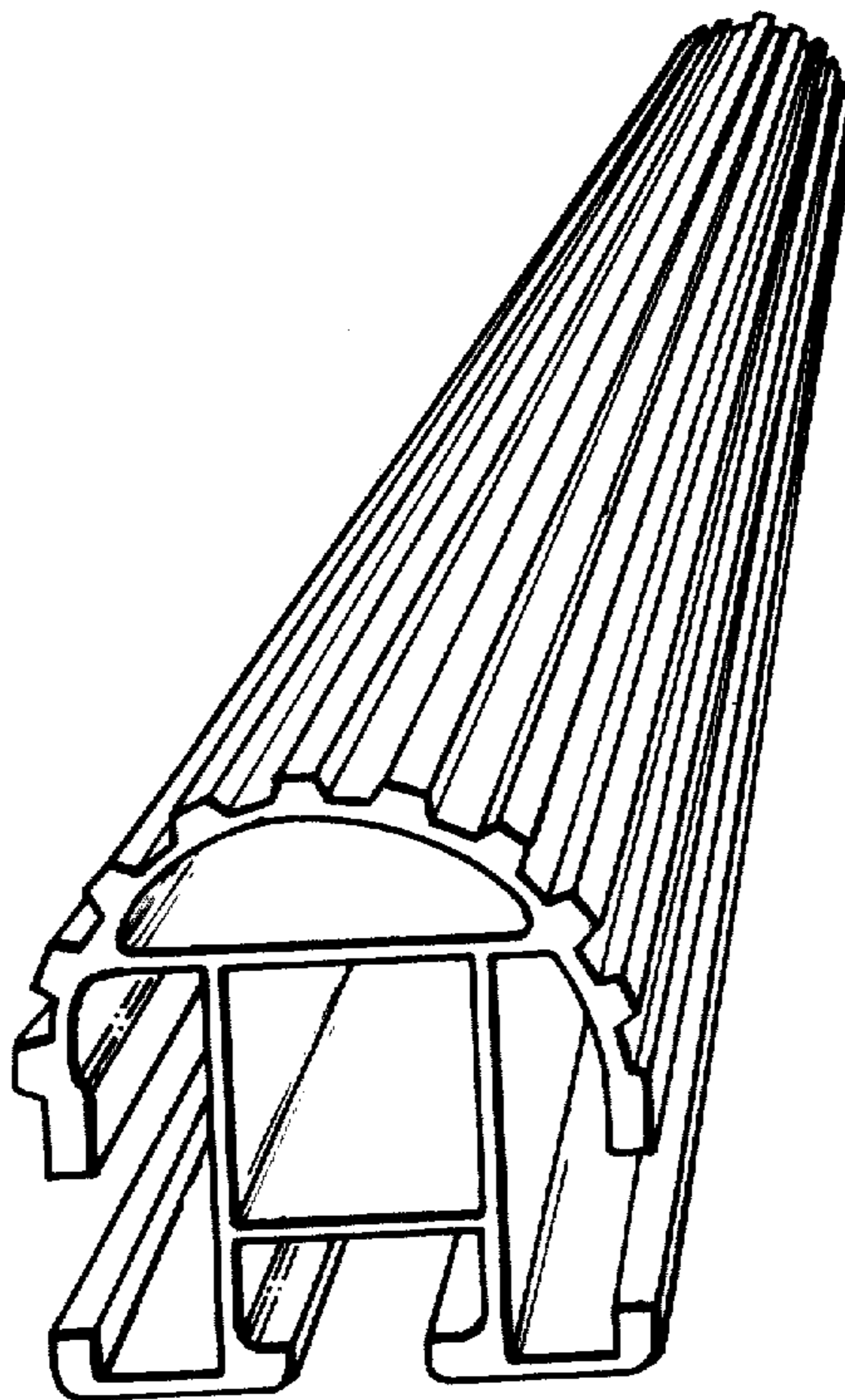
Primary Examiner—A. Hugo Word

[57] CLAIM

The ornamental design for a combination articulation rail and connecting bar for screen walls and similar articles, as shown and described.

DESCRIPTION

FIG. 1 is a perspective view of a combination articulation rail and connecting bar for screen walls and similar articles showing my new design; and FIG. 2 is a perspective view thereof rotated 180° from the position shown in FIG. 1.



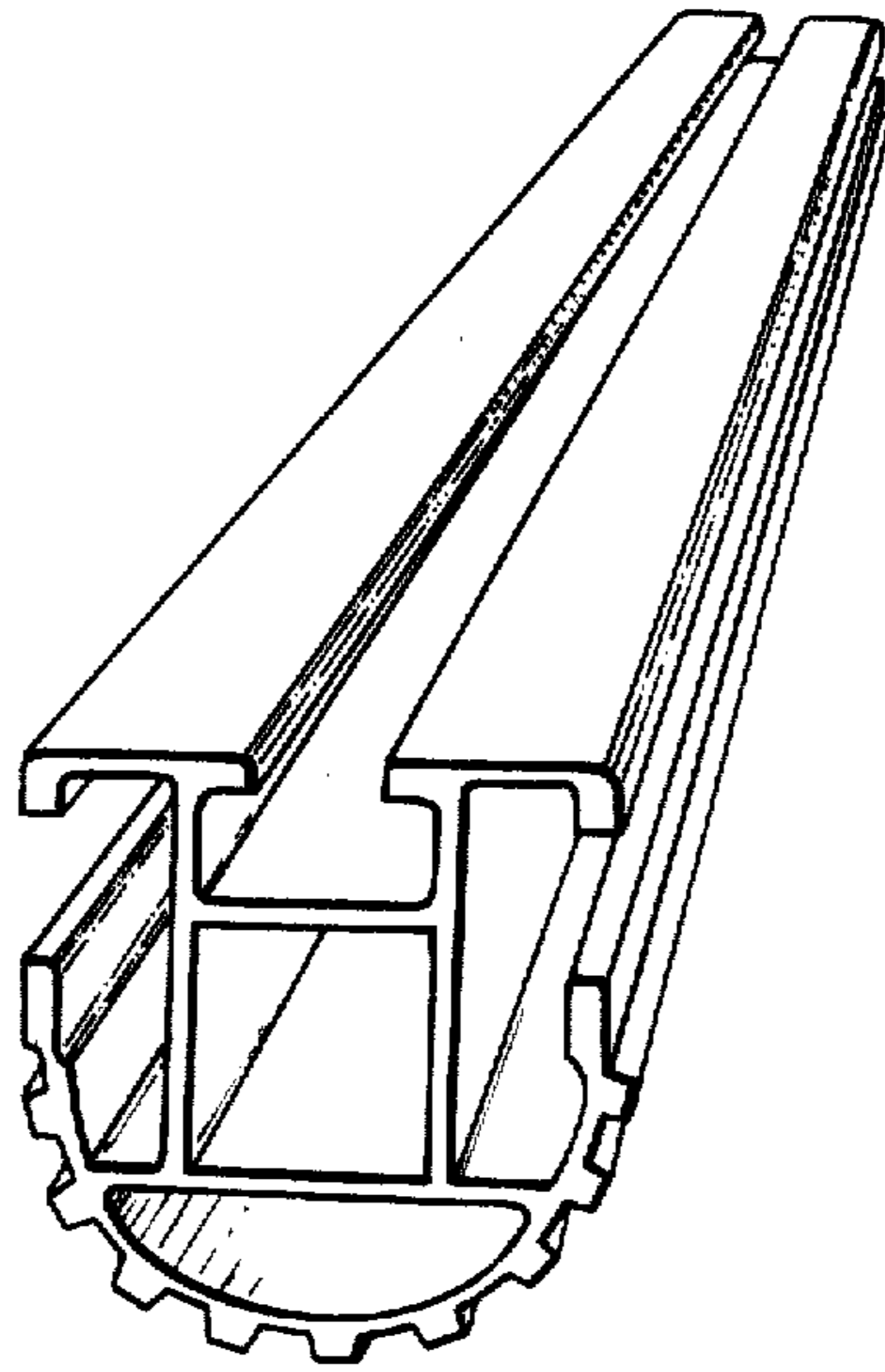


FIG. 1

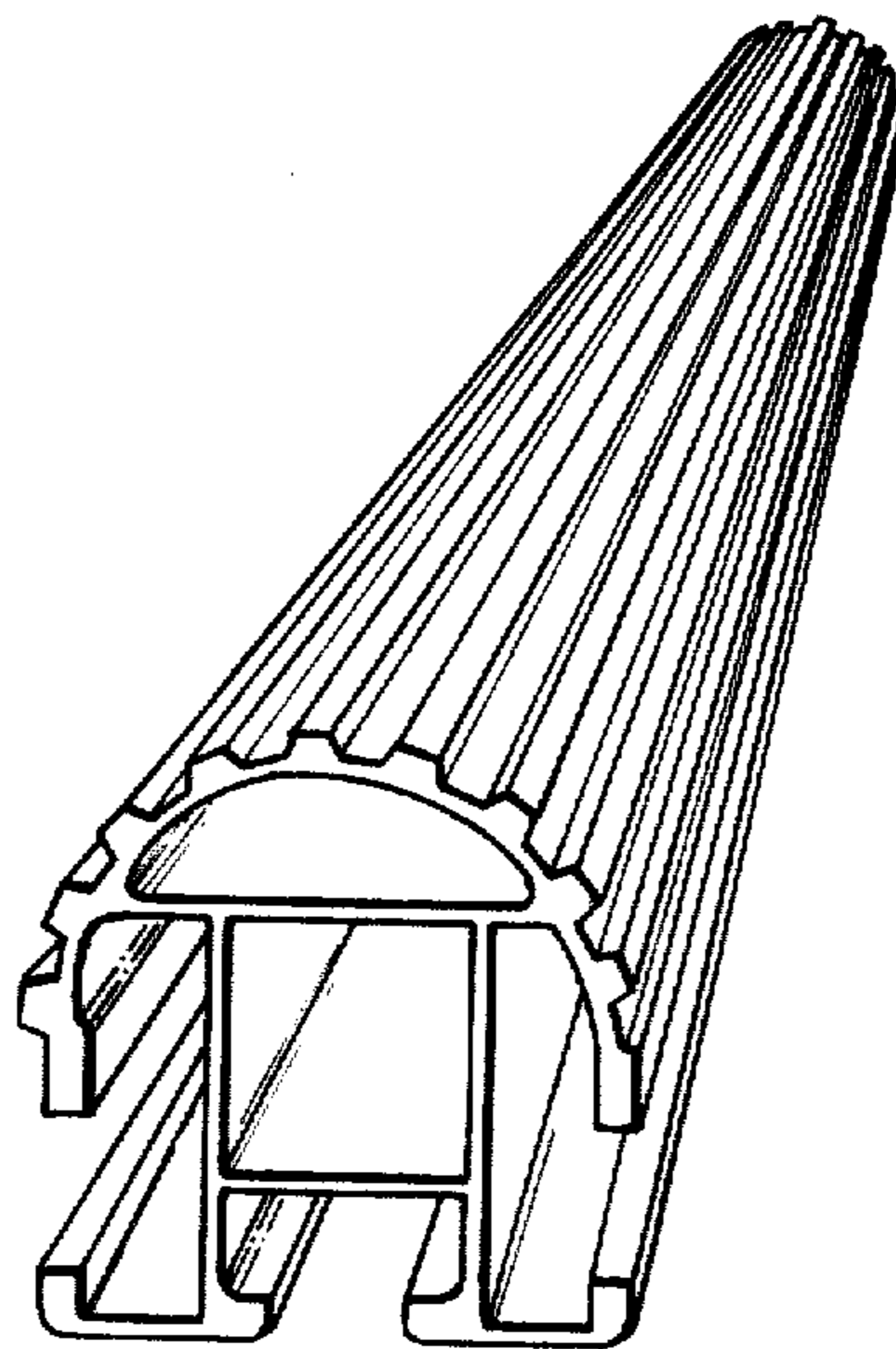


FIG. 2