

[54] **FISHING REEL**

[75] **Inventors:** Takeshi Shohoji, Funabashi;
Masakazu Sakamoto, Fukuyama,
both of Japan

[73] **Assignee:** Ryobi Ltd., Hiroshima, Japan

[**] **Term:** 14 Years

[21] **Appl. No.:** 252,485

[22] **Filed:** Apr. 8, 1981

[30] **Foreign Application Priority Data**

Oct. 16, 1980 [JP] Japan 55-43302

[51] **Int. Cl.** D22-05

[52] **U.S. Cl.** D22/25

[58] **Field of Search** D22/25; 242/84.1 R,
242/84.2 R, 84.2 A

[56] **References Cited**

U.S. PATENT DOCUMENTS

D. 255,702 7/1980 Inuma D22/25
D. 258,904 4/1981 Myojo D22/25

Primary Examiner—A. Hugo Word
Attorney, Agent, or Firm—Sughrue, Mion, Zinn,
Macpeak and Seas

[57] **CLAIM**

The ornamental design for a fishing reel, as shown.

DESCRIPTION

FIG. 1 is a left side elevational view of a fishing reel showing our new design;
FIG. 2 is a right side elevational view thereof;
FIG. 3 is a top plan view thereof;
FIG. 4 is a rear elevational view thereof;
FIG. 5 is a front elevational view thereof; and
FIG. 6 is a bottom plan view thereof.

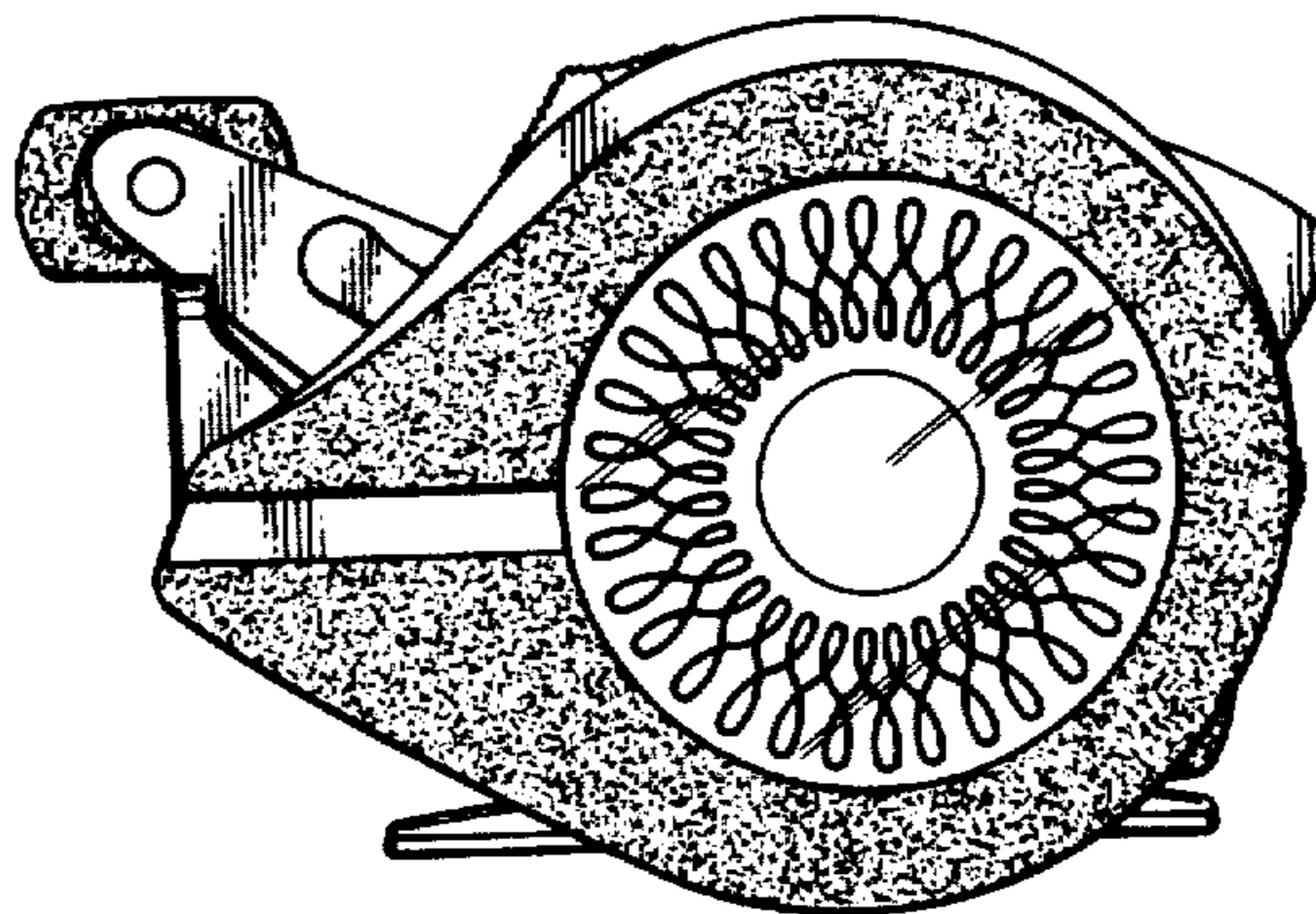


Fig. 1

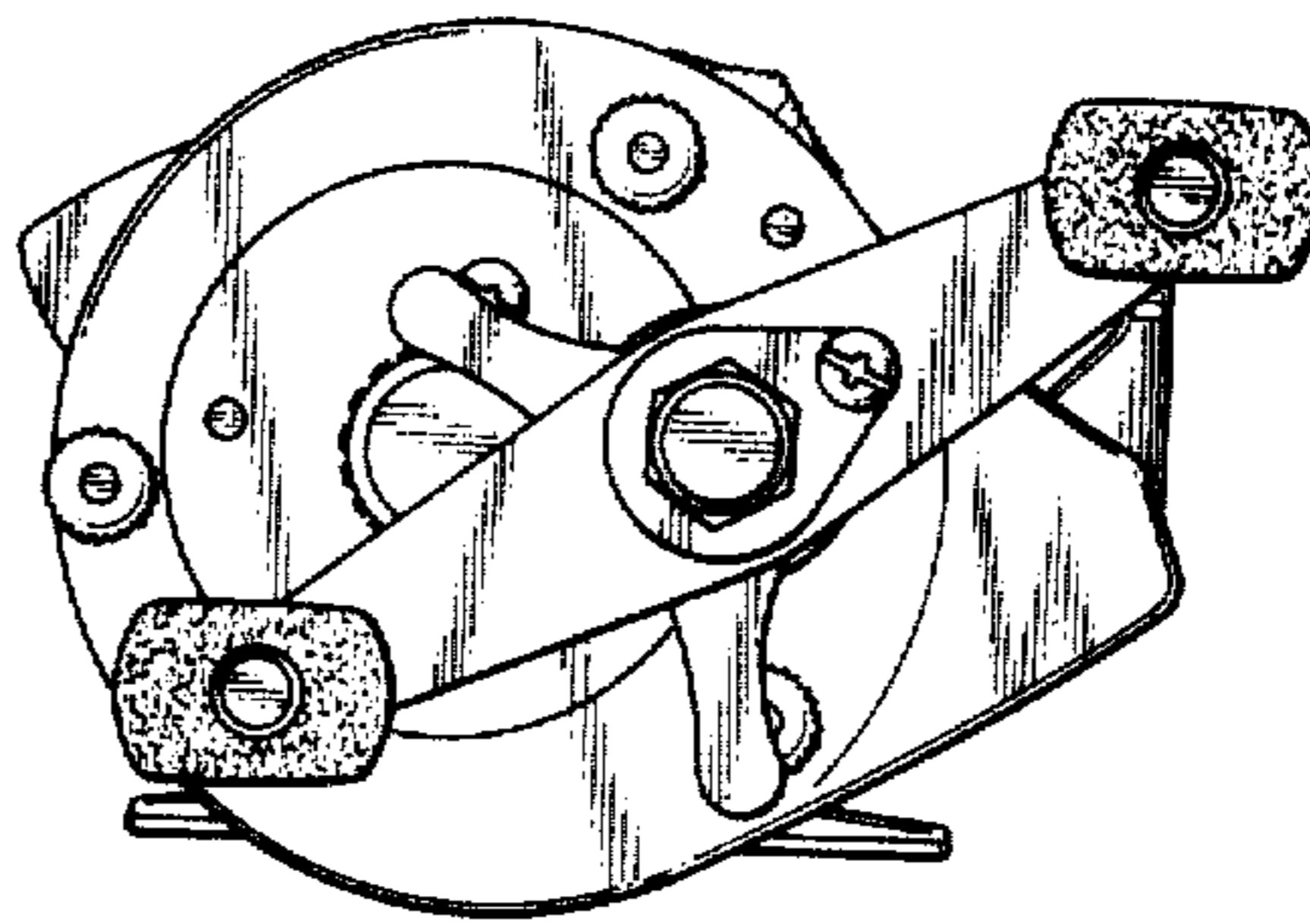


Fig. 2

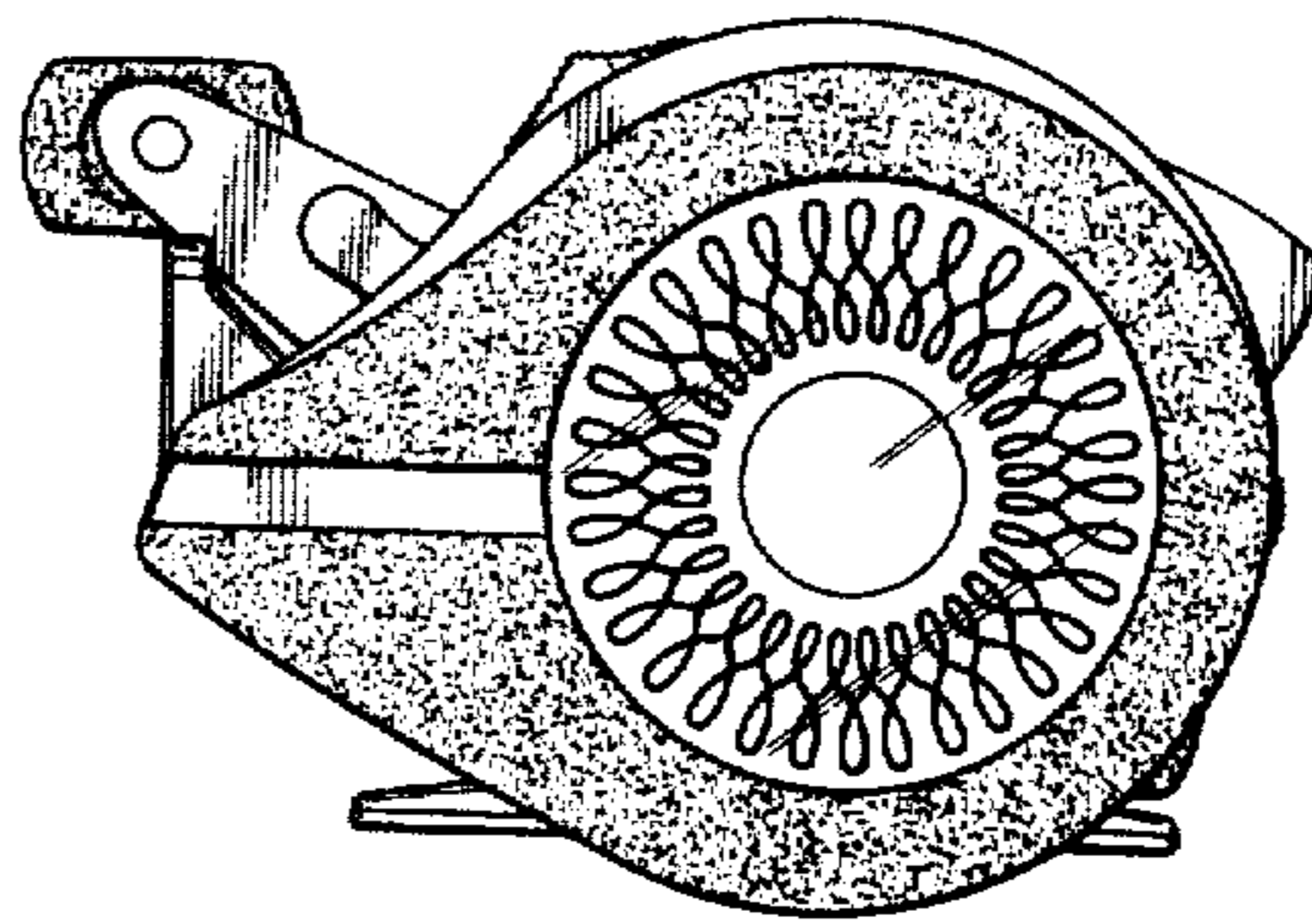


Fig. 3

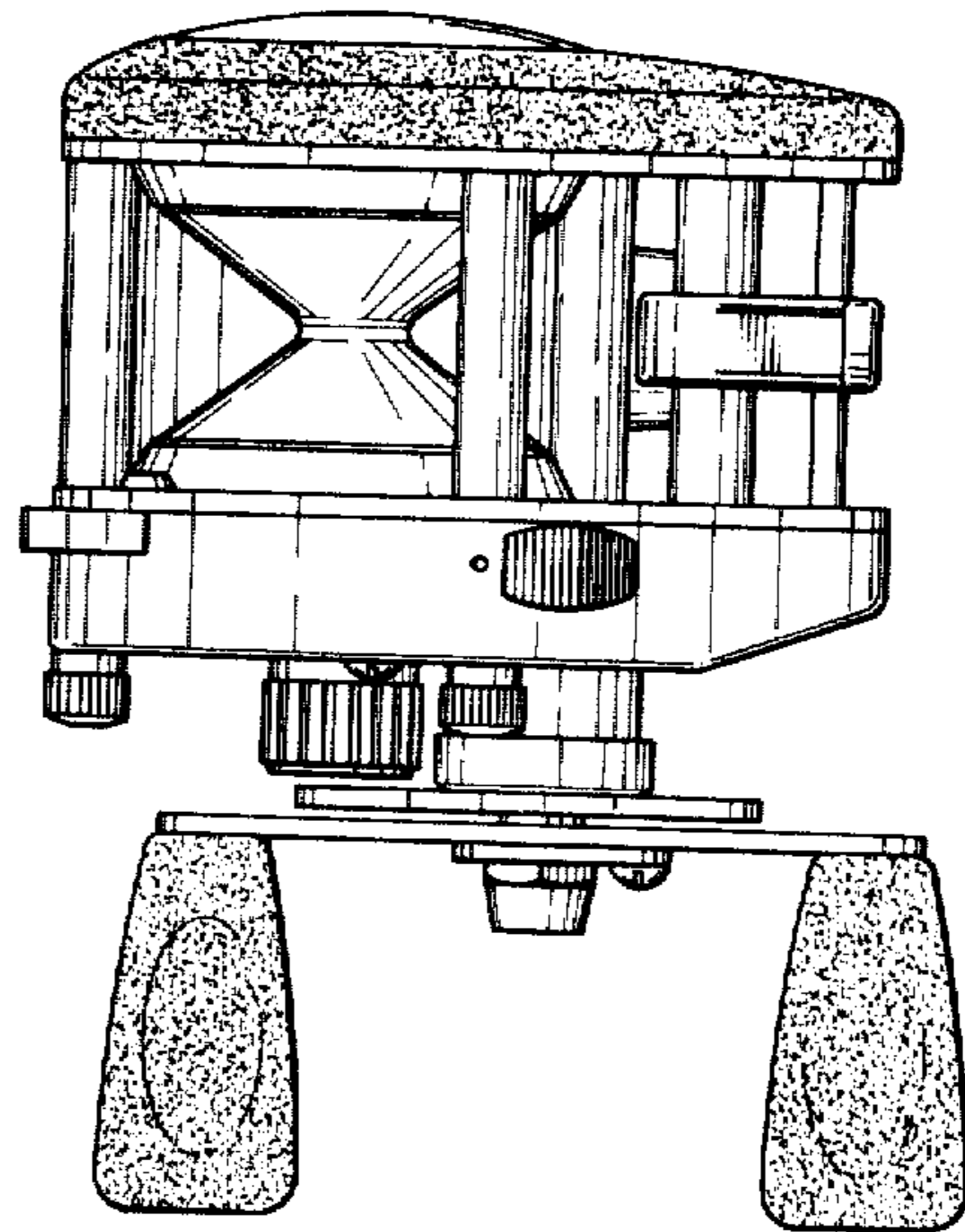


Fig. 4

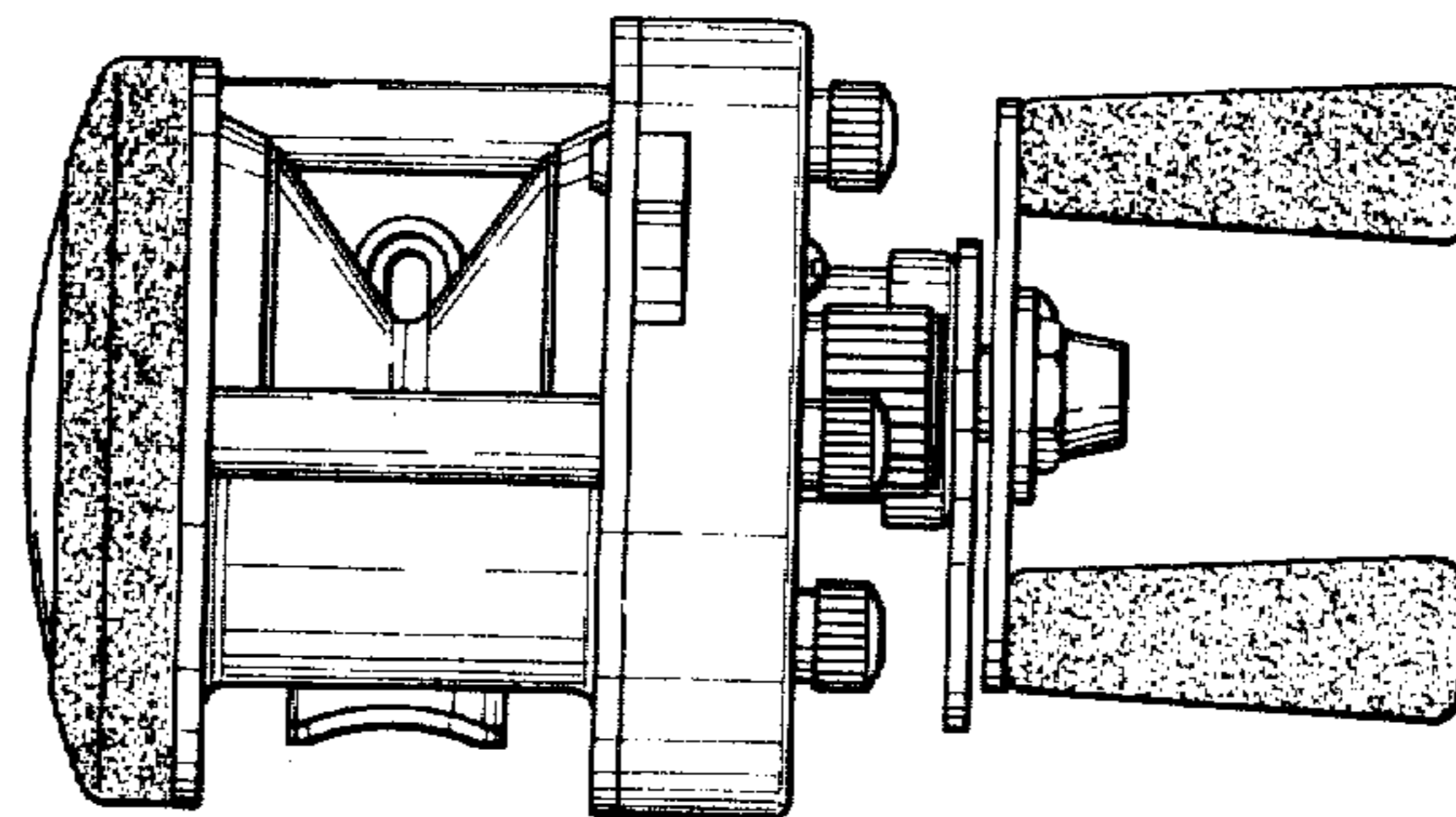


Fig. 5

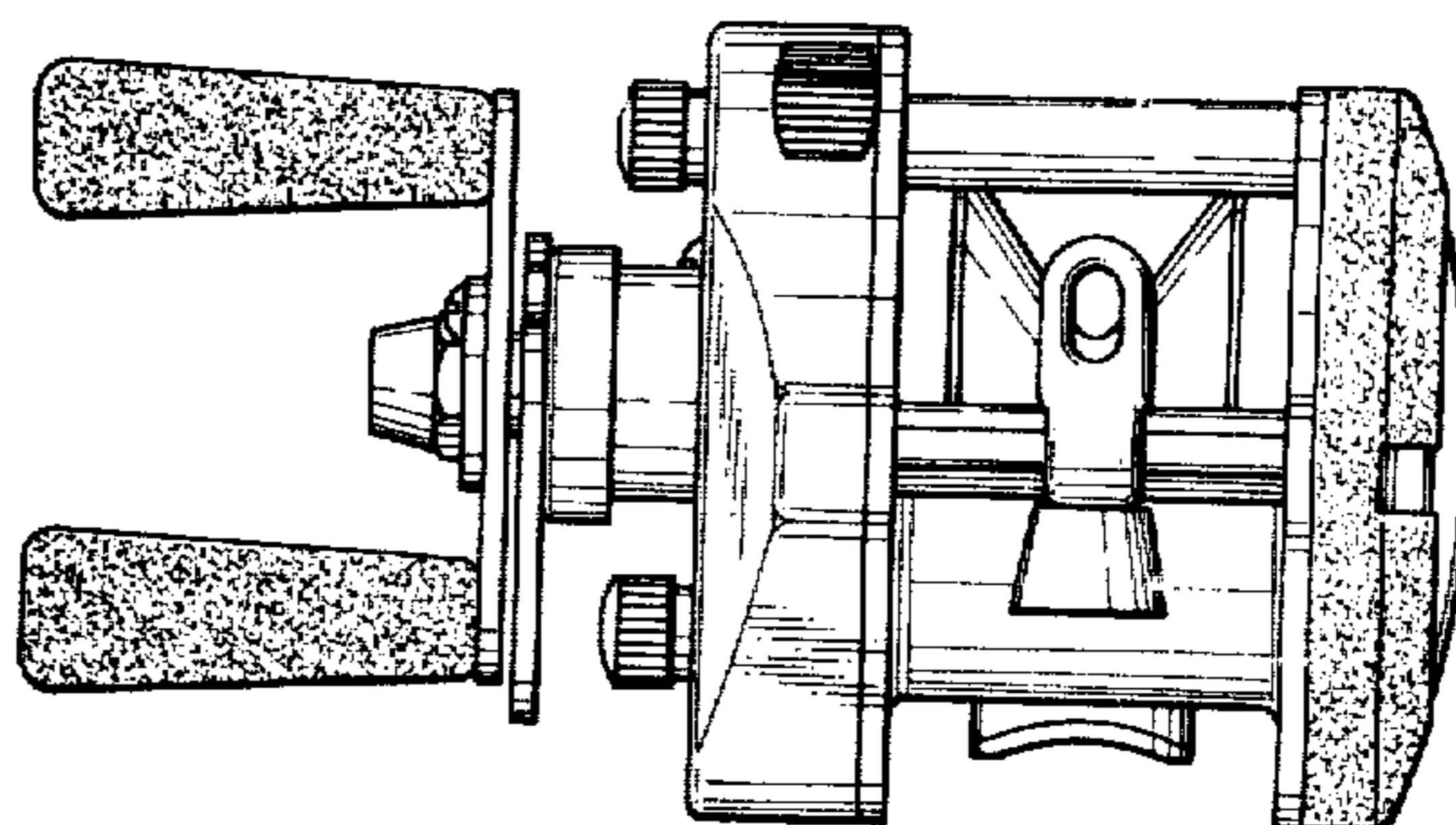


Fig. 6

