

[54] **LINE GUIDE**

[75] **Inventor:** Shigeru Yamamoto, Higashikurume, Japan

[73] **Assignee:** Daiwa Seiko, Inc., Tokyo, Japan

[**] **Term:** 14 Years

[21] **Appl. No.:** 251,604

[22] **Filed:** Apr. 6, 1981

[30] **Foreign Application Priority Data**

Oct. 4, 1980 [JP] Japan 55-41297

[51] **Int. Cl.** D22-05

[52] **U.S. Cl.** D22/24

[58] **Field of Search** 43/27; D22/24

[56] **References Cited**

U.S. PATENT DOCUMENTS

3,997,997 12/1976 Yamamoto 43/24
4,141,132 2/1979 Ohmura 43/24 X
4,174,583 11/1979 Ohmura 43/24

Primary Examiner—A. Hugo Word
Attorney, Agent, or Firm—Sughrue, Mion, Zinn, Macpeak & Seas

[57] **CLAIM**

The ornamental design for a line guide, as shown and described.

DESCRIPTION

FIG. 1 is a side elevational view of a line guide showing my new design, the opposite side being a mirror image thereof;

FIG. 2 is an end elevational view thereof;

FIG. 3 is an end elevational view thereof from the opposite end to that shown in FIG. 2;

FIG. 4 is a top plan view thereof;

FIG. 5 is a bottom plan view thereof; and

FIG. 6 is a perspective view thereof.

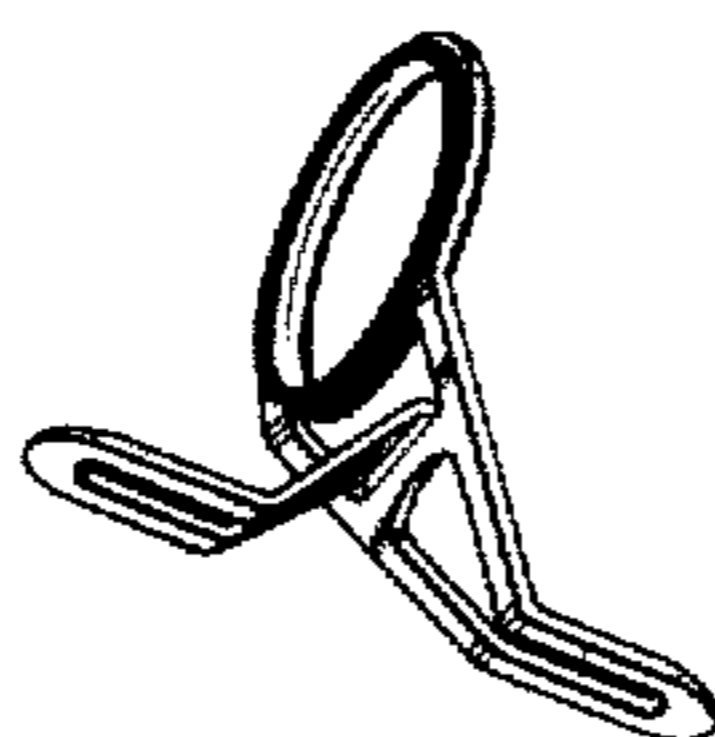


Fig. 1

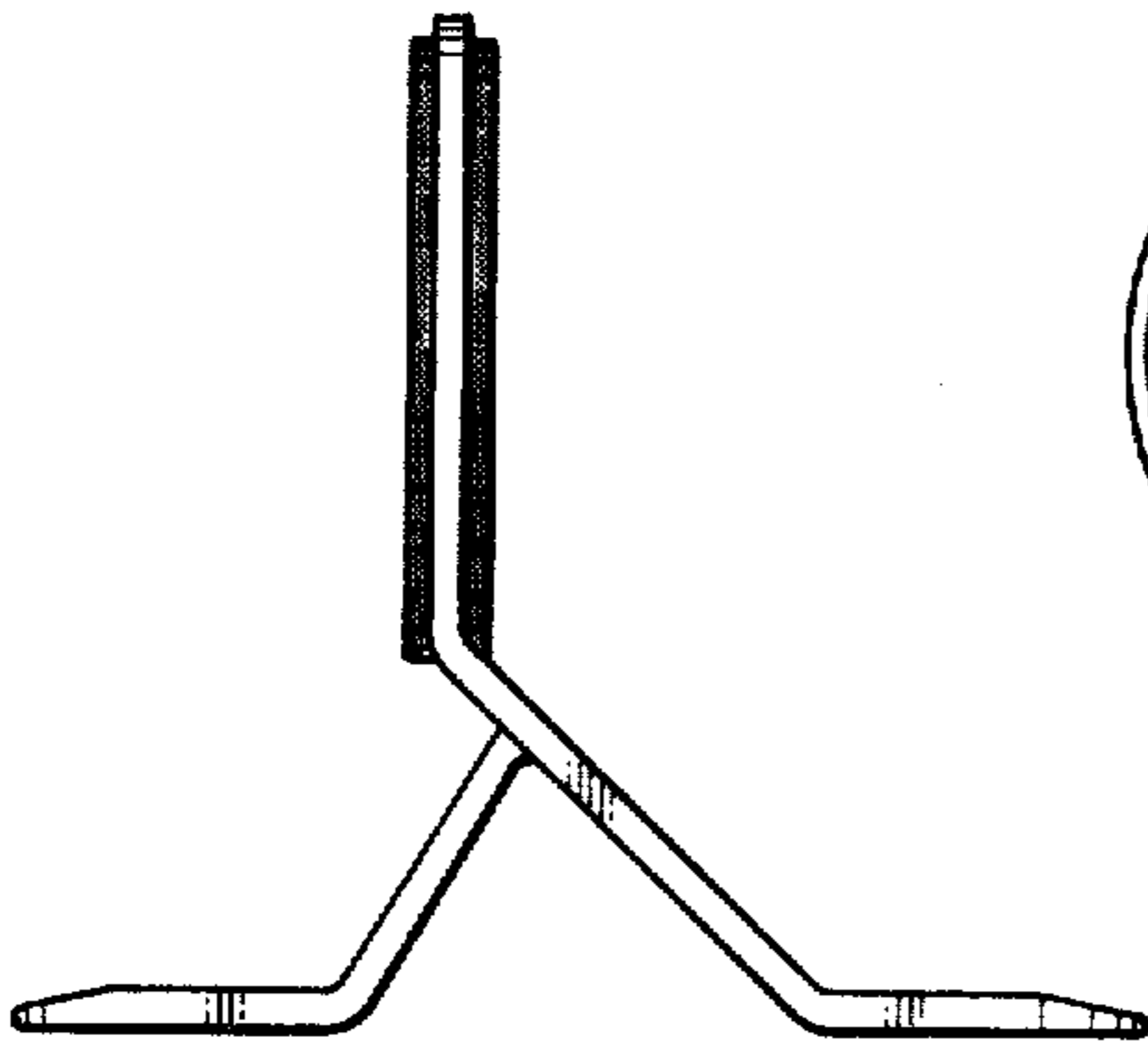


Fig. 2

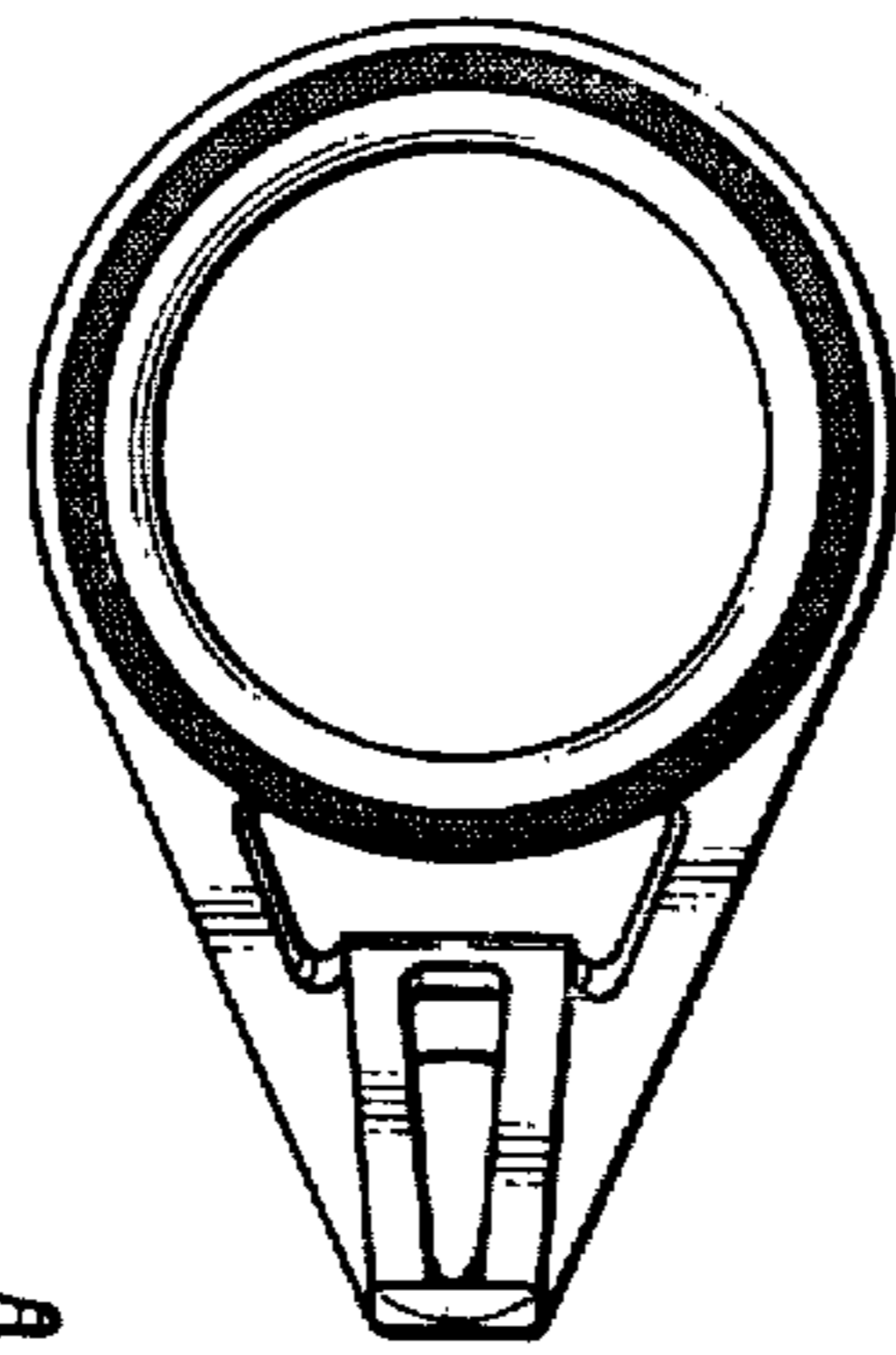


Fig. 3

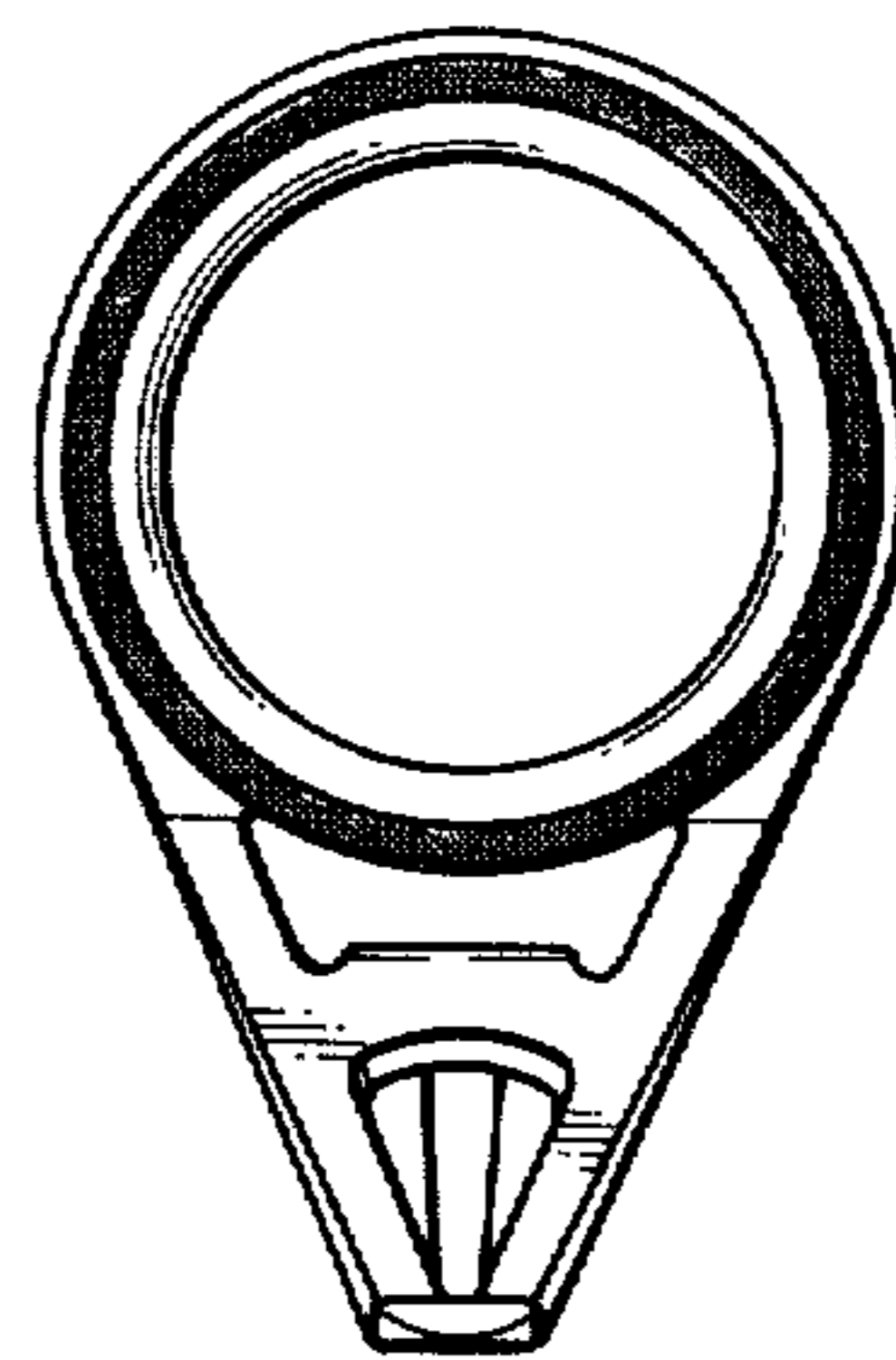


Fig. 4

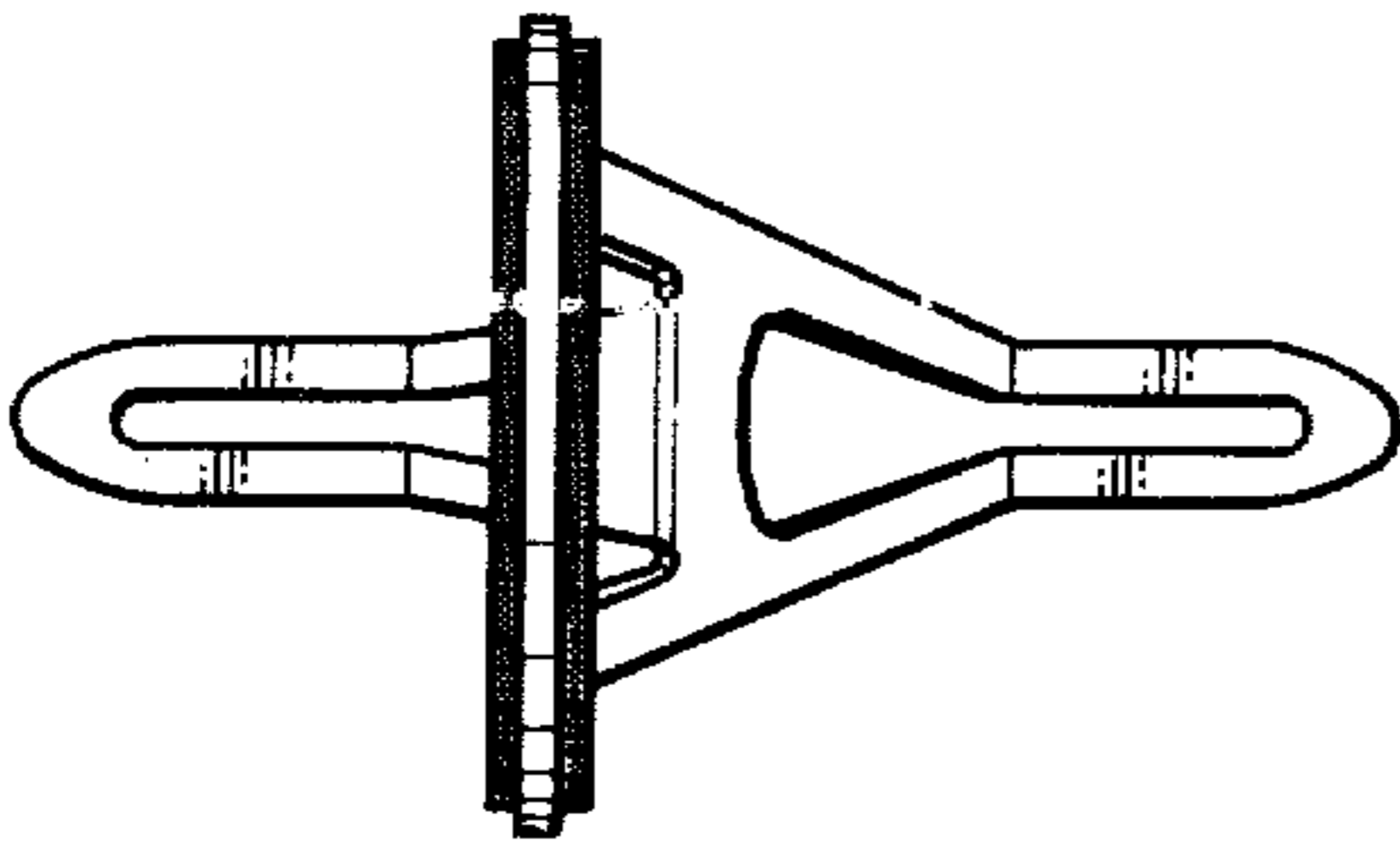


Fig. 6

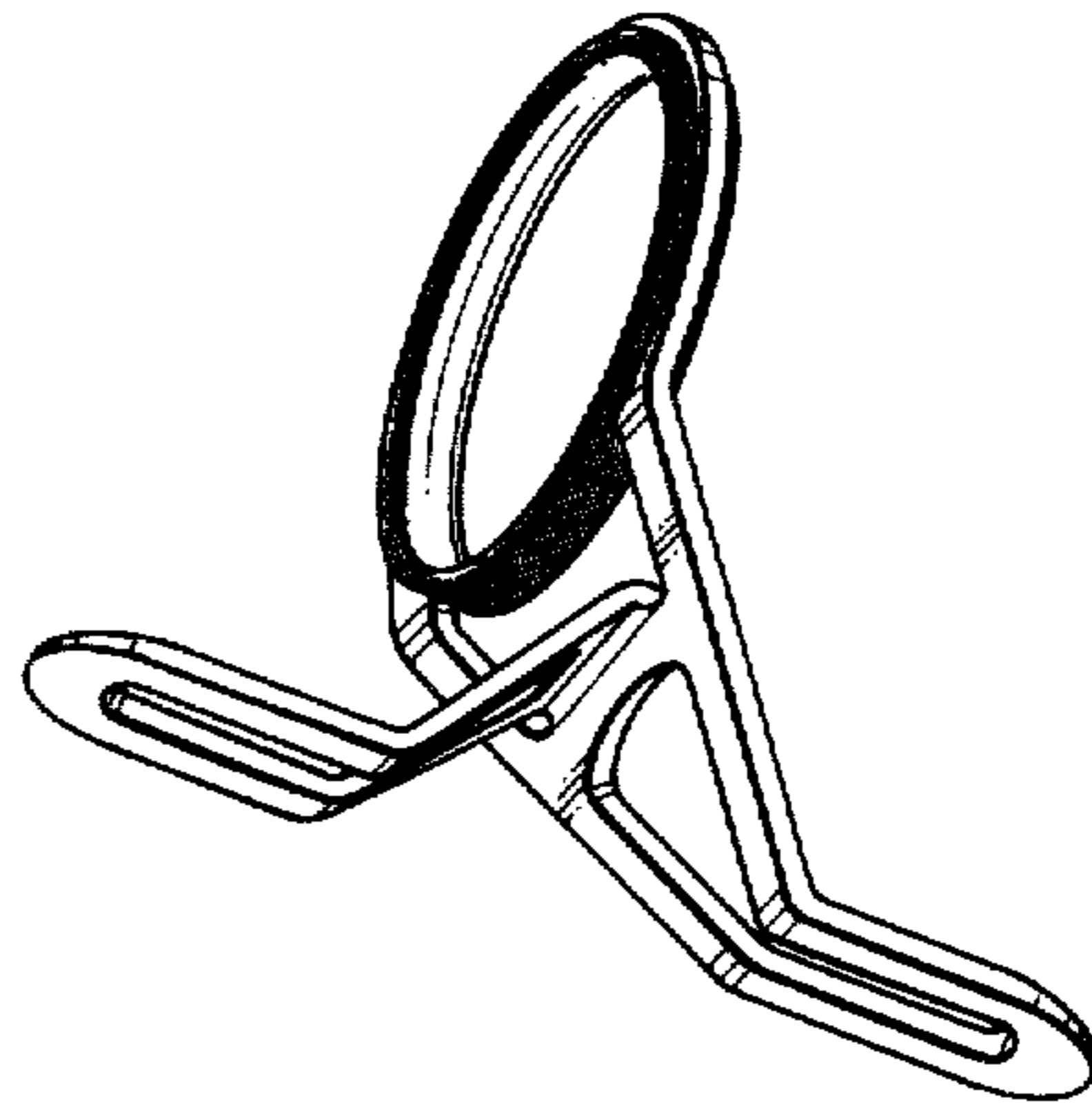


Fig. 5

