

[54] TENNIS BALL PROJECTOR FOR TRAINING PURPOSES

4,291,665 9/1981 Bash et al. 124/56

[75] Inventors: Tsugio Hirabayashi, Tokyo; Michio Nakai, Ebina, both of Japan

FOREIGN PATENT DOCUMENTS

2057893 4/1981 United Kingdom 124/56

[73] Assignee: Sony Corporation, Tokyo, Japan

OTHER PUBLICATIONS

The Sporting Goods Dealer, May, 1975, p. 146, top right, Tennis Machine.

[**] Term: 14 Years

Primary Examiner—Melvin B. Feifer
Attorney, Agent, or Firm—Lewis H. Eslinger

[21] Appl. No.: 216,183

[22] Filed: Dec. 15, 1980

[57] CLAIM

[30] Foreign Application Priority Data

Jun. 19, 1980 [JP] Japan 55-24586

The ornamental design for a tennis ball projector for training purposes, as shown.

[51] Int. Cl. D21-02

DESCRIPTION

[52] U.S. Cl. D21/210

[58] Field of Search D21/210; 273/29 A, 26 A; 124/56, 73

FIG. 1 is a top plan view of a tennis ball projector for training purposes embodying my new design;

FIG. 2 is a front view;

FIG. 3 is a bottom plan view;

FIG. 4 is a left side view;

FIG. 5 is a right side view;

FIG. 6 is a rear view;

FIG. 7 is a perspective view.

[56] References Cited

U.S. PATENT DOCUMENTS

D. 212,769 11/1968 Samuels D21/210

3,905,349 9/1975 Nielson et al. 124/56

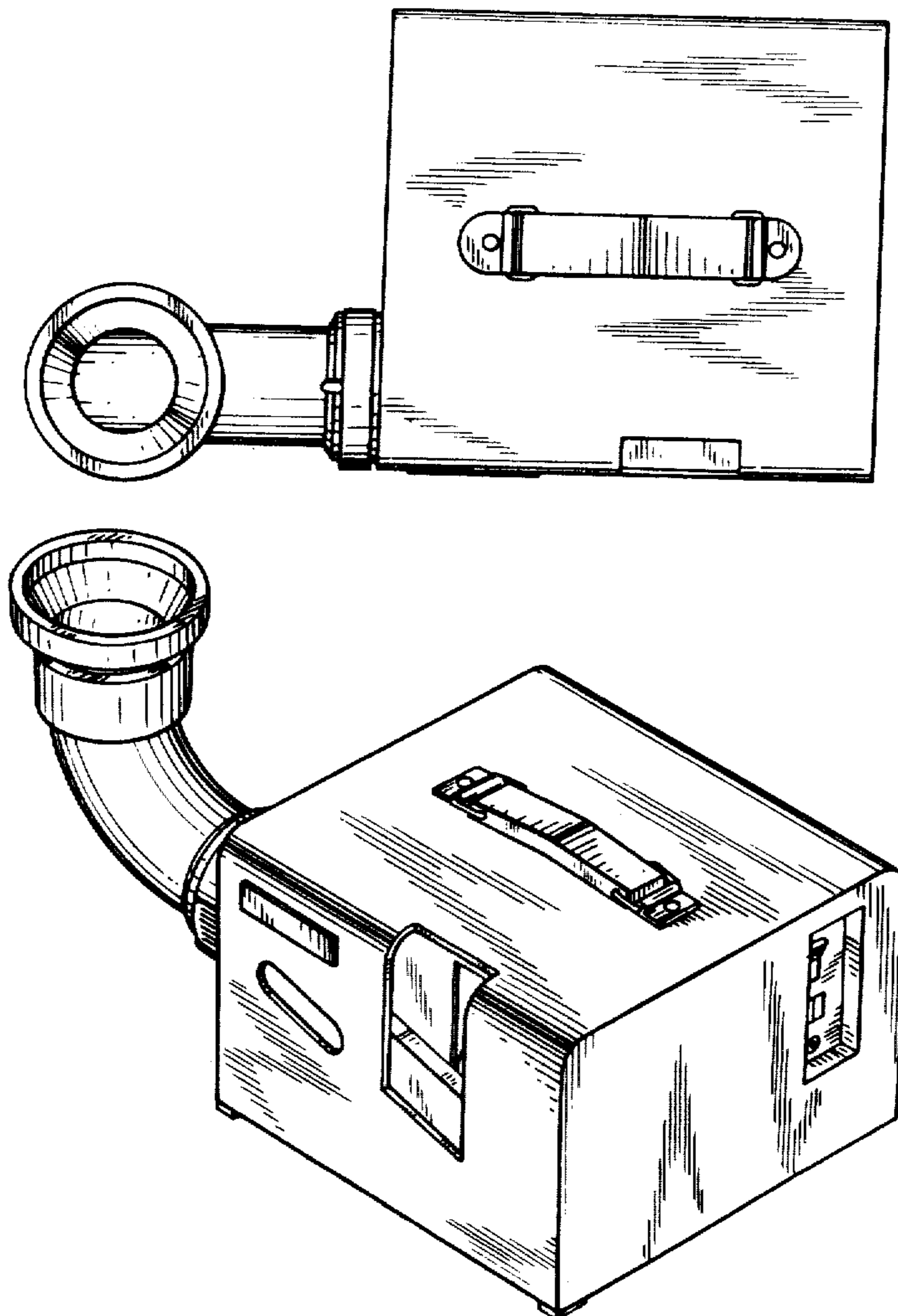


FIG. 1

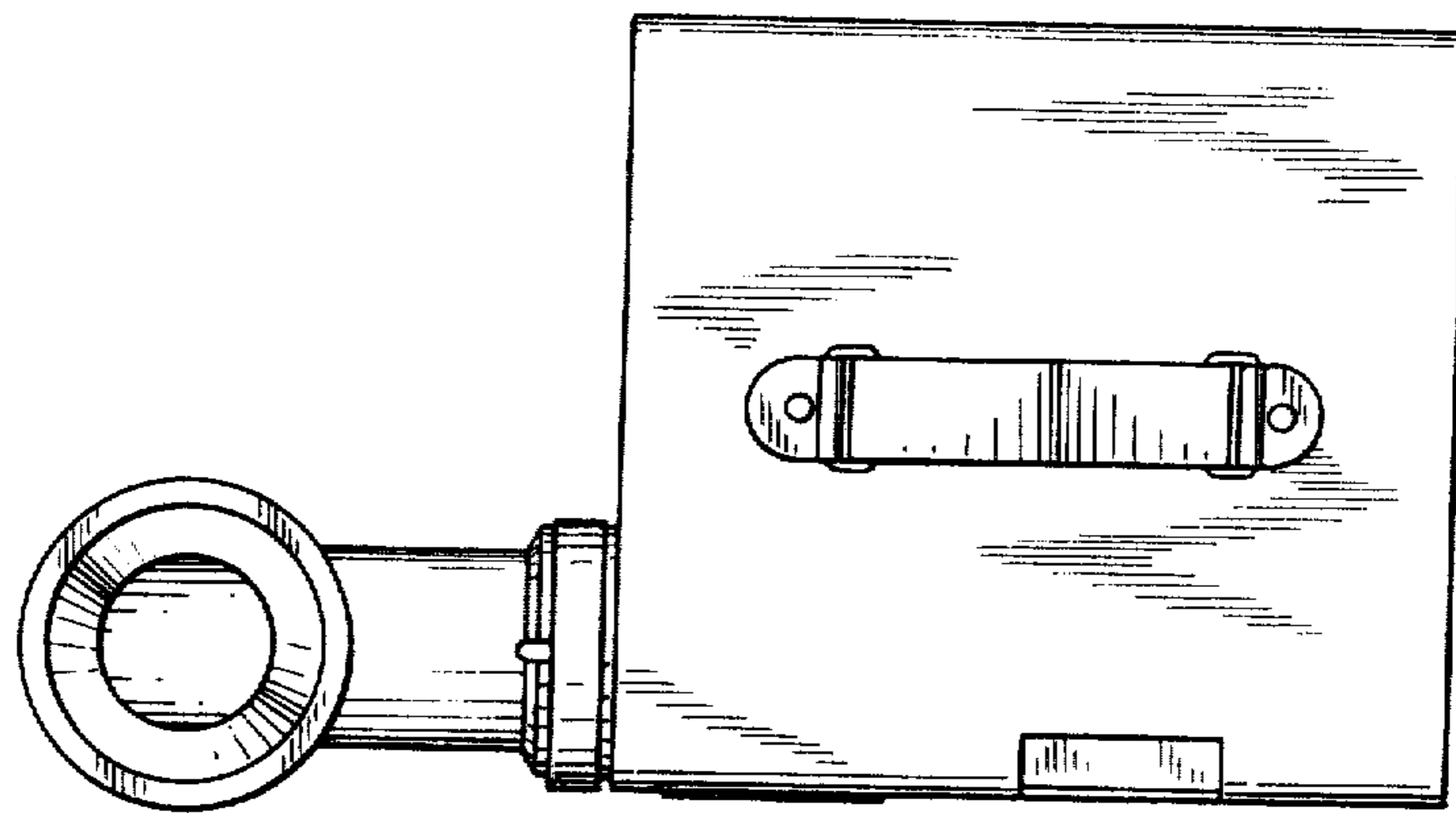


FIG. 2

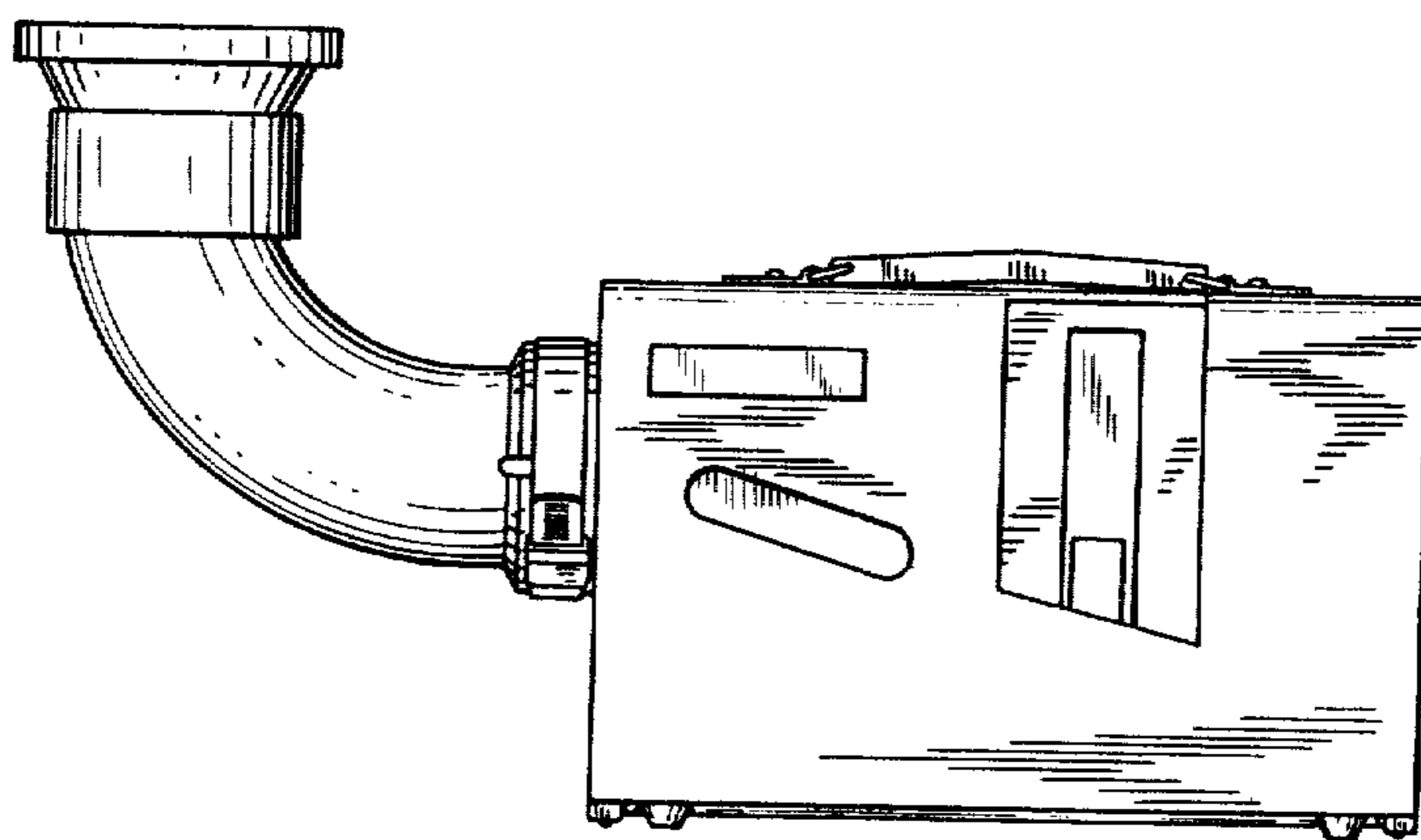


FIG. 3

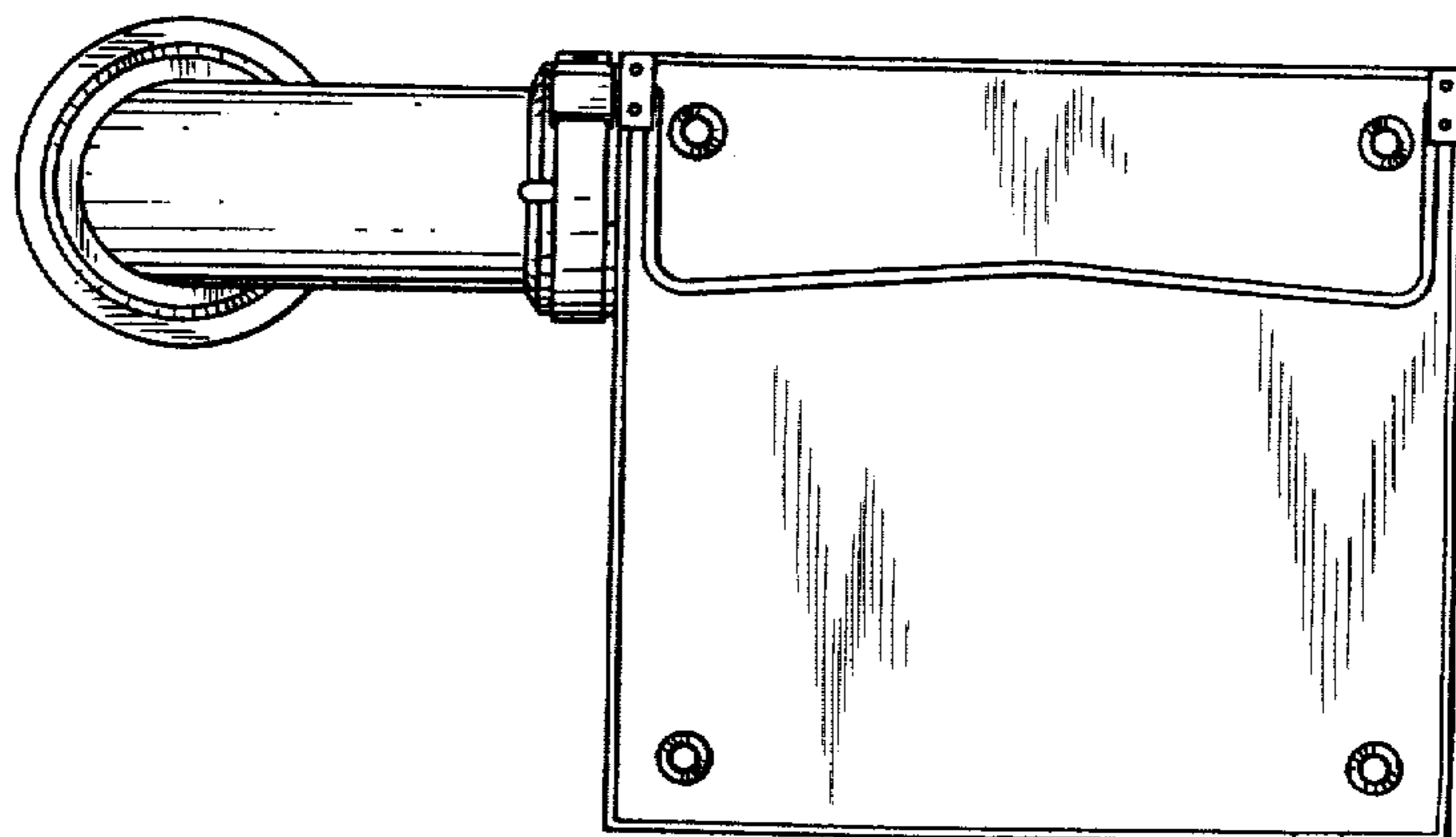


FIG. 4

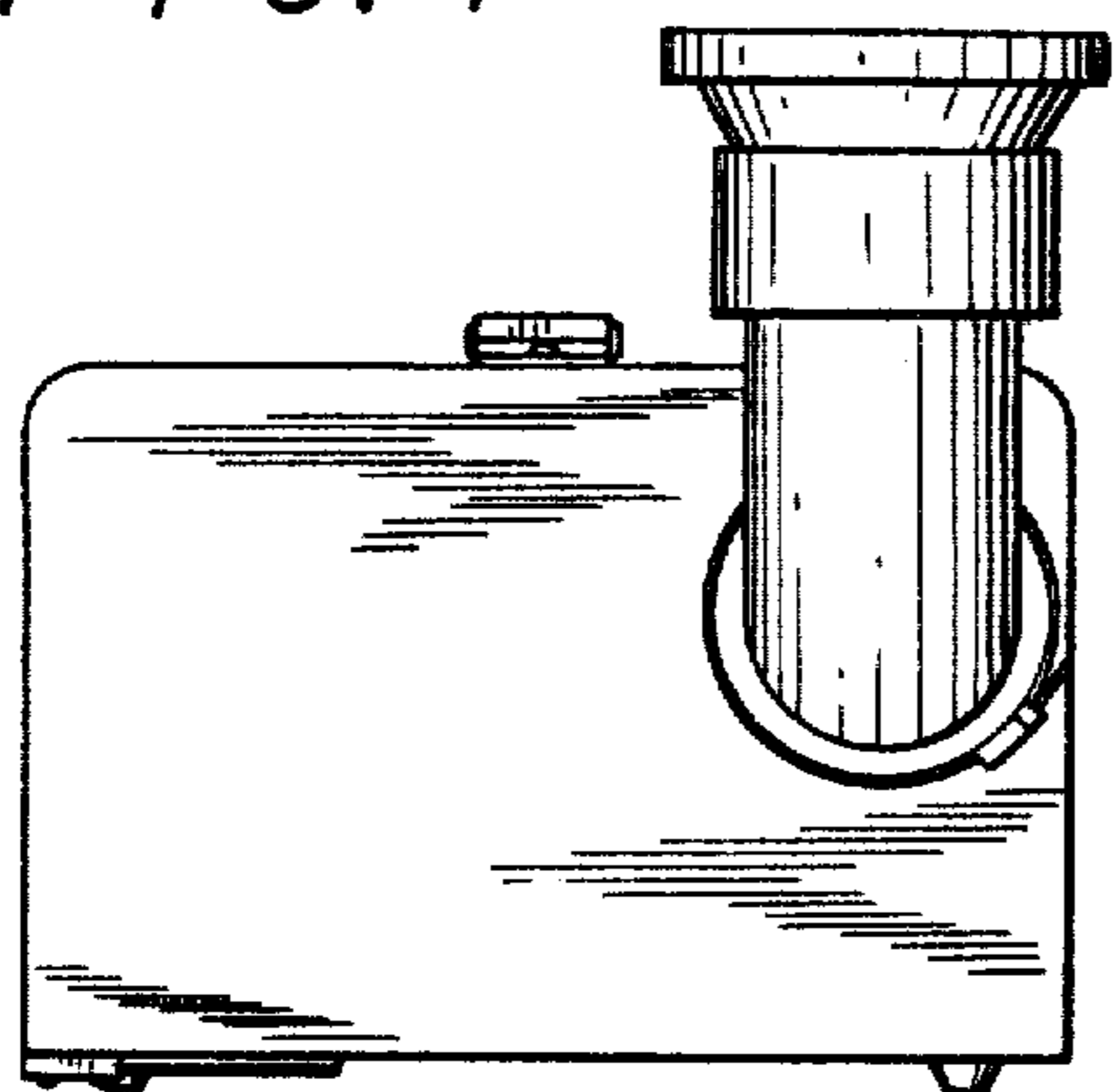


FIG. 5

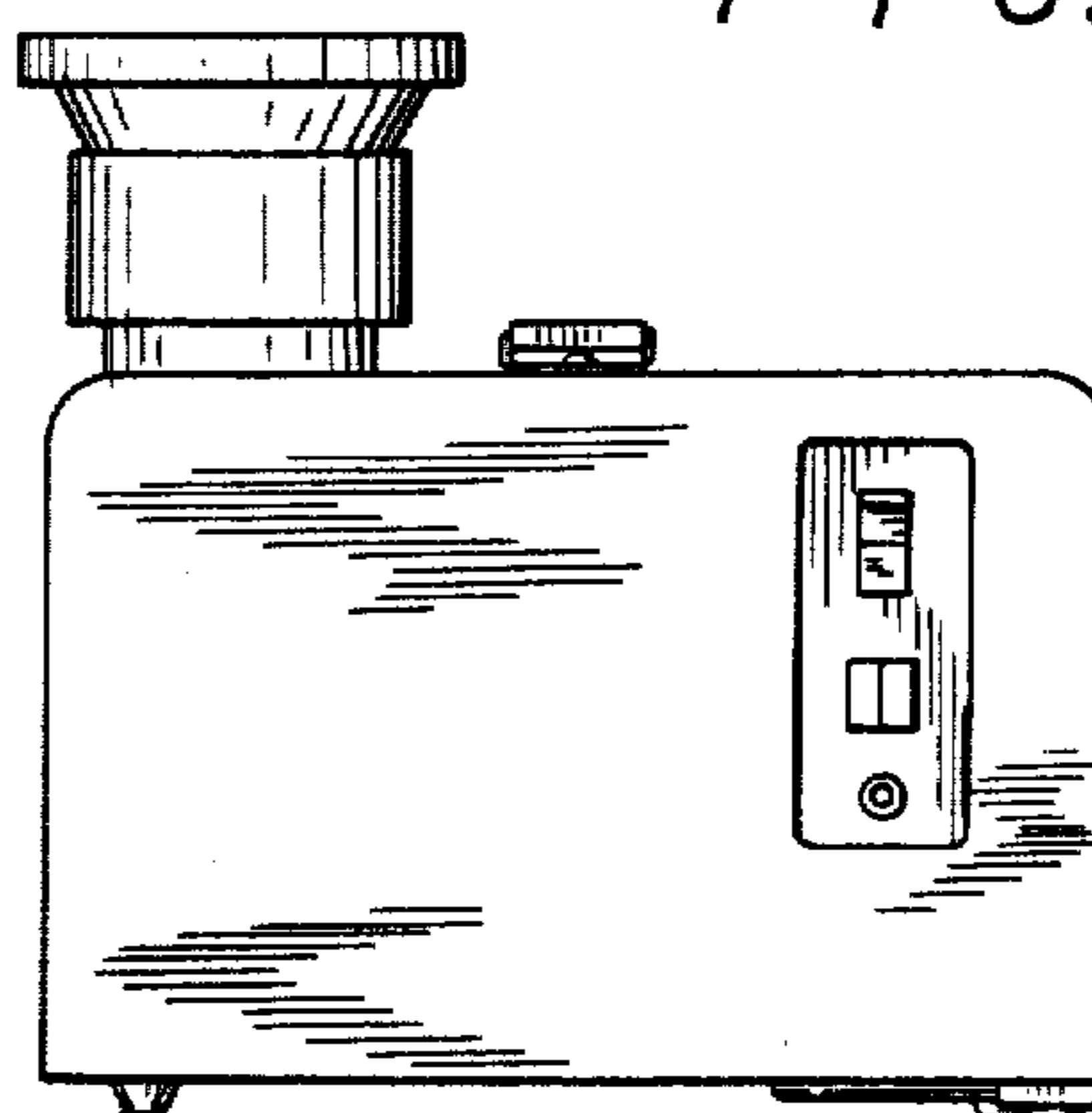


FIG. 6

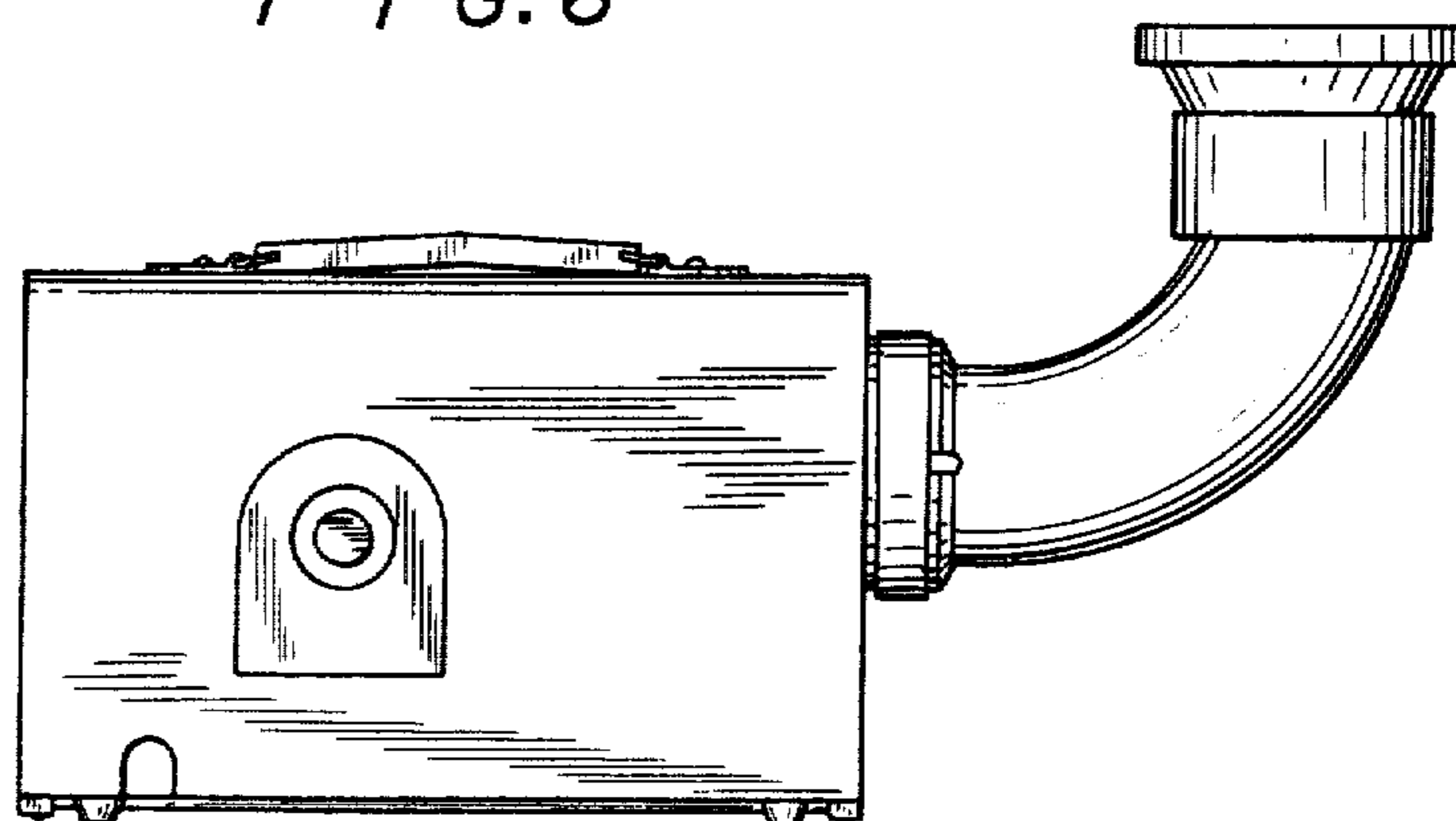


FIG. 7

