

[54] **ANIMAL FIGURE TOY**

[75] **Inventors:** **Shinroku Nakao, Yokohama;**
Yoshiyasu Ishii; Susumu Matsumoto,
both of Tokyo, all of Japan

[73] **Assignee:** **Combi Co., Ltd., Tokyo, Japan**

[**] **Term:** **14 Years**

[21] **Appl. No.:** **265,112**

[22] **Filed:** **May 18, 1981**

[30] **Foreign Application Priority Data**

Jan. 27, 1981 [JP] Japan 56-2643

[51] **Int. Cl.** **D21-01**

[52] **U.S. Cl.** **D21/162**

[58] **Field of Search** **D21/162; D11/158;**
D26/16, 17, 14; D27/11, 23, 50

[56] **References Cited**

U.S. PATENT DOCUMENTS

- D. 99,932 6/1936 Fisher D11/158
- D. 164,930 10/1951 Hollis D21/162
- D. 231,938 6/1974 Smith et al. D21/162

Primary Examiner—Melvin B. Feifer
Attorney, Agent, or Firm—Sughrue, Mion, Zinn,
Macpeak & Seas

[57] **CLAIM**

The ornamental design for an animal figure toy, as shown.

DESCRIPTION

FIG. 1 is a front elevational view of an animal figure toy showing our new design;
 FIG. 2 is a top plan view thereof;
 FIG. 3 is a rear elevational view thereof;
 FIG. 4 is a bottom plan view thereof;
 FIG. 5 is a left side elevational view thereof; and
 FIG. 6 is a top, front and right side perspective view thereof.

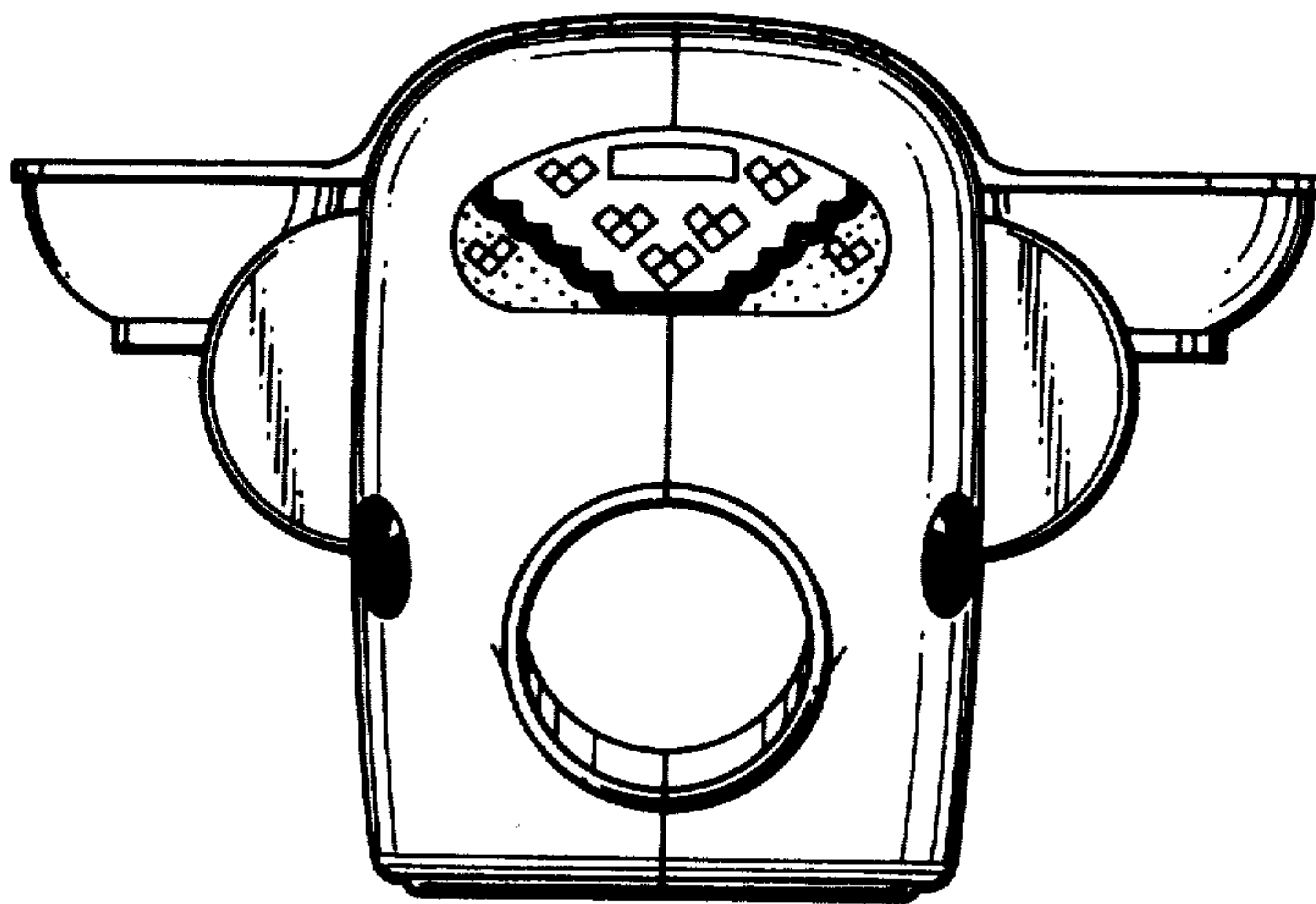


Fig. 1

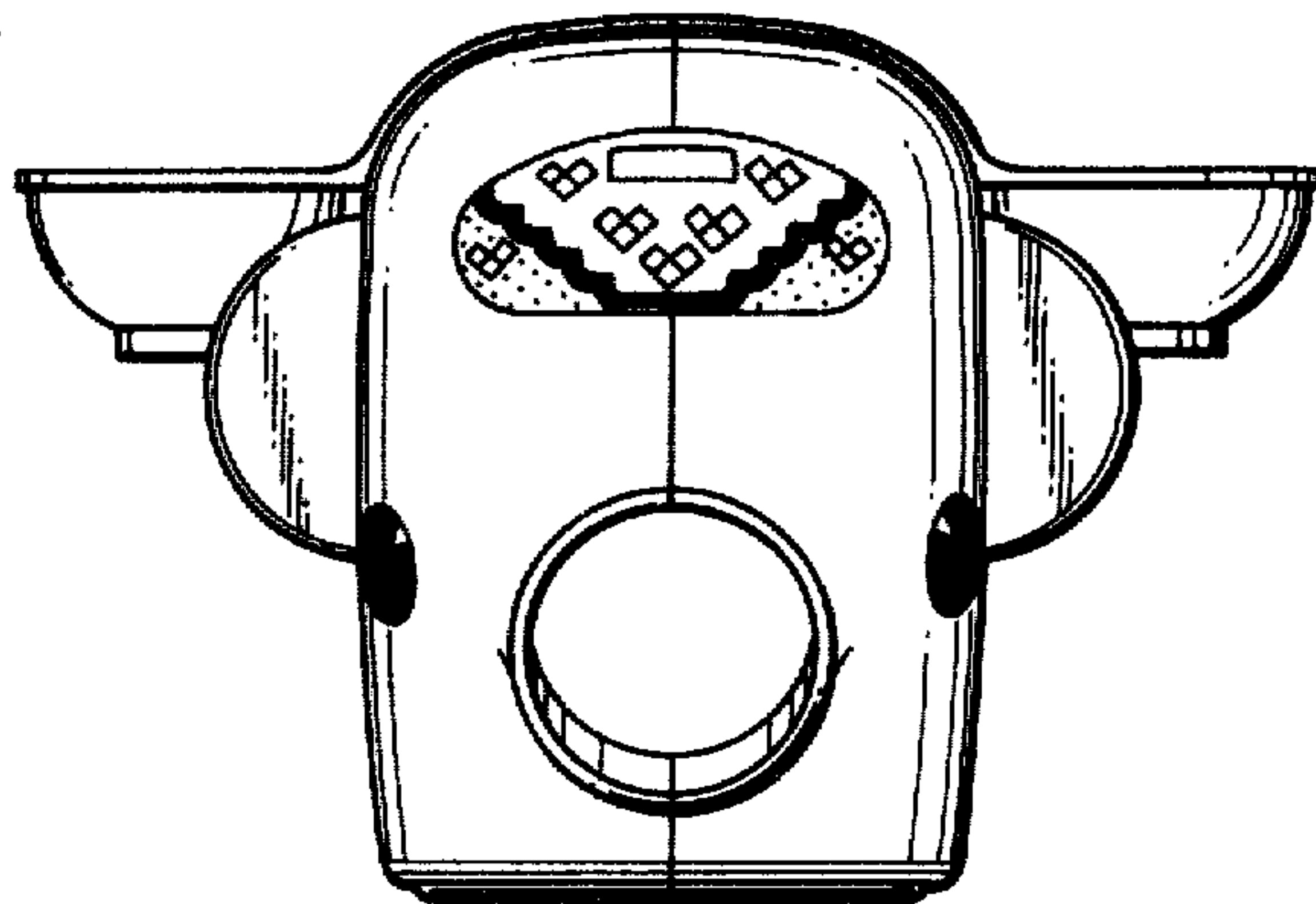


Fig. 2

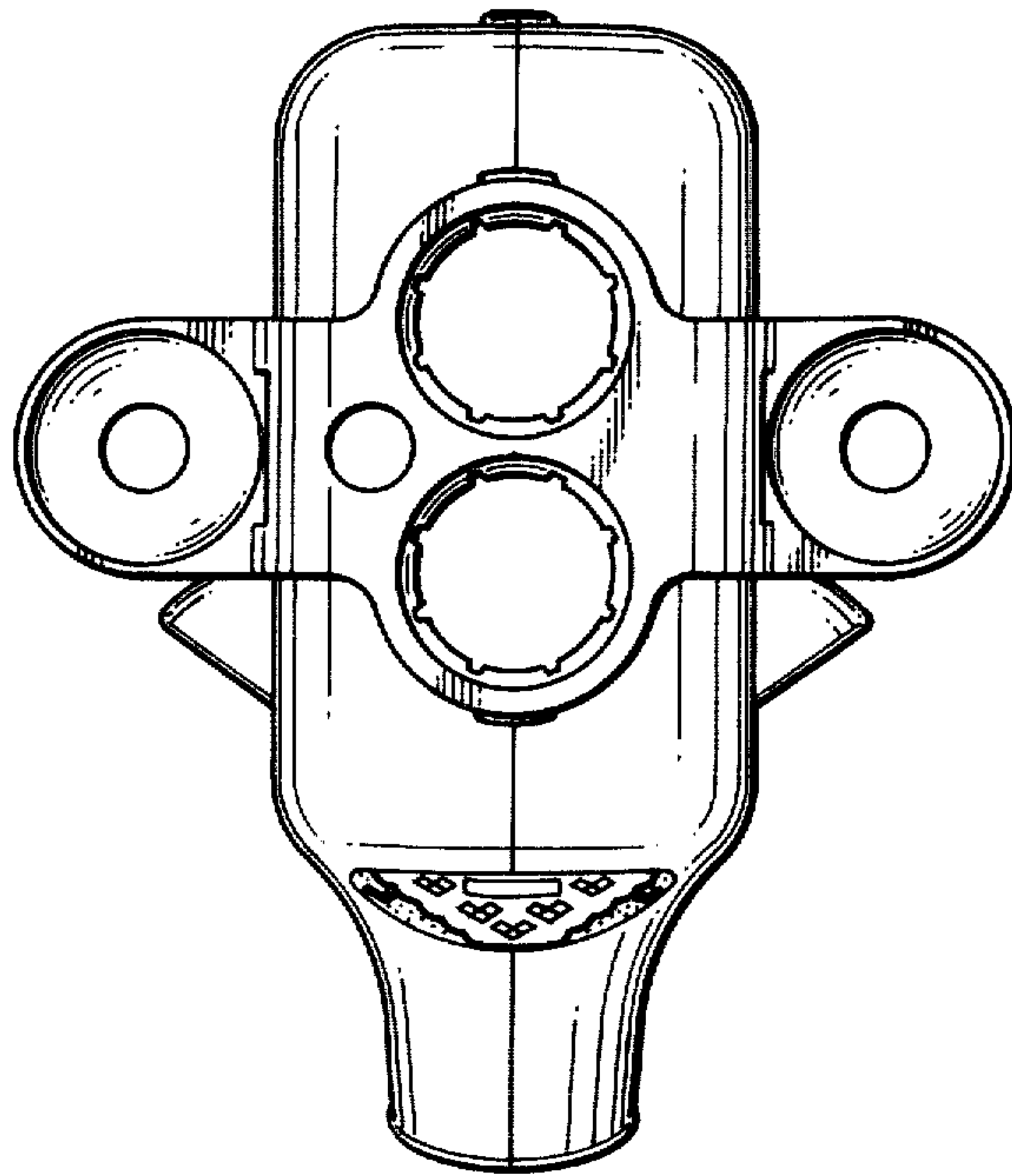


Fig. 3

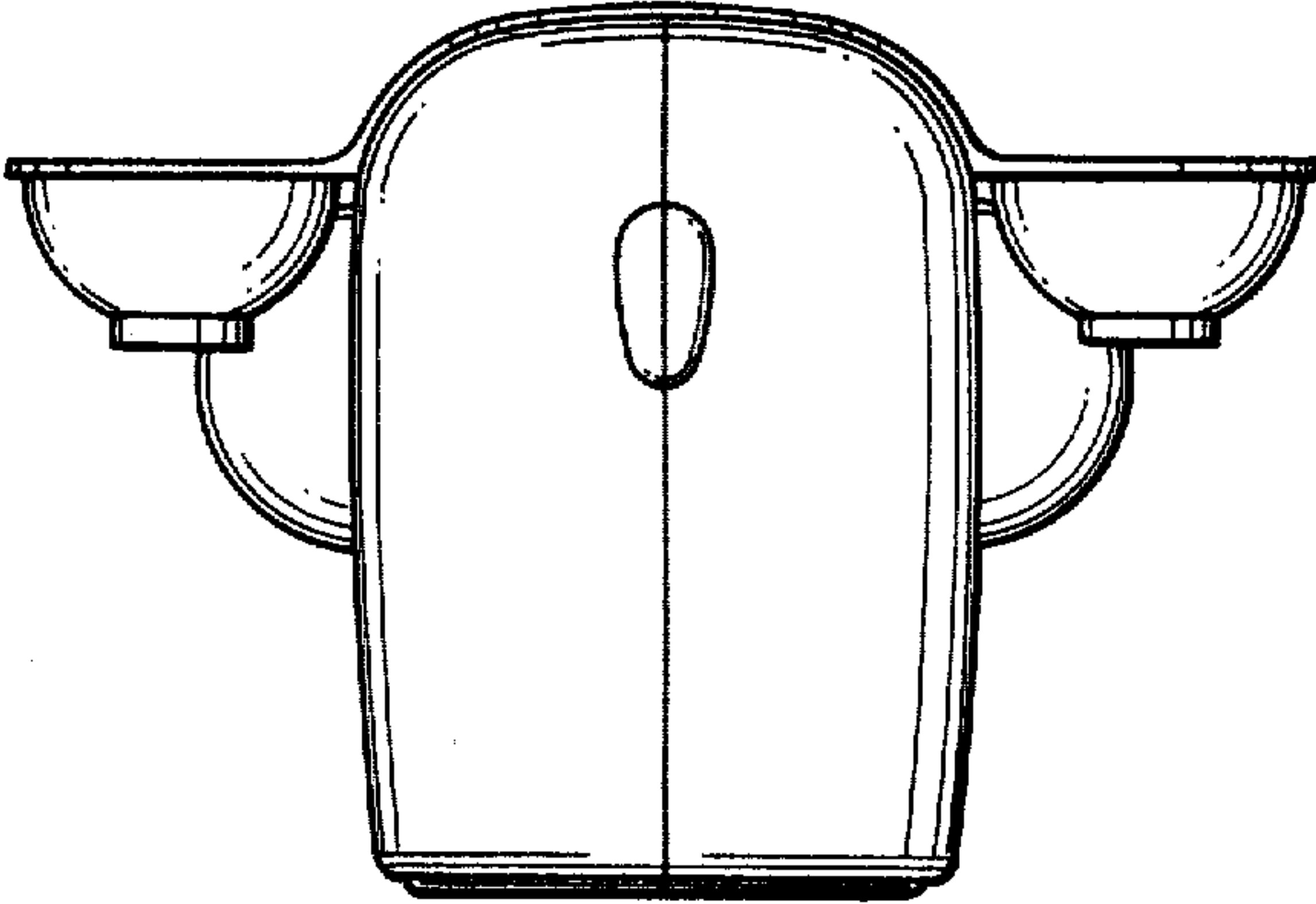


Fig. 4

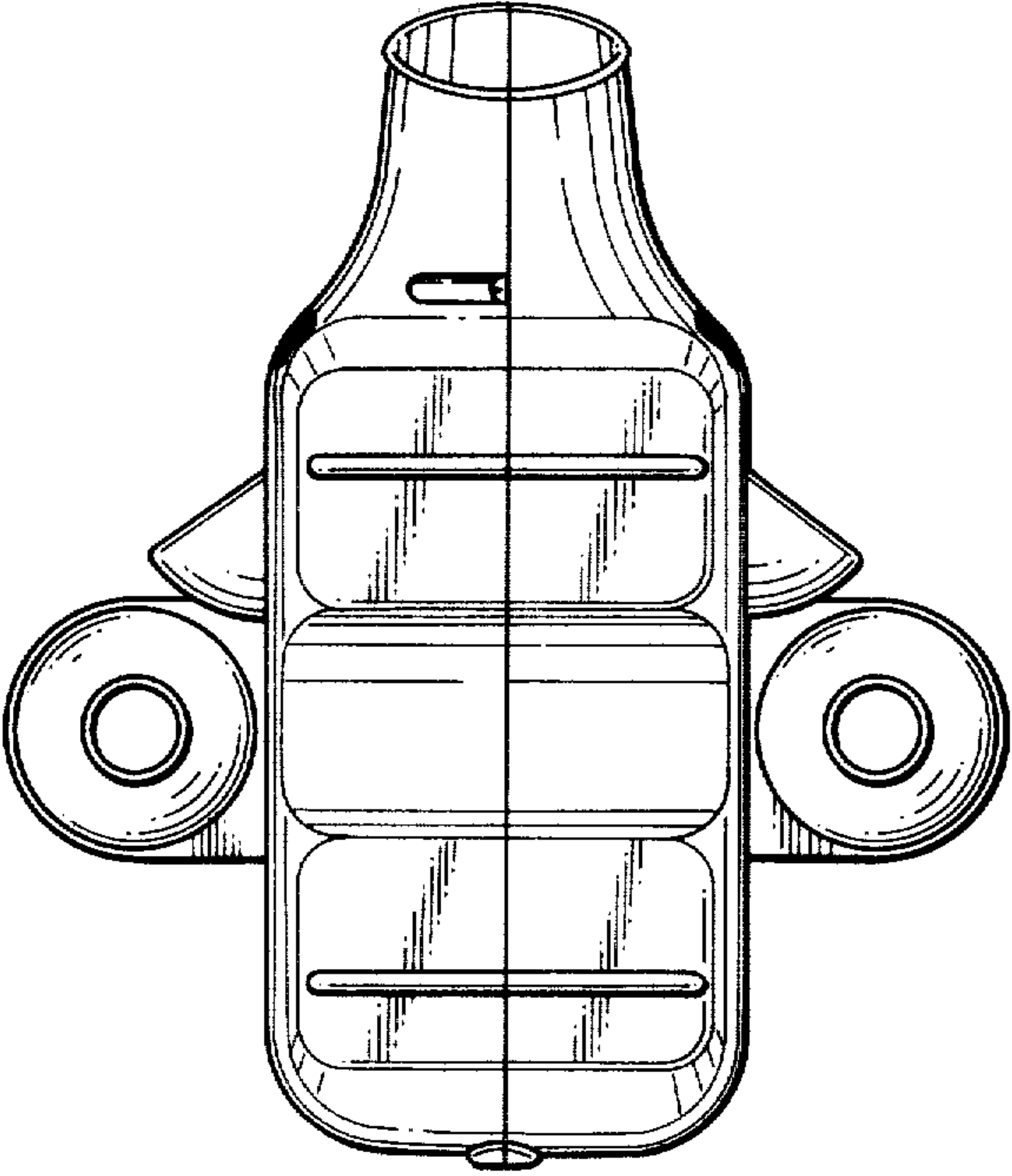


Fig. 5

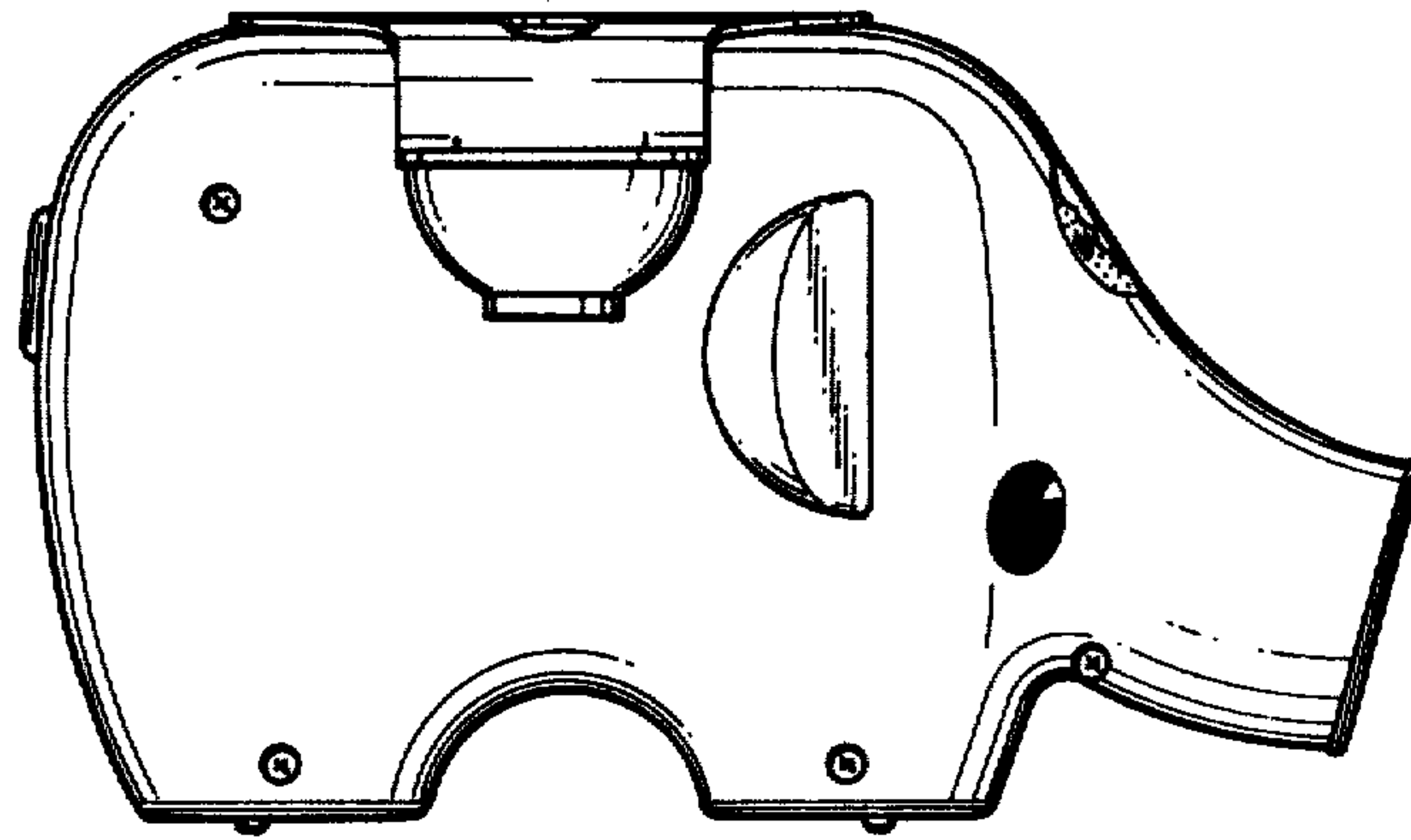


Fig. 6

