

[54] **MARTIAL ARTS MANNEQUIN**

[76] Inventor: **Floyd J. Leverton**, 39056 Dianron Rd., Palmdale, Calif. 93550

[**] Term: **14 Years**

[21] Appl. No.: **233,871**

[22] Filed: **Feb. 12, 1981**

[51] Int. Cl. **D19-07**

[52] U.S. Cl. **D19/59; D21/166**

[58] Field of Search **D21/166, 154, 150; D19/59; 272/76; 46/161, 162; 434/11, 256, 82**

2,603,034 7/1952 Whitlock D21/150

2,909,370 10/1959 Fortney 46/162

3,804,406 4/1974 Viscione 272/76

4,088,315 5/1978 Schemmel 272/76

Primary Examiner—Melvin B. Feifer
Attorney, Agent, or Firm—Cislo, O'Reilly & Thomas

[57] **CLAIM**

The ornamental design for a martial arts mannequin, as shown and described.

DESCRIPTION

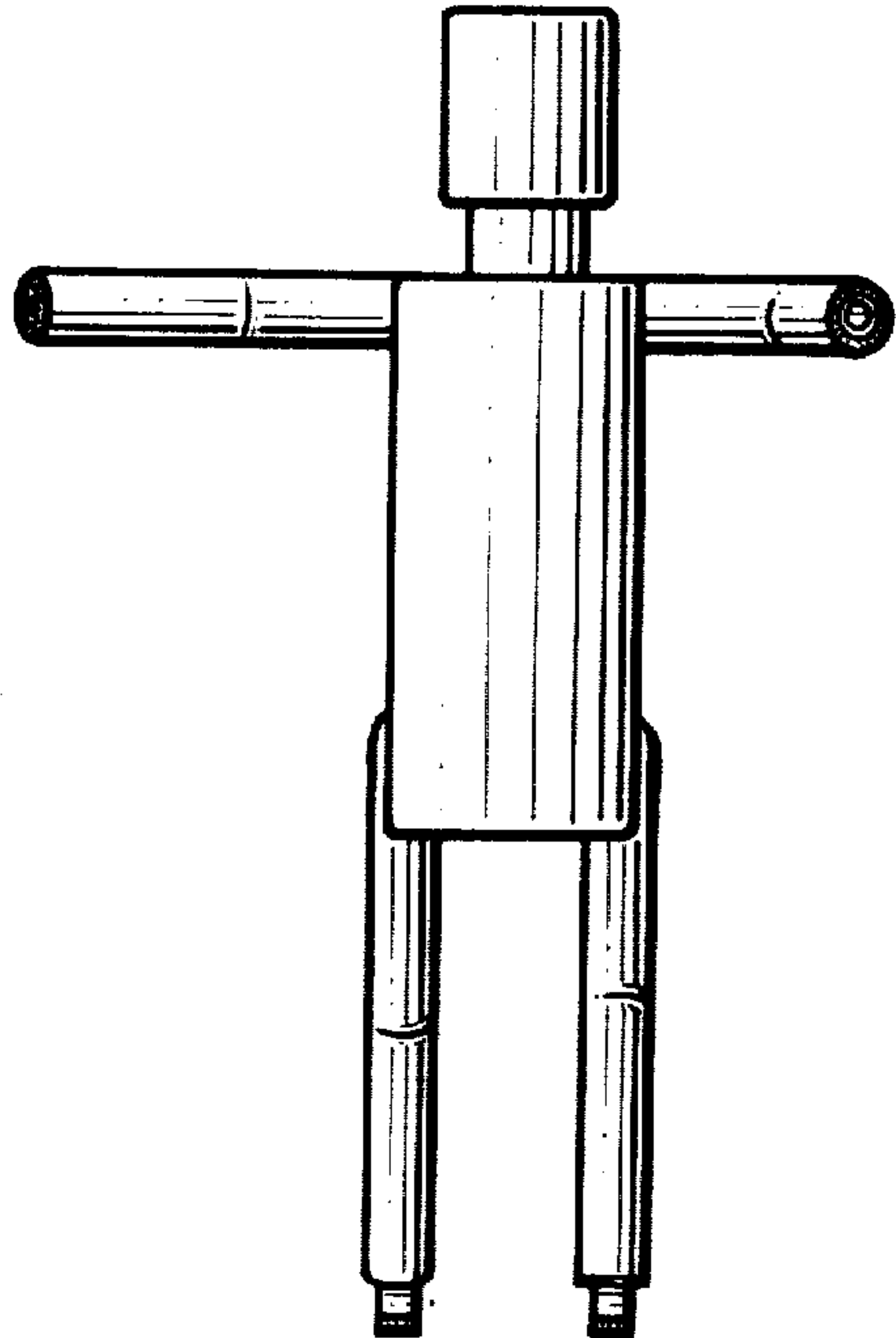
FIG. 1 is a front elevational view of my martial arts mannequin showing my new design;
 FIG. 2 is a right side elevational view thereof;
 FIG. 3 is a left side elevational view thereof;
 FIG. 4 is a rear elevational view thereof;
 FIG. 5 is a top plan view thereof; and
 FIG. 6 is a bottom plan view.

[56] **References Cited**

U.S. PATENT DOCUMENTS

D. 59,051 9/1921 Wilcox D21/154

D. 67,620 6/1925 Scoll D21/154



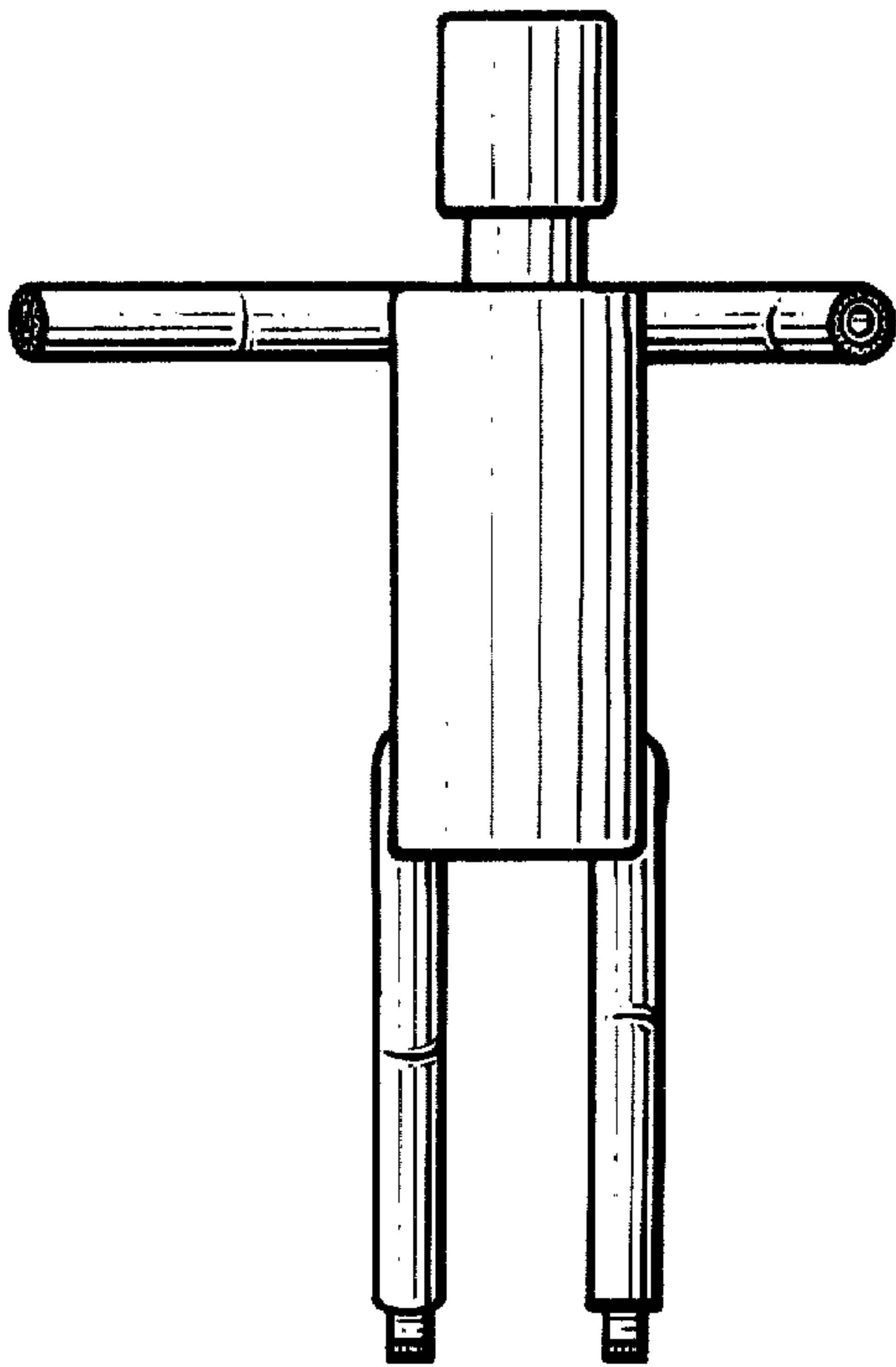


Fig. 1.

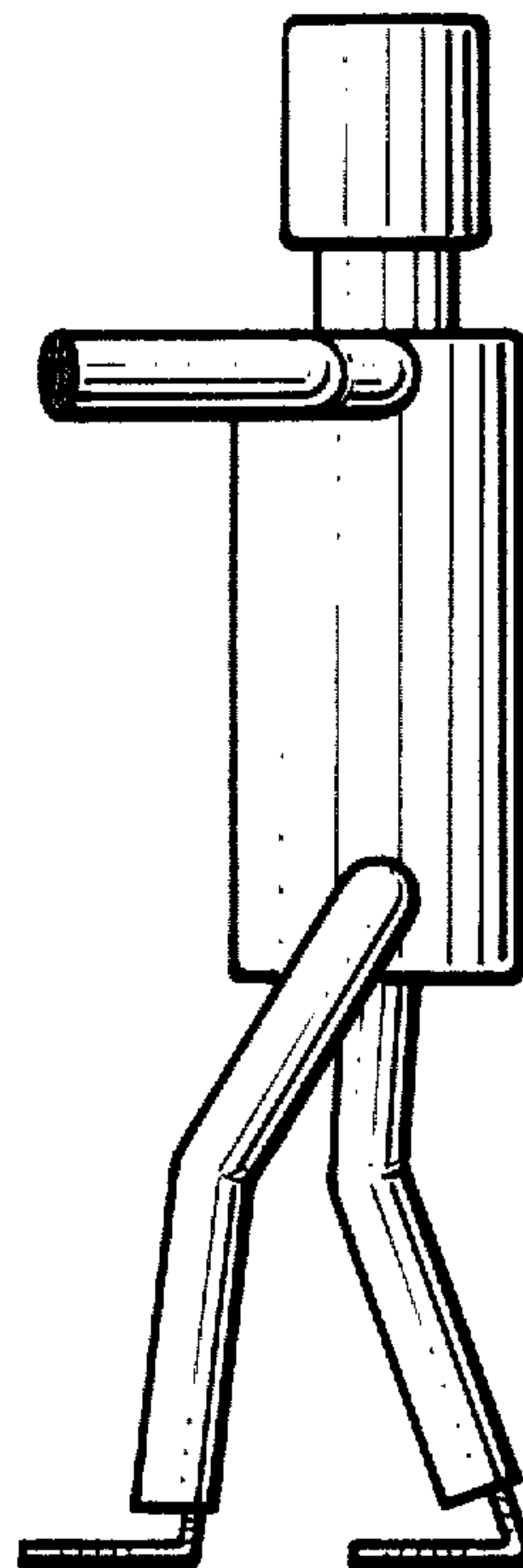


Fig. 2.

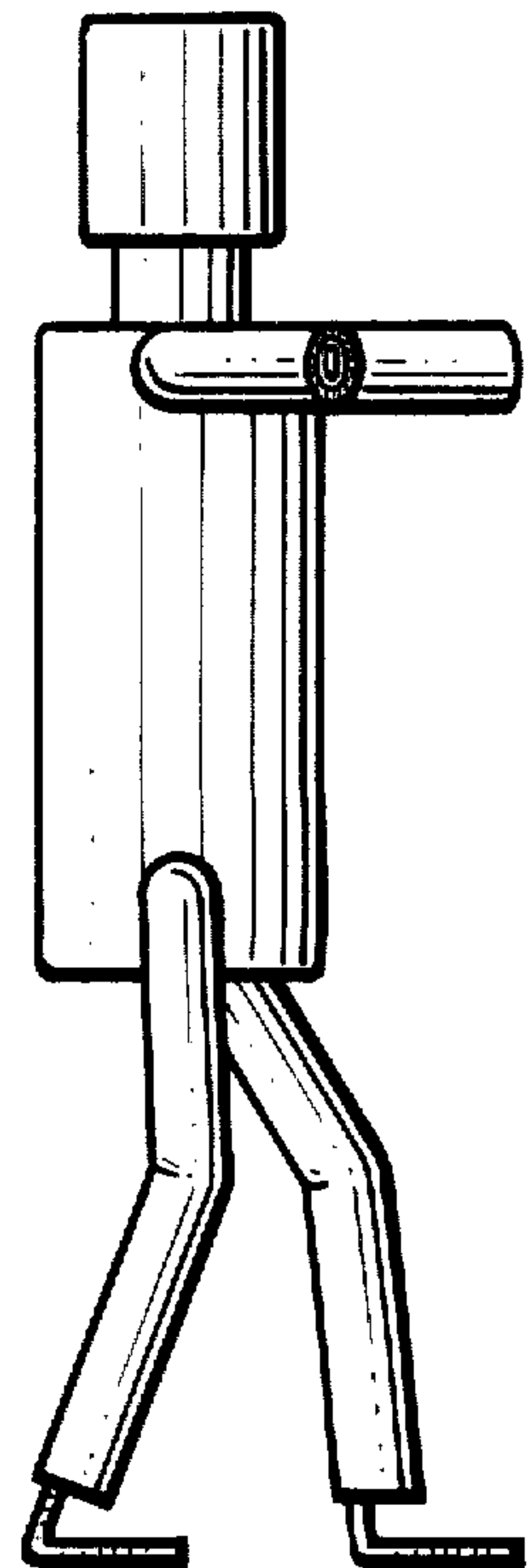


Fig. 3.

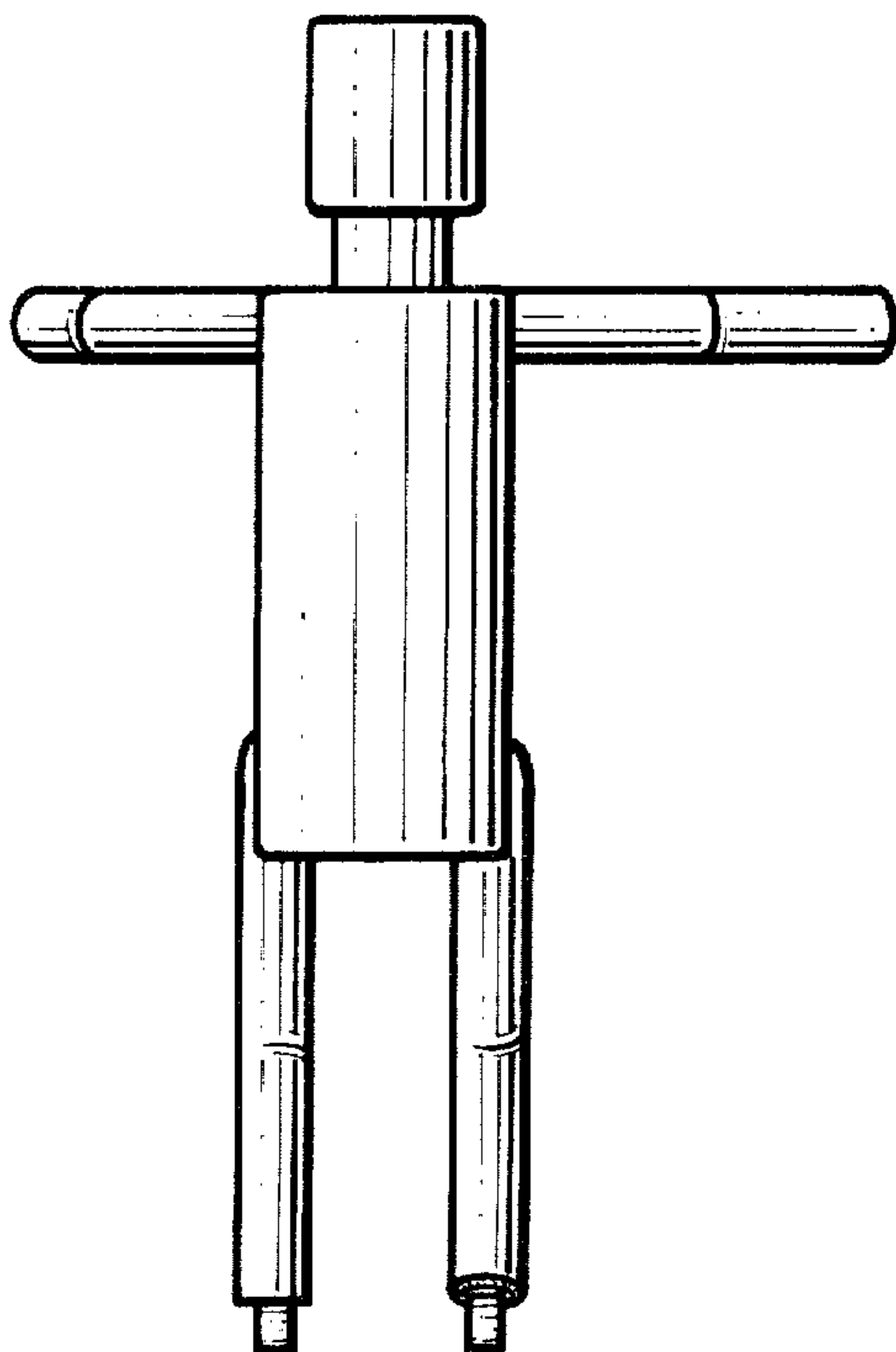


Fig. 4.

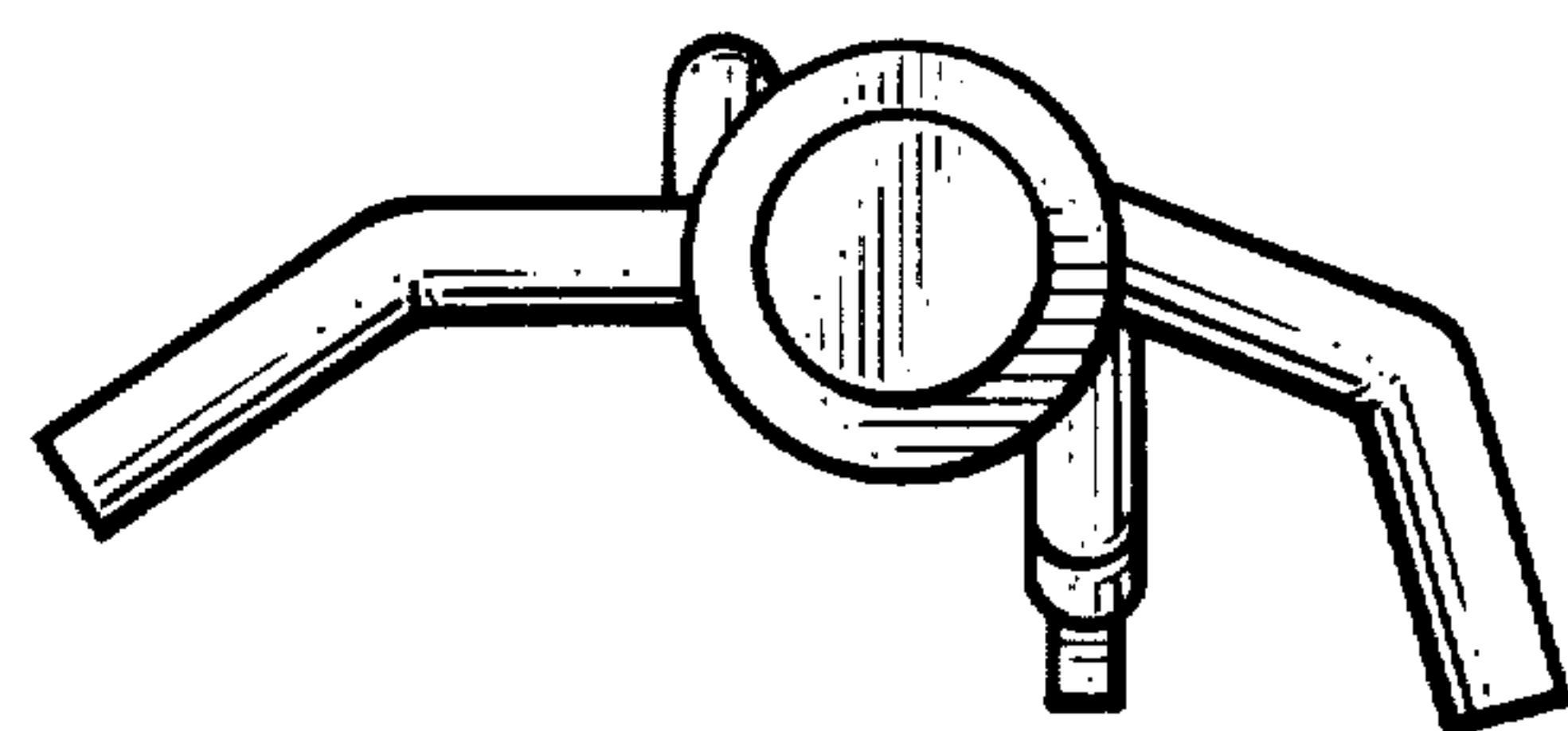


Fig. 5.

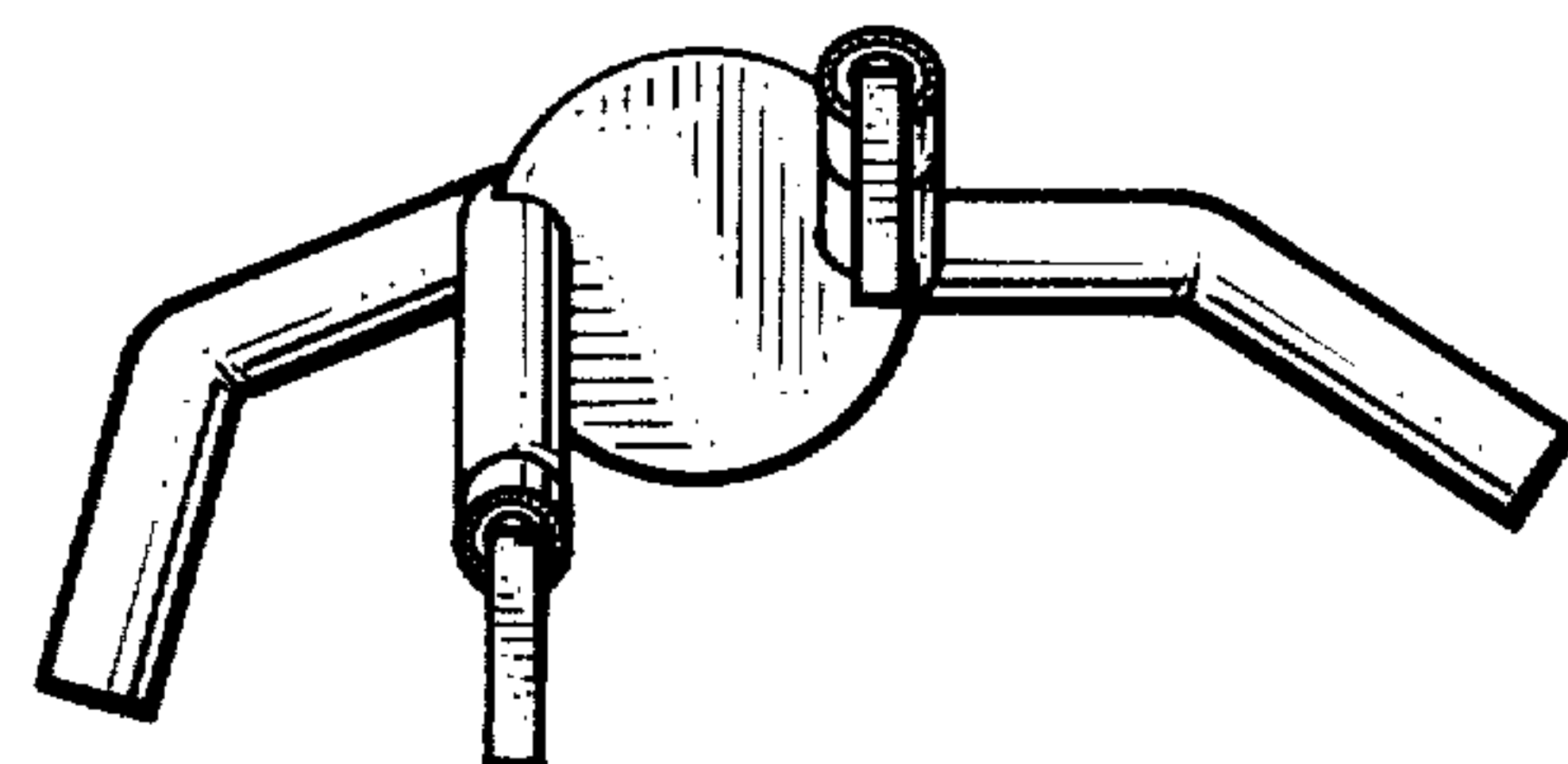


Fig. 6.