

[54] CAMERA TRIPOD

[75] Inventor: Osamu Iwasaki, Tokorozawa, Japan

[73] Assignee: Slik Tripod Co., Ltd., Saitama, Japan

[**] Term: 14 Years

[21] Appl. No.: 239,495

[22] Filed: Mar. 2, 1981

[30] Foreign Application Priority Data

Aug. 29, 1980 [JP] Japan 55-35265

[51] Int. Cl. D16-05

[52] U.S. Cl. D16/45

[58] Field of Search D16/45, 46; 248/168, 248/169, 170, 171, 188.8; 354/293

[56] References Cited

U.S. PATENT DOCUMENTS

- D. 257,260 10/1980 Shiraishi D16/45
- D. 258,661 3/1981 Shiraishi D16/45
- D. 262,635 1/1982 Iwasaki D16/46
- D. 263,147 2/1982 Iwasaki D16/45

- D. 264,728 6/1982 Iwasaki D16/45
- D. 265,481 7/1982 Iwasaki D16/46
- 2,374,021 4/1945 Korling 248/170 X

FOREIGN PATENT DOCUMENTS

- 48105 5/1981 Fed. Rep. of Germany 248/169
- 52-467410 8/1977 Japan .

Primary Examiner—Nelson C. Holtje
Attorney, Agent, or Firm—Frishauf, Holtz, Goodman and Woodward

[57] CLAIM

The ornamental design for camera tripod, substantially as shown and described.

DESCRIPTION

FIG. 1 is a perspective view of a camera tripod showing my new design;
FIG. 2 is a front elevational view thereof;
FIG. 3 is a rear elevational view thereof;
FIG. 4 is a right side elevational view thereof;
FIG. 5 is a left side elevational view thereof;
FIG. 6 is a top plan view thereof; and
FIG. 7 is a bottom plan view thereof.

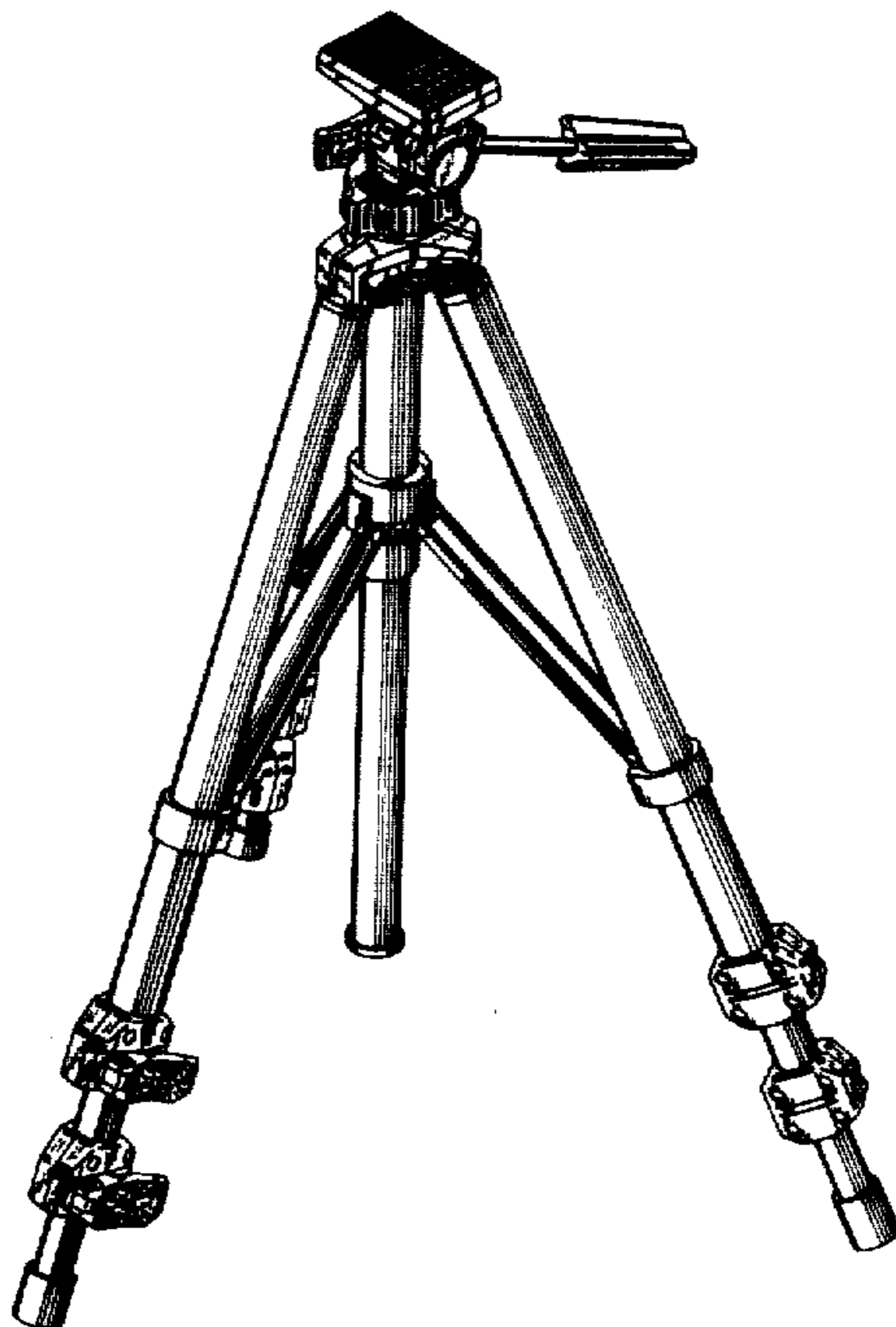


FIG. 1

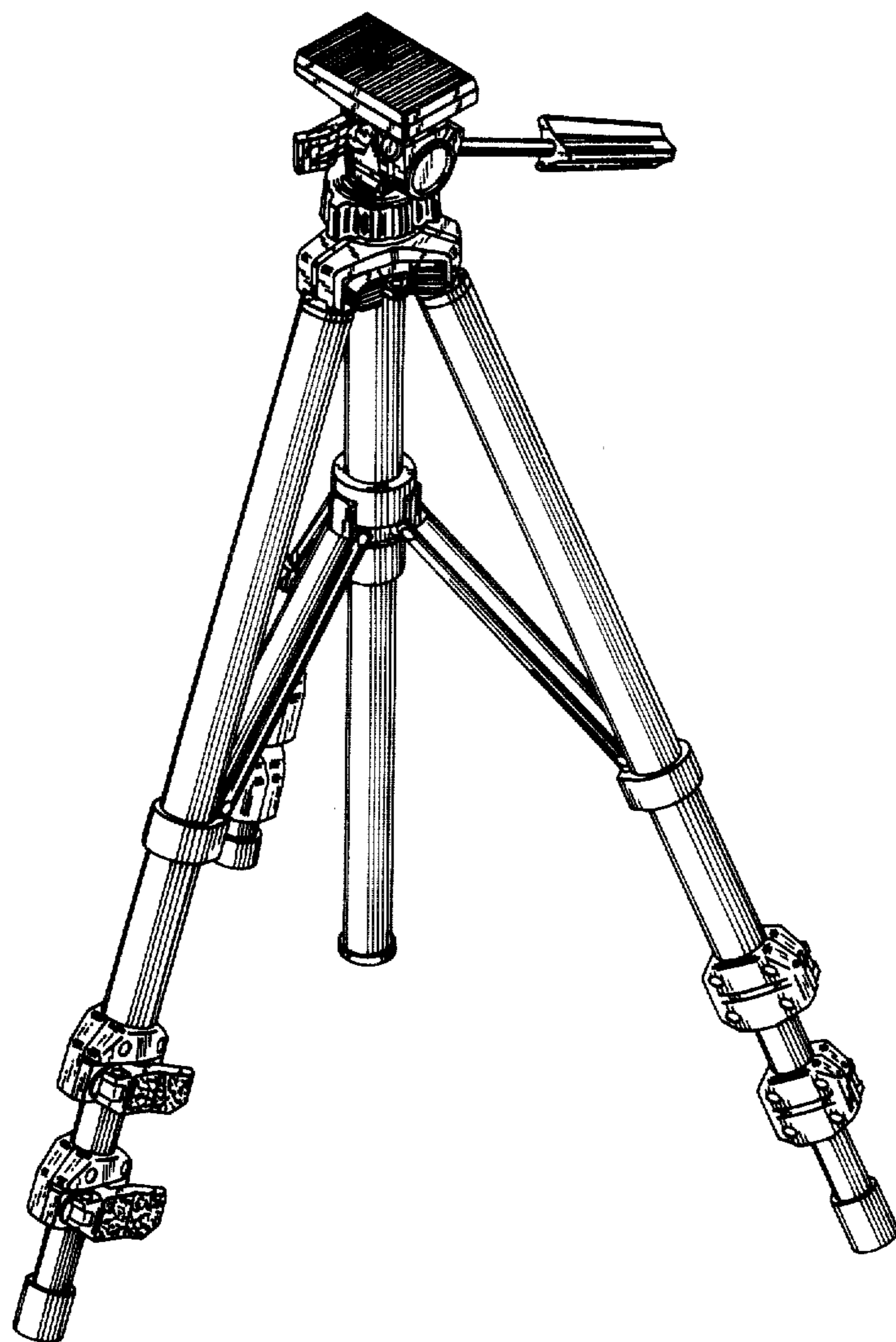


FIG. 2

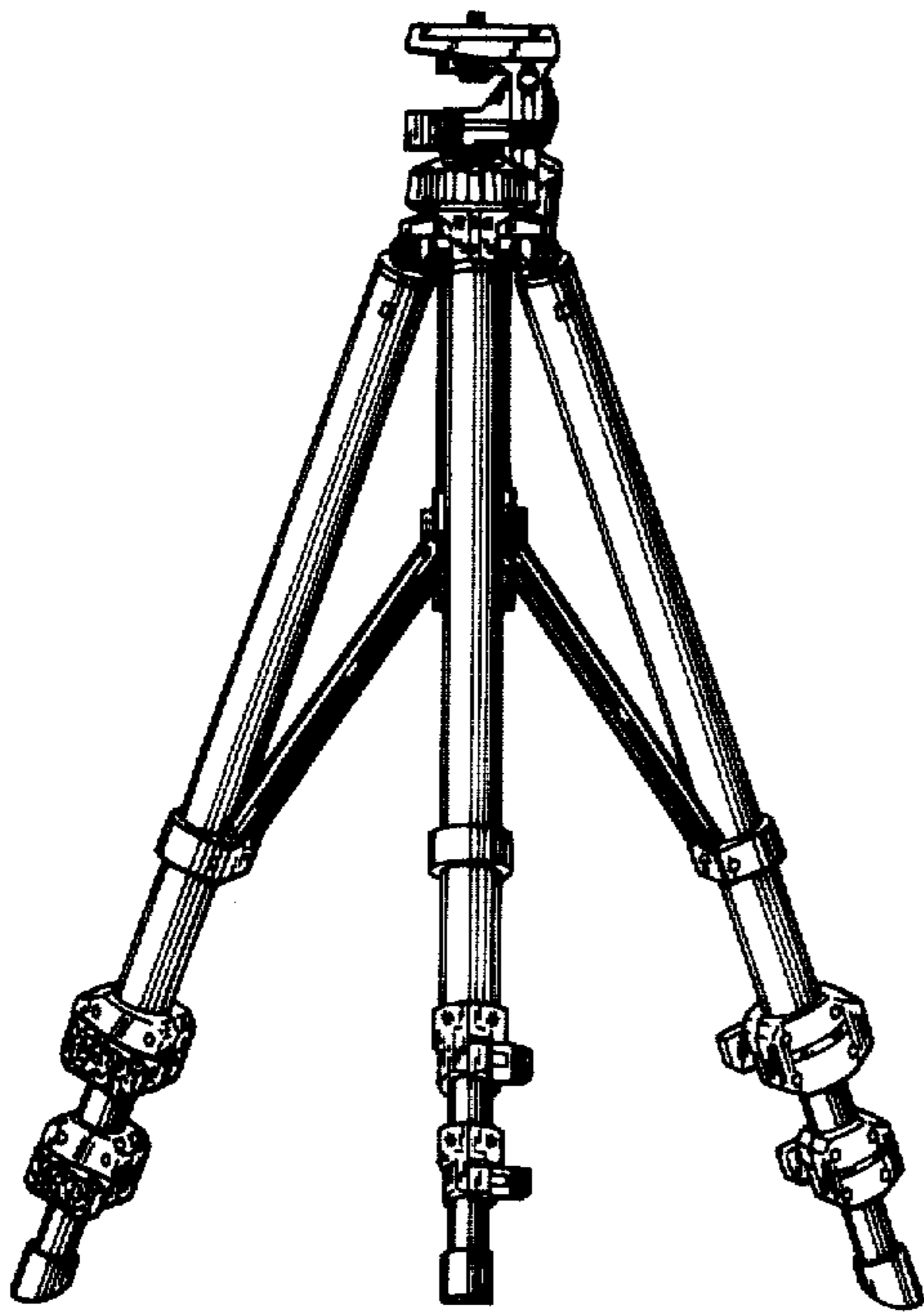


FIG. 3

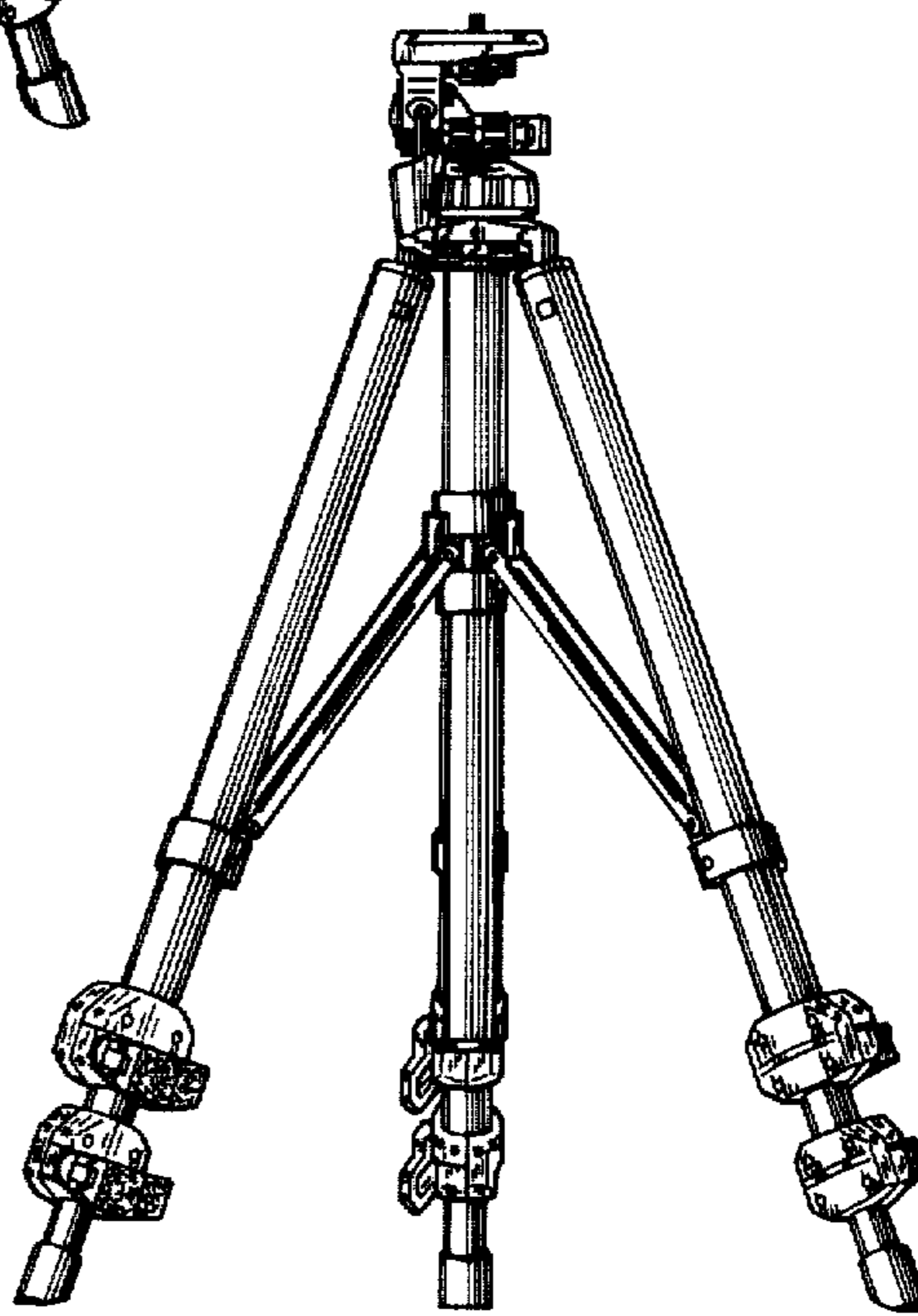


FIG. 4

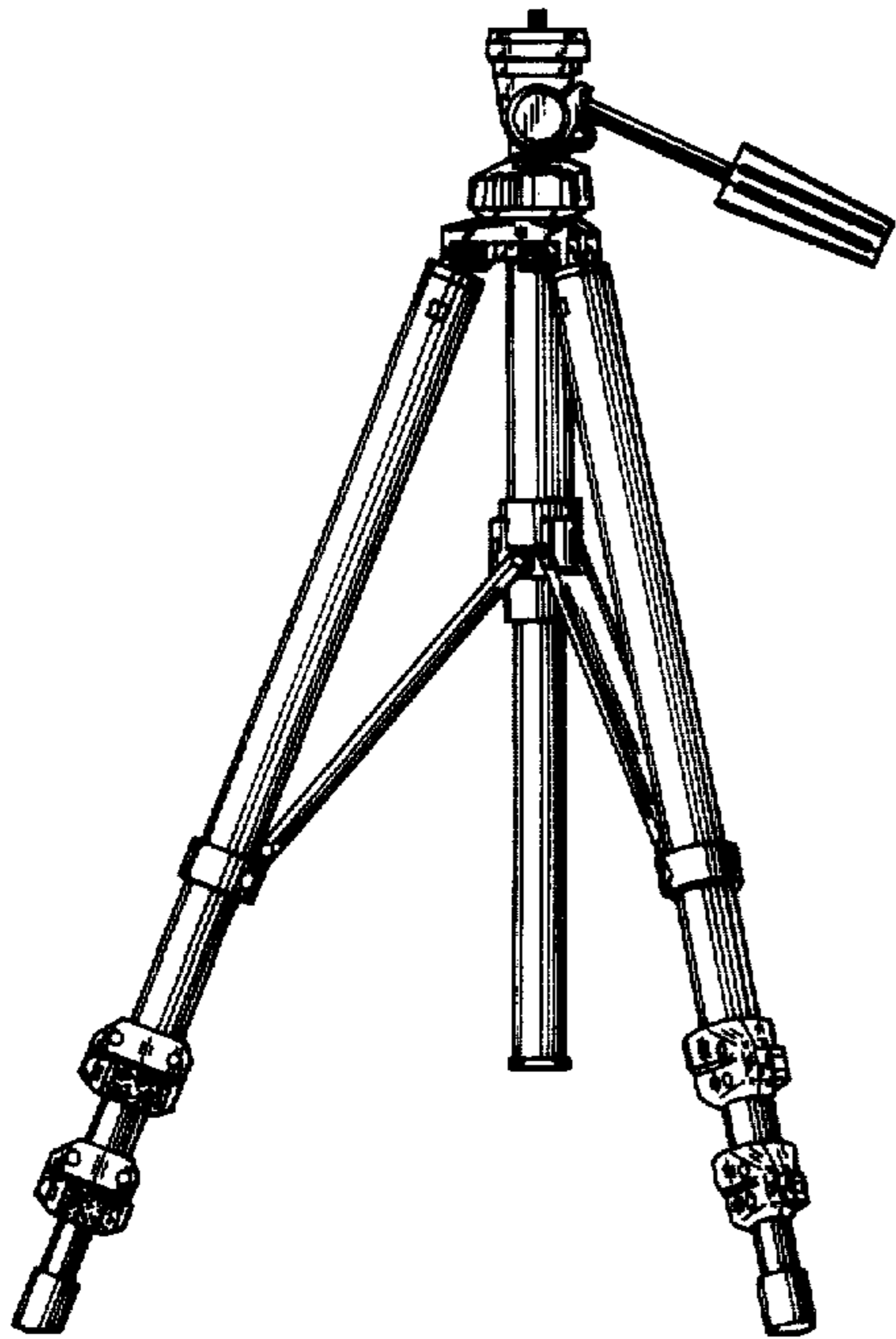


FIG. 5

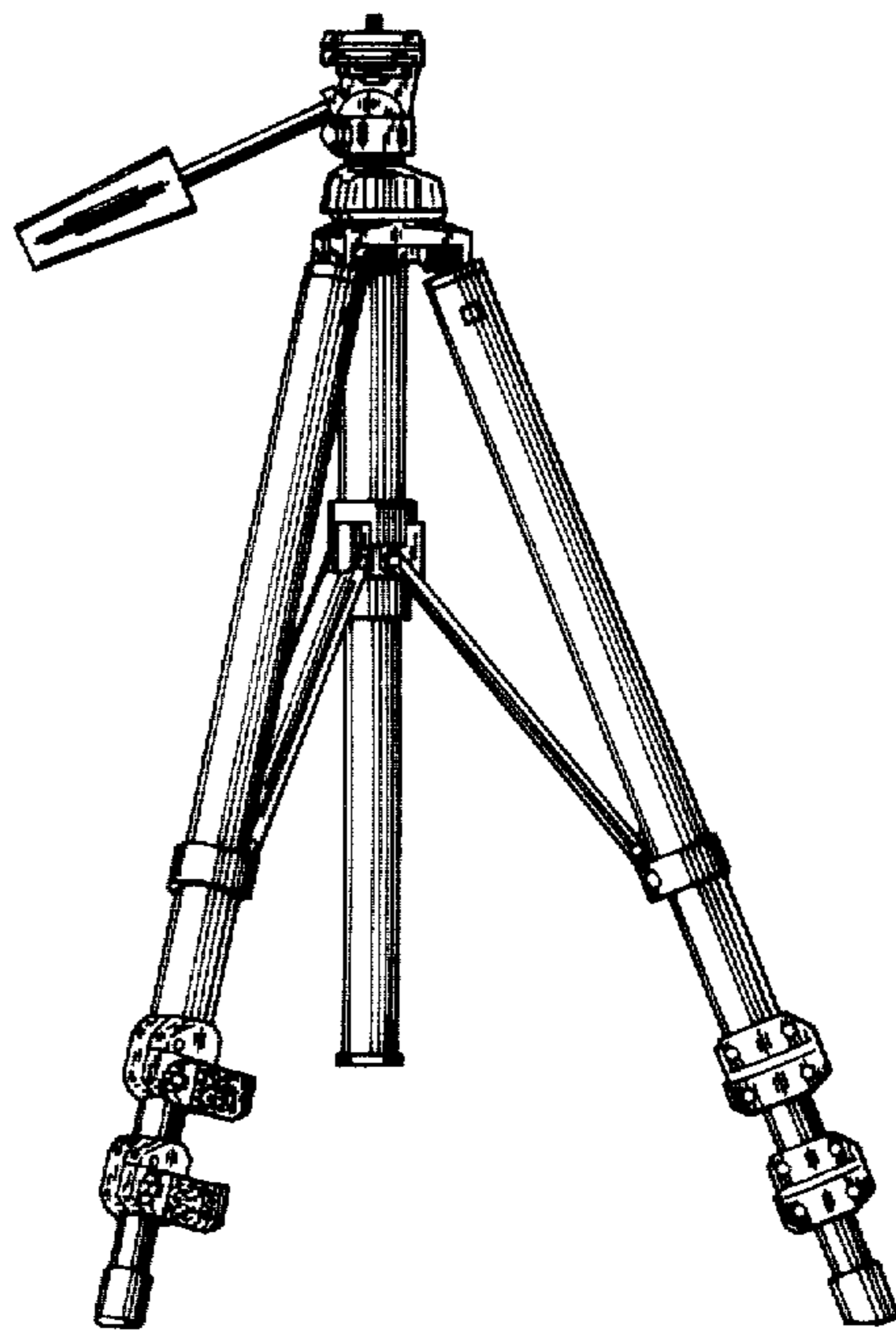


FIG. 6

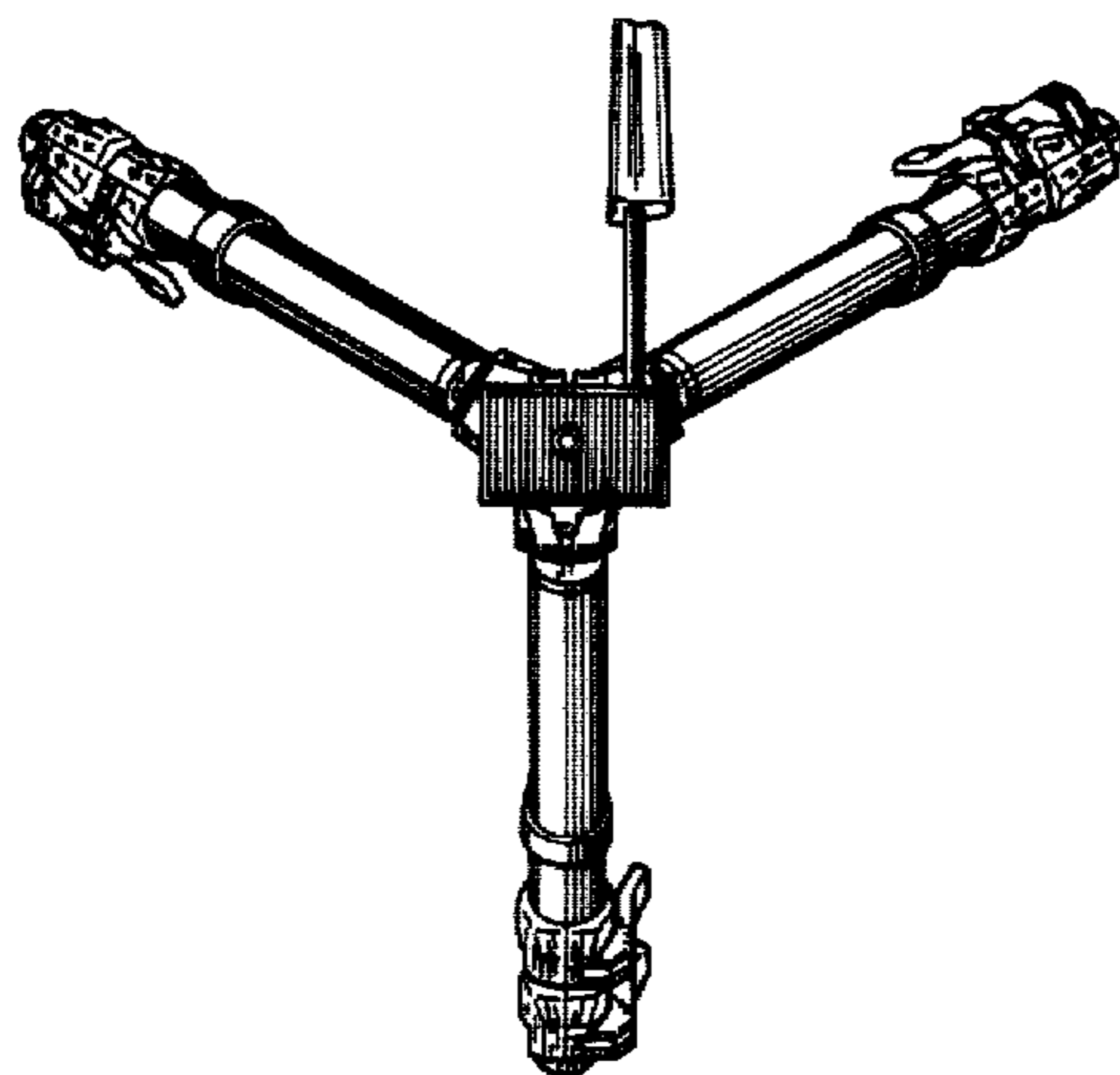


FIG. 7

