

[54] LOUDSPEAKER

[75] Inventor: Hideaki Ishizaki, Tokyo, Japan

[73] Assignee: Pioneer Kabushiki Kaisha, Tokyo, Japan

[**] Term: 14 Years

[21] Appl. No.: 240,508

[22] Filed: Mar. 4, 1981

[30] Foreign Application Priority Data

Sep. 5, 1980 [JP] Japan 55-36654

[51] Int. Cl. D14-01

[52] U.S. Cl. D14/34

[58] Field of Search D14/30, 32-34, D14/37, 39; 179/1 E, 1 VE, 184; 181/148, 150, 145

[56] References Cited

U.S. PATENT DOCUMENTS

D. 158,220 4/1950 Sandler .

- D. 237,804 11/1975 Kizawa .
- D. 247,489 3/1978 Jabara .
- D. 248,757 8/1978 Bokmiller D14/37
- D. 258,208 2/1981 Kawachi .
- D. 258,359 2/1981 Iijima .
- 2,821,260 1/1958 Shaffer .
- 3,941,207 3/1976 Croup .

Primary Examiner—Jane E. Corrigan
Attorney, Agent, or Firm—Armstrong, Nikaido, Marmelstein & Kubovcik

[57] CLAIM

The ornamental design for a loudspeaker, as shown and described.

DESCRIPTION

- FIG. 1 is a front elevational view of a loudspeaker showing my new design;
- FIG. 2 is a rear elevational view;
- FIG. 3 is a top plan view;
- FIG. 4 is a bottom plan view;
- FIG. 5 is a right side elevational view;
- FIG. 6 is a left side elevational view; and
- FIG. 7 is a front and left side perspective view.

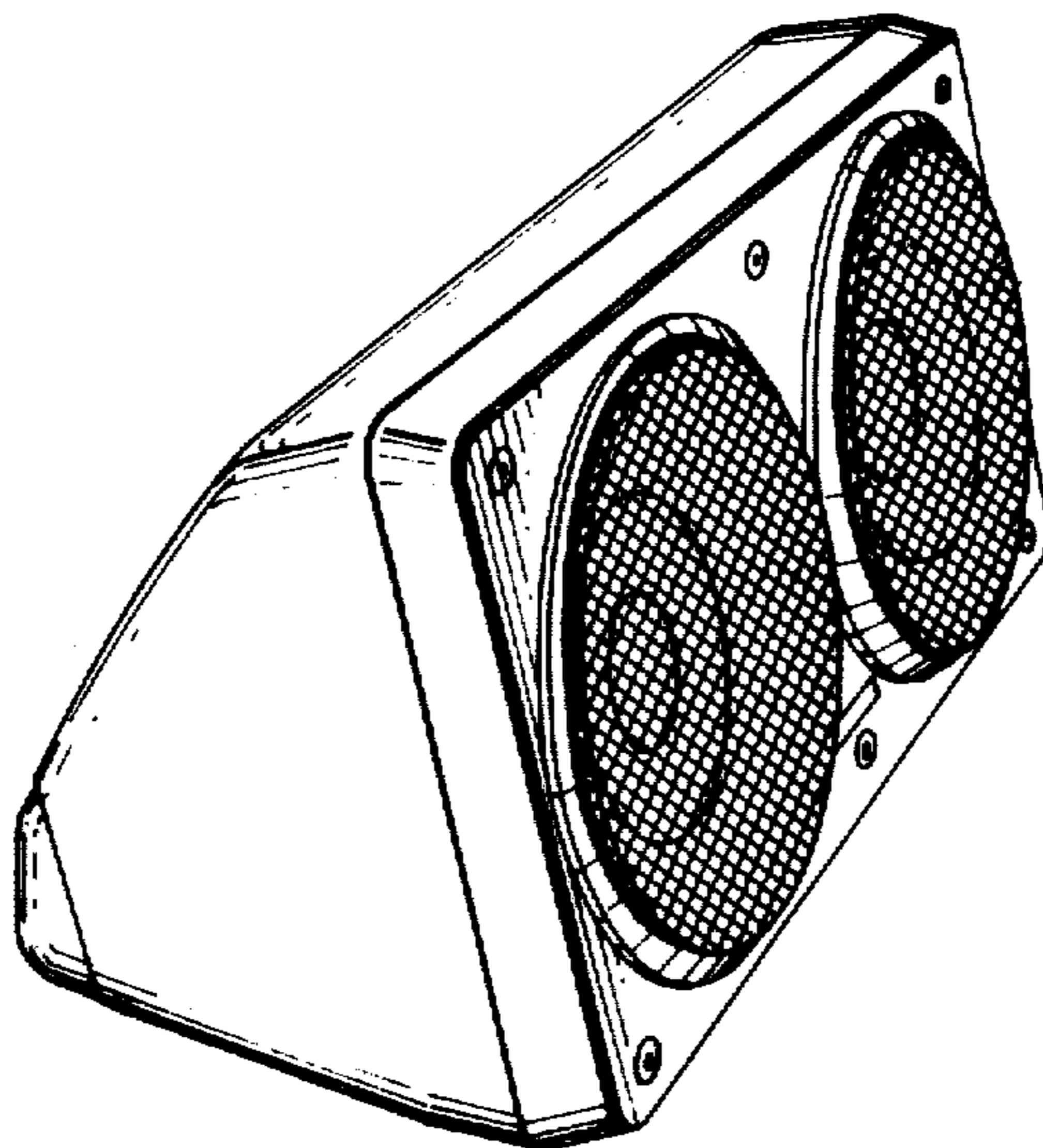


FIG. 1

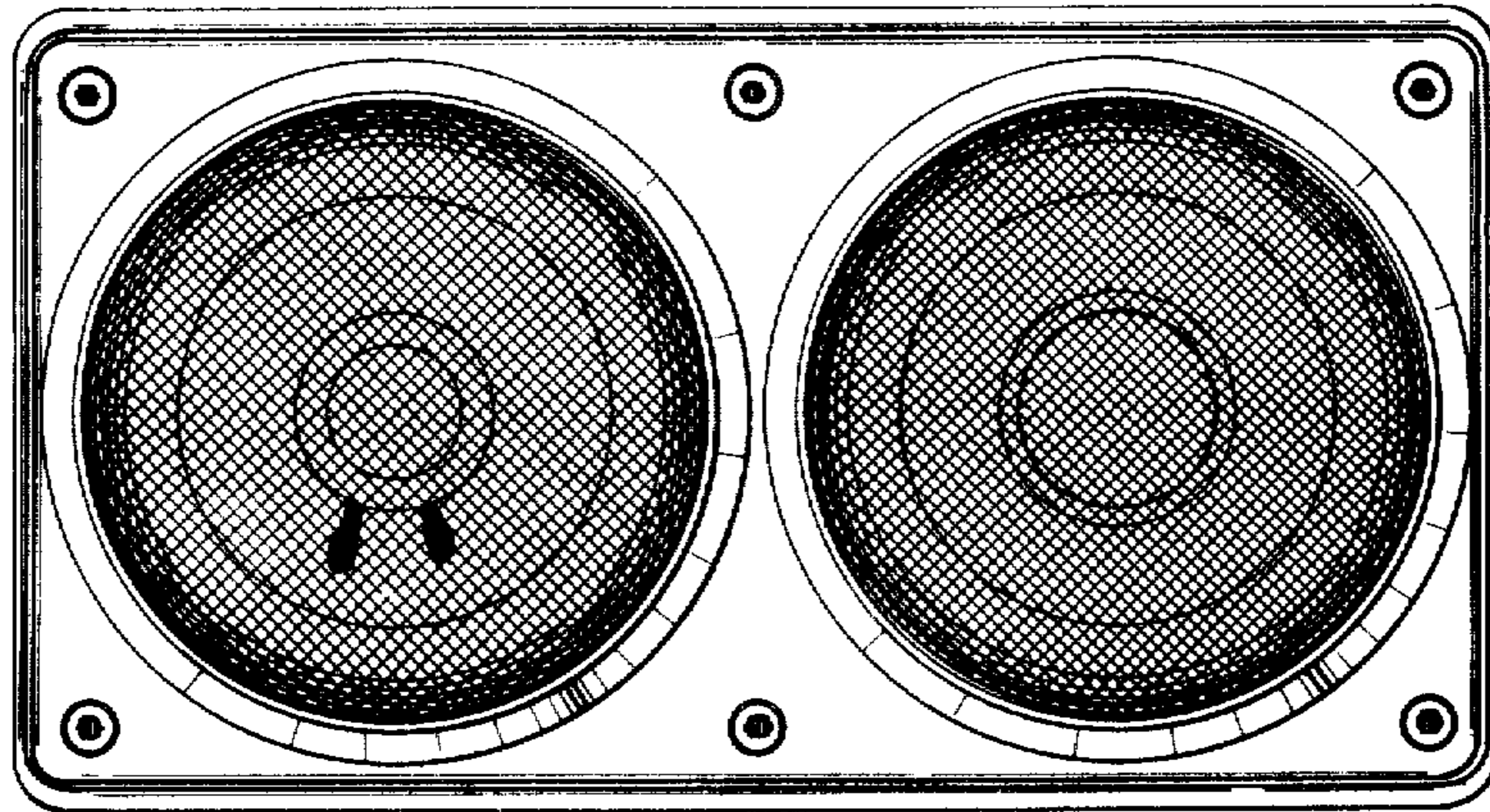


FIG. 2

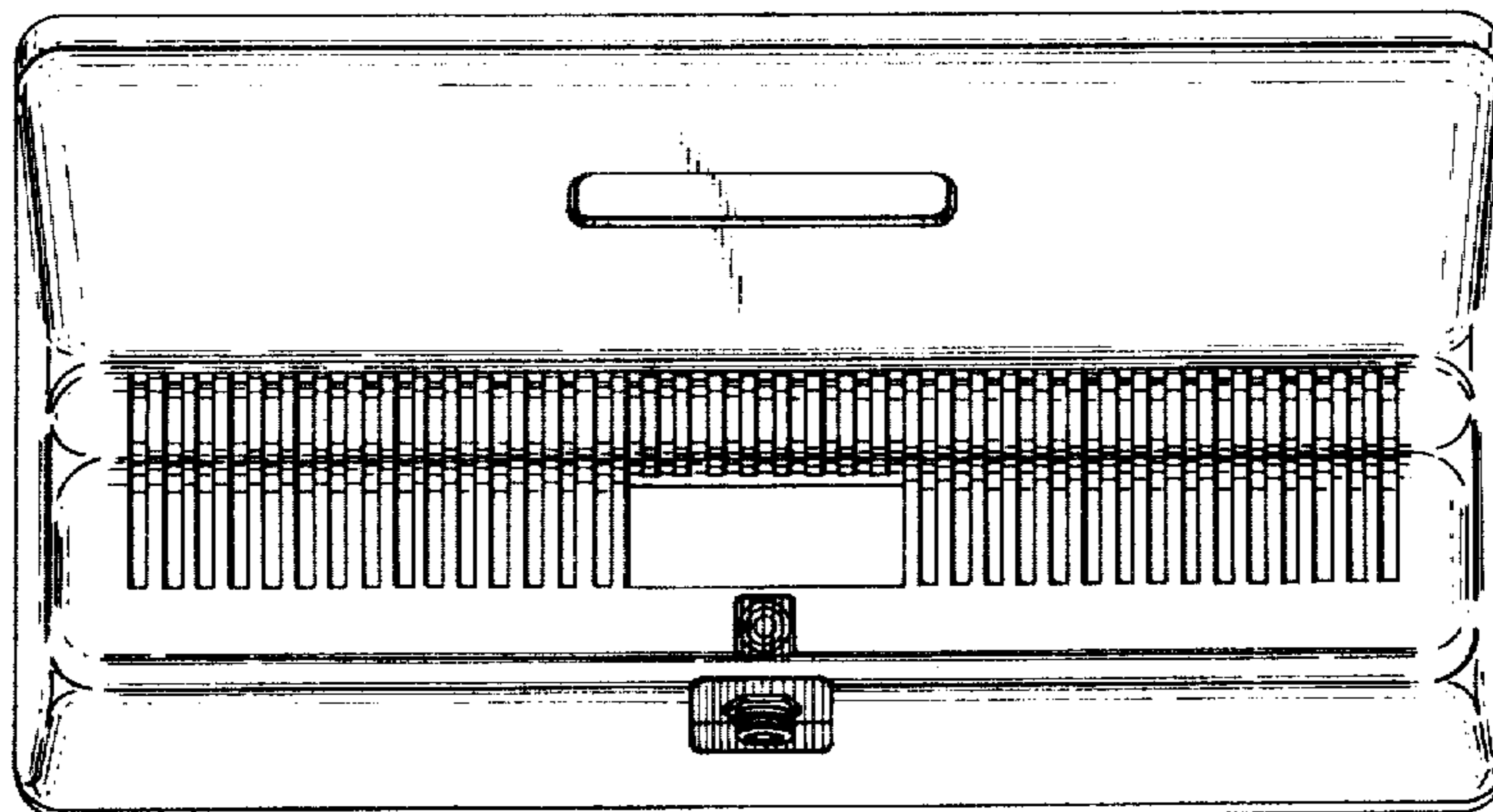


FIG. 3

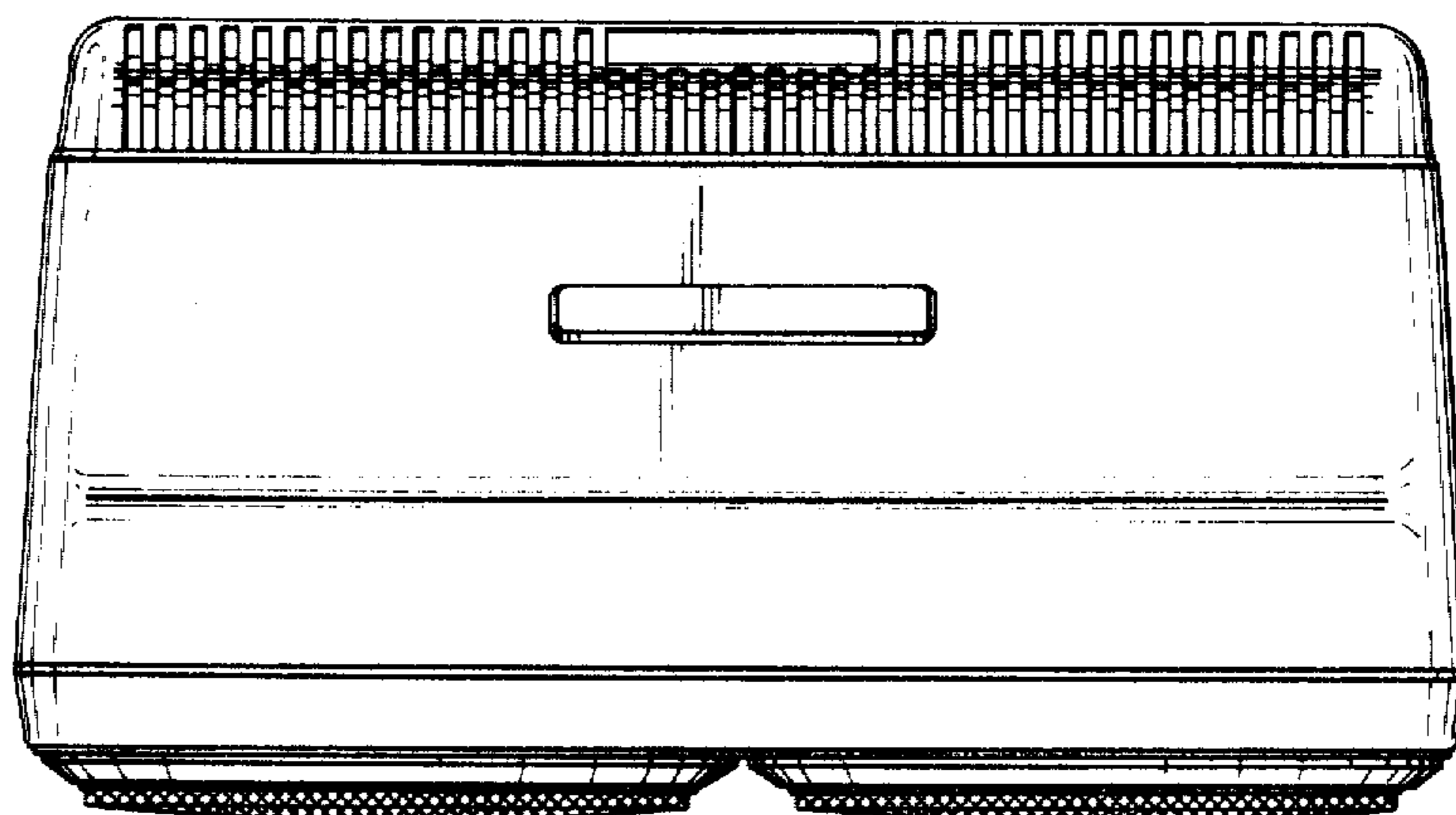
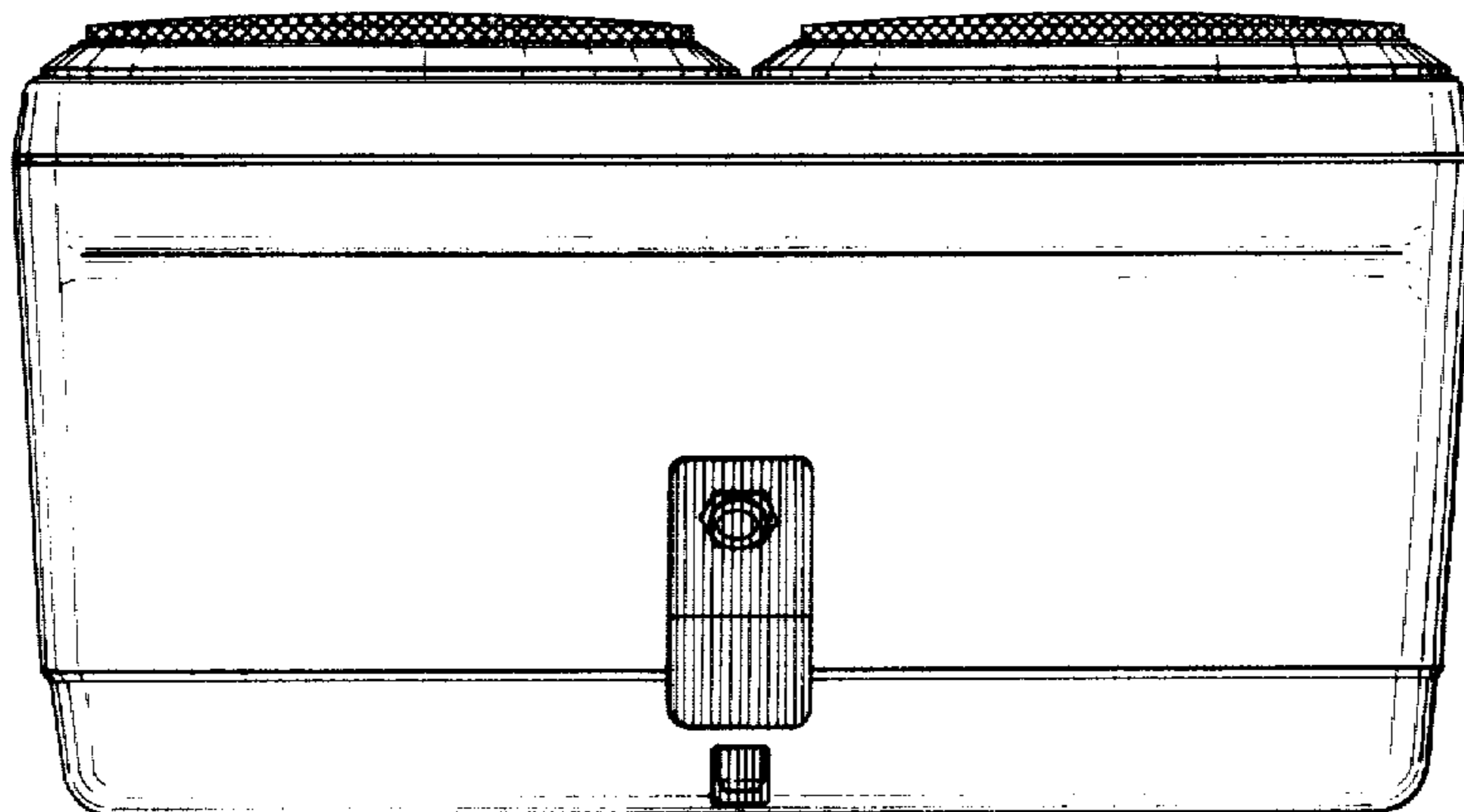


FIG. 4



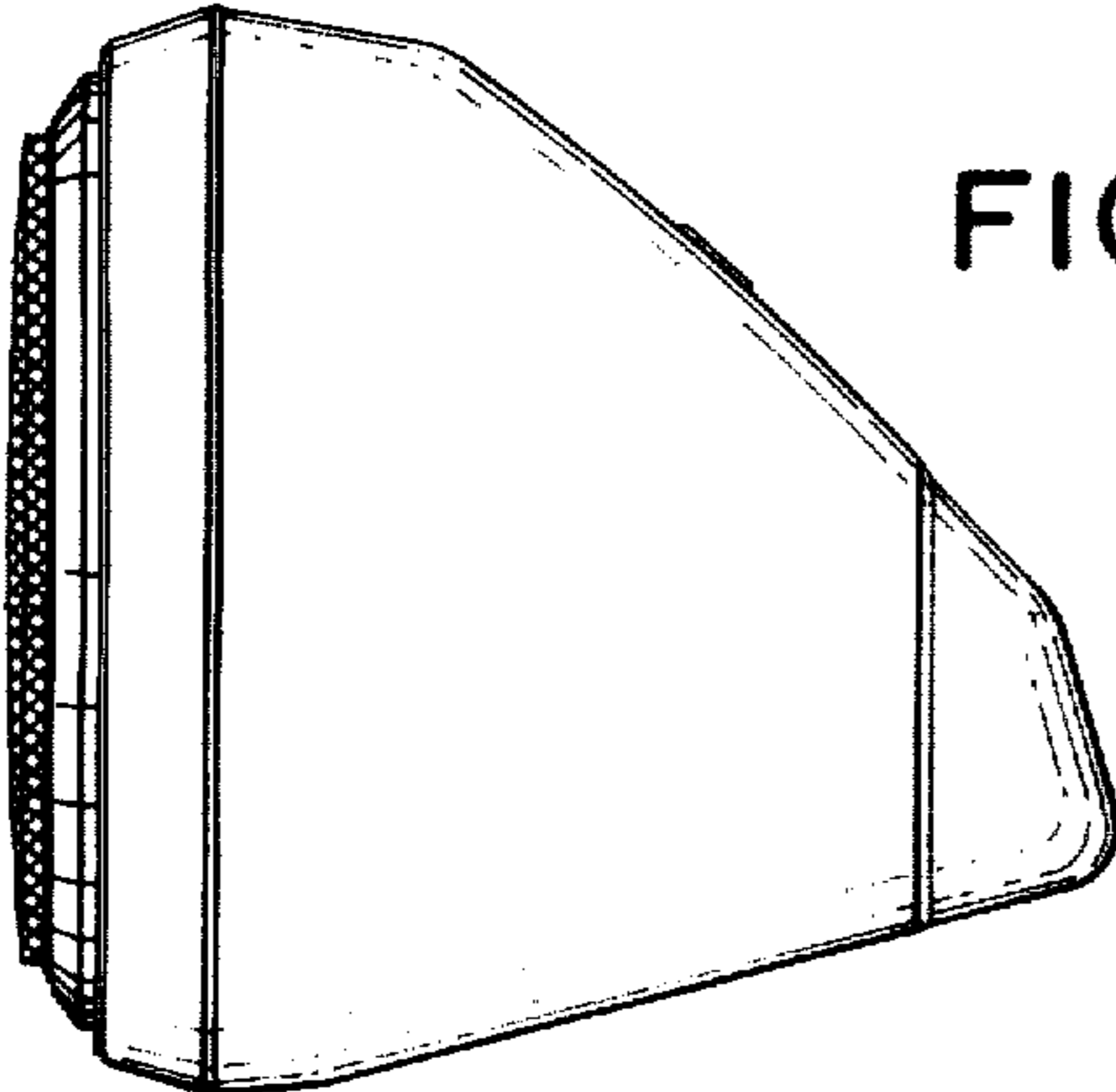


FIG. 5

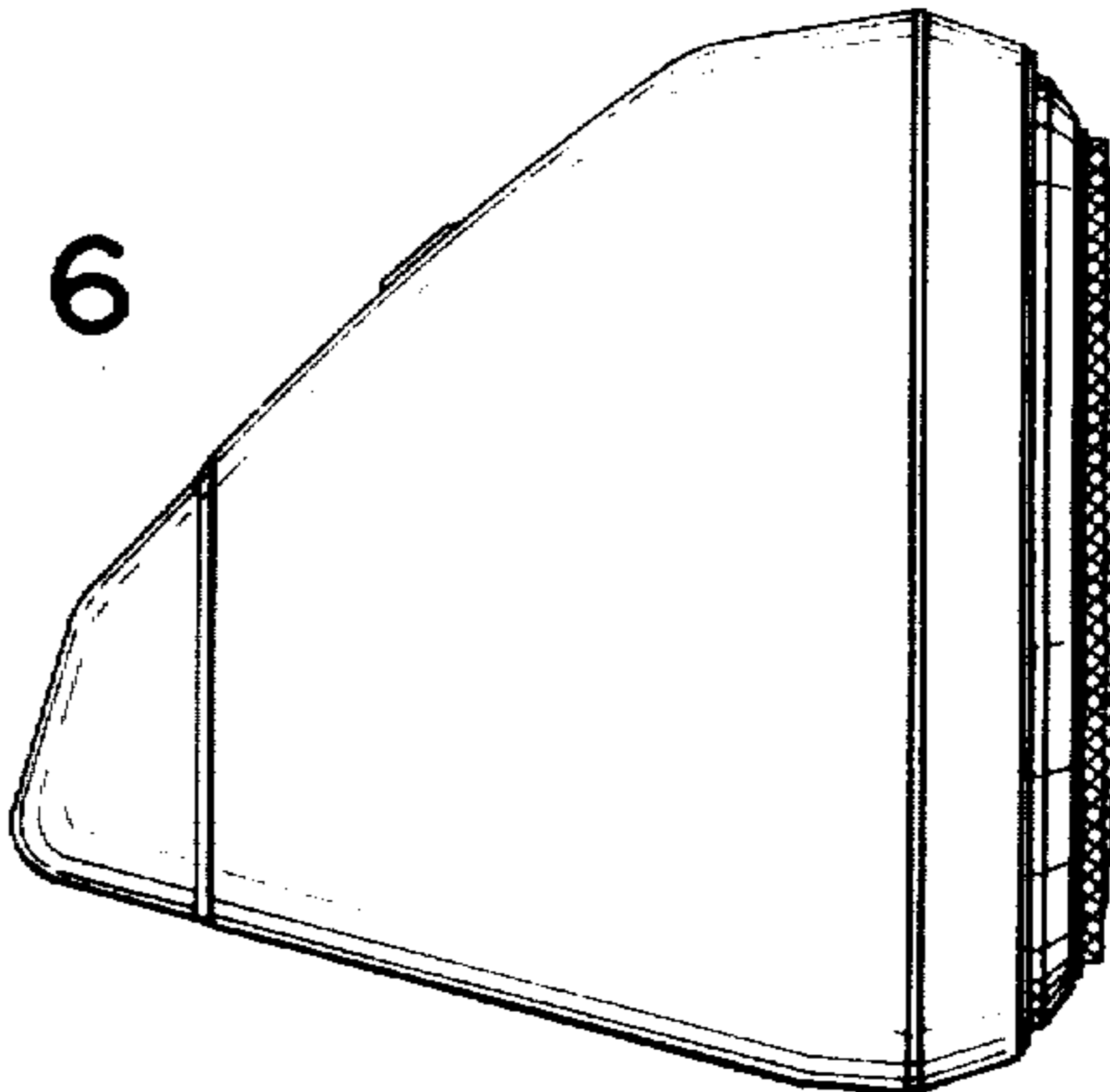


FIG. 6

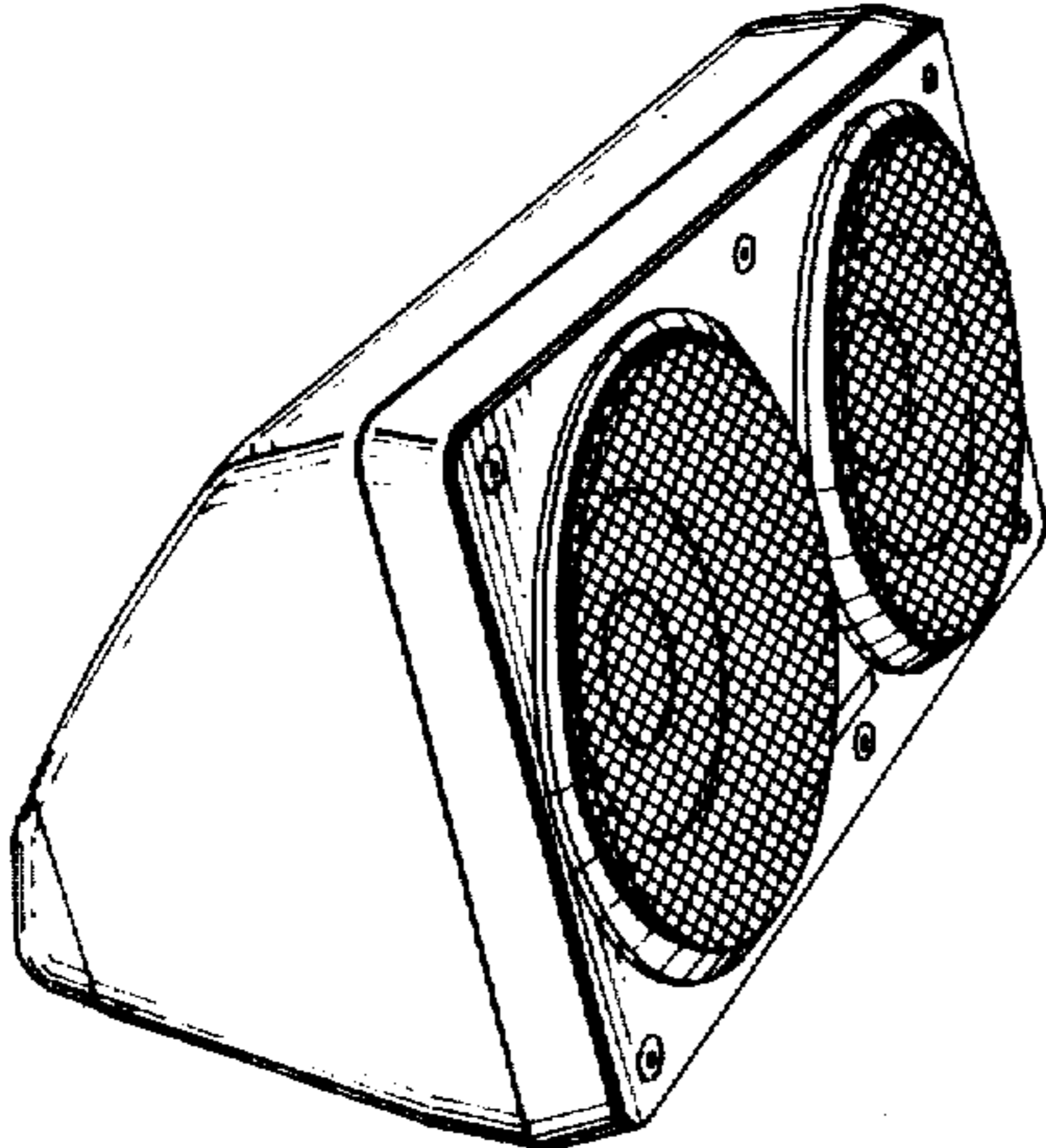


FIG. 7