

[54] BATTERY TRAY

[75] Inventors: Samuel M. Seltzer; Saul Dennison, both of Livingston, N.J.

[73] Assignee: Allison Corporation, Livingston, N.J.

[**] Term: 14 Years

[21] Appl. No.: 251,511

[22] Filed: Apr. 6, 1981

[51] Int. Cl. D13-02

[52] U.S. Cl. D13/10

[58] Field of Search D13/10; 206/335; 180/68.5; 296/1 F; 429/98, 99, 100; D7/37

[56] References Cited

U.S. PATENT DOCUMENTS

- 3,165,163 1/1965 Holka 180/68.5
- 4,327,809 5/1982 Fenstermaker 180/68.5

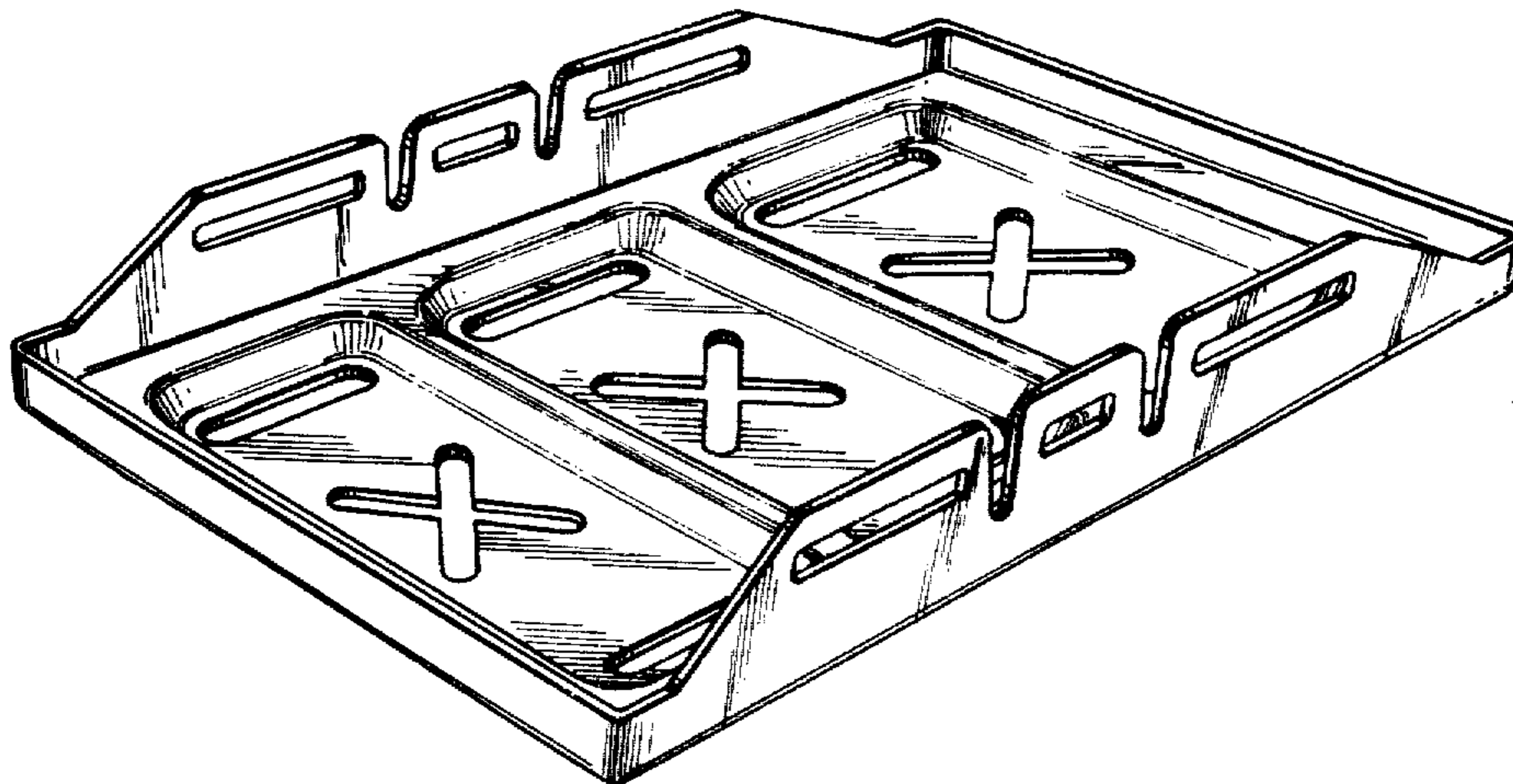
Primary Examiner—Susan J. Lucas
Attorney, Agent, or Firm—Abraham Friedman

[57] CLAIM

The ornamental design for a battery tray, substantially as shown.

DESCRIPTION

FIG. 1 is a front perspective view of a battery tray showing our new design;
 FIG. 2 is a top plan view;
 FIG. 3 is a front elevational view;
 FIG. 4 is a left side elevational view;
 FIG. 5 is a bottom plan view.



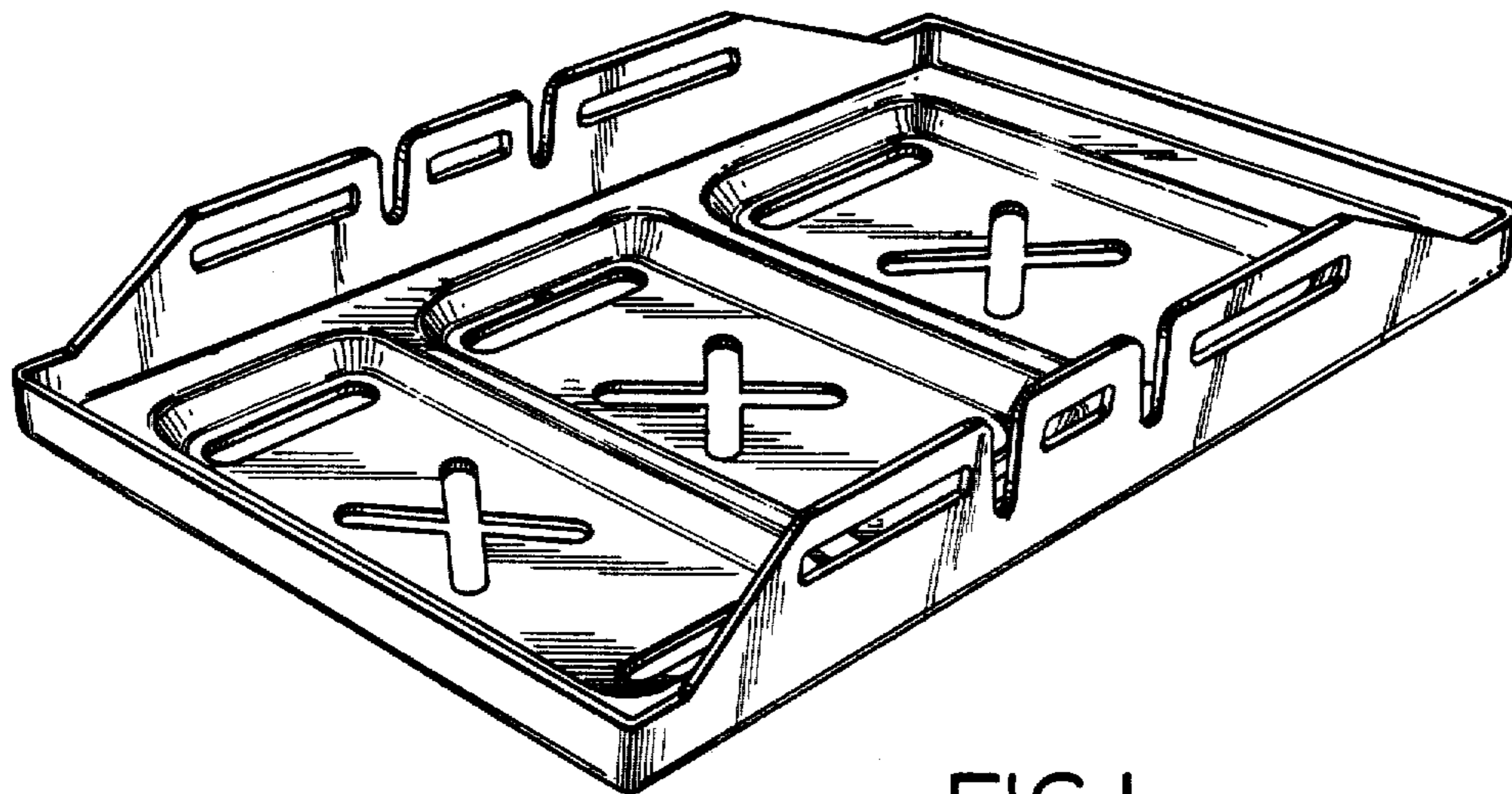


FIG. 1

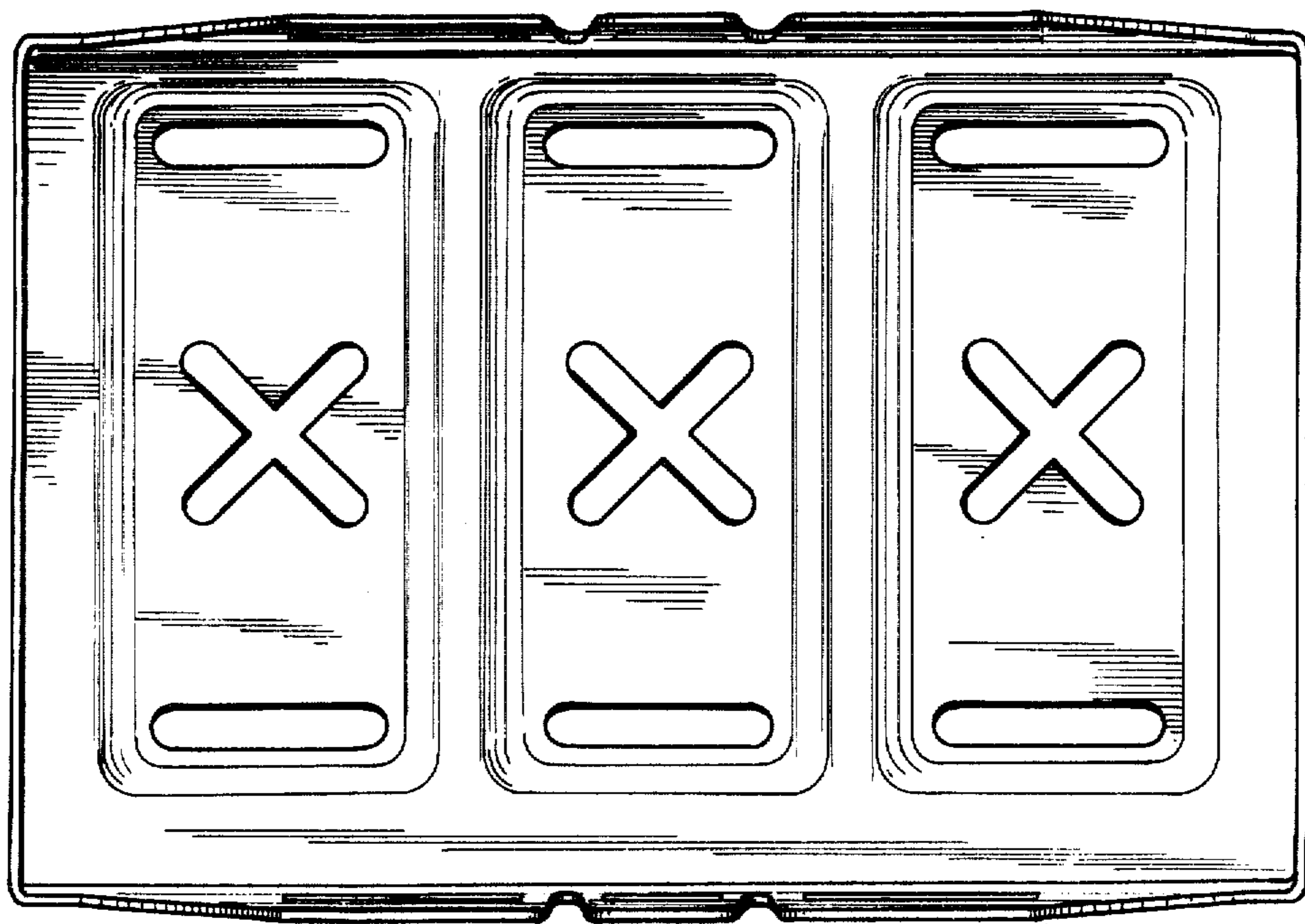


FIG. 2

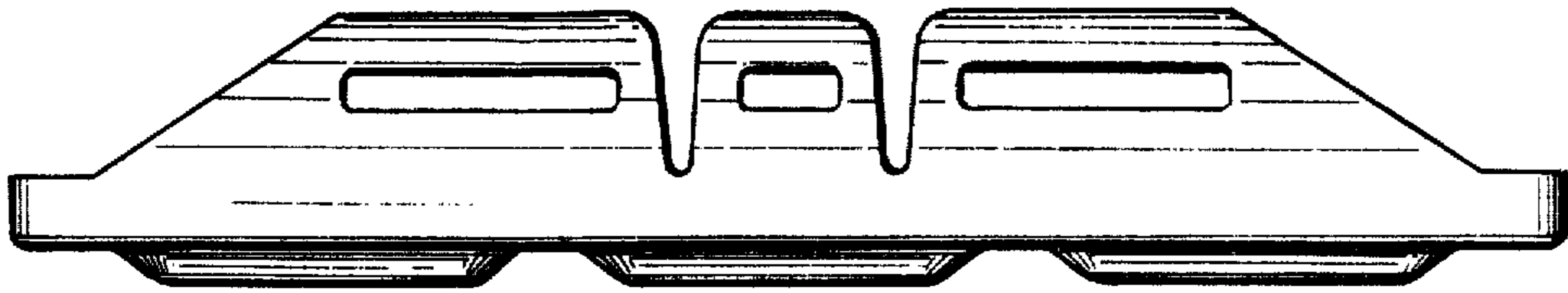


FIG. 3



FIG. 4

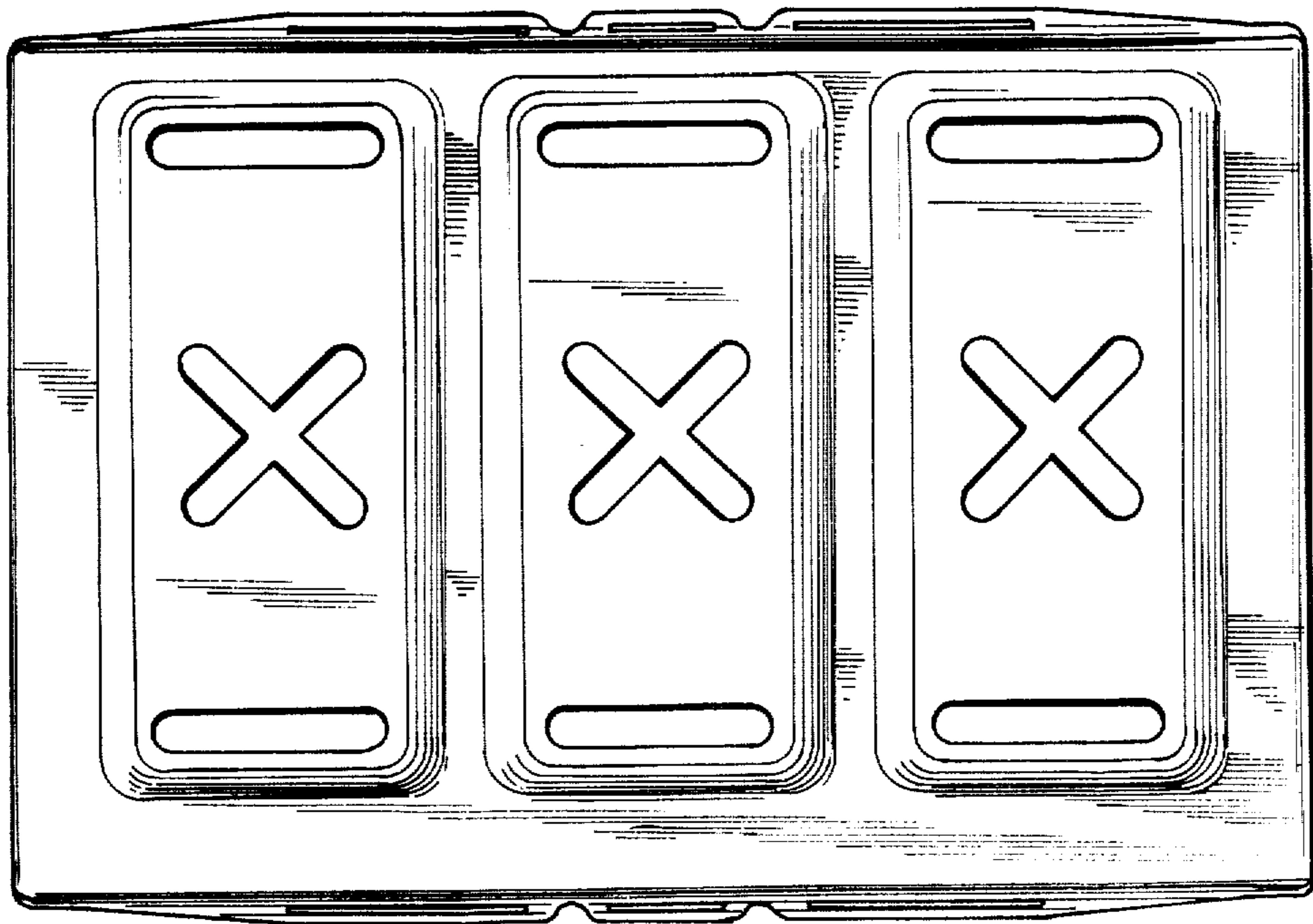


FIG. 5