

[54] **DERAILLEUR FOR A BICYCLE**

[75] **Inventor:** Satoshi Watanabe, Sakai, Japan

[73] **Assignee:** Shimano Industrial Company Limited, Osaka, Japan

[**] **Term:** 14 Years

[21] **Appl. No.:** 231,854

[22] **Filed:** Feb. 5, 1981

[30] **Foreign Application Priority Data**

Aug. 12, 1980 [JP] Japan 55-33121

[51] **Int. Cl.** D12-11

[52] **U.S. Cl.** D12/124

[58] **Field of Search** D12/124; 474/82

[56] **References Cited**

U.S. PATENT DOCUMENTS

D. 239,166 3/1976 Juy D12/124

FOREIGN PATENT DOCUMENTS

2821738 12/1978 Fed. Rep. of Germany 474/82

OTHER PUBLICATIONS

American Bicyclist & Motorcyclist, p. 23, 1/80, Derailleur, lower left side of page.

Primary Examiner—James M. Gandy

Attorney, Agent, or Firm—Stevens, Davis, Miller & Mosher

[57] **CLAIM**

The ornamental design for a derailleur for a bicycle, as shown and described.

DESCRIPTION

FIG. 1 is a top, right, front perspective view of a derailleur for a bicycle showing my new design;

FIG. 2 is a top, left, front perspective view thereof;

FIG. 3 is a front elevational view thereof;

FIG. 4 is a rear elevational view thereof;

FIG. 5 is a bottom view thereof.

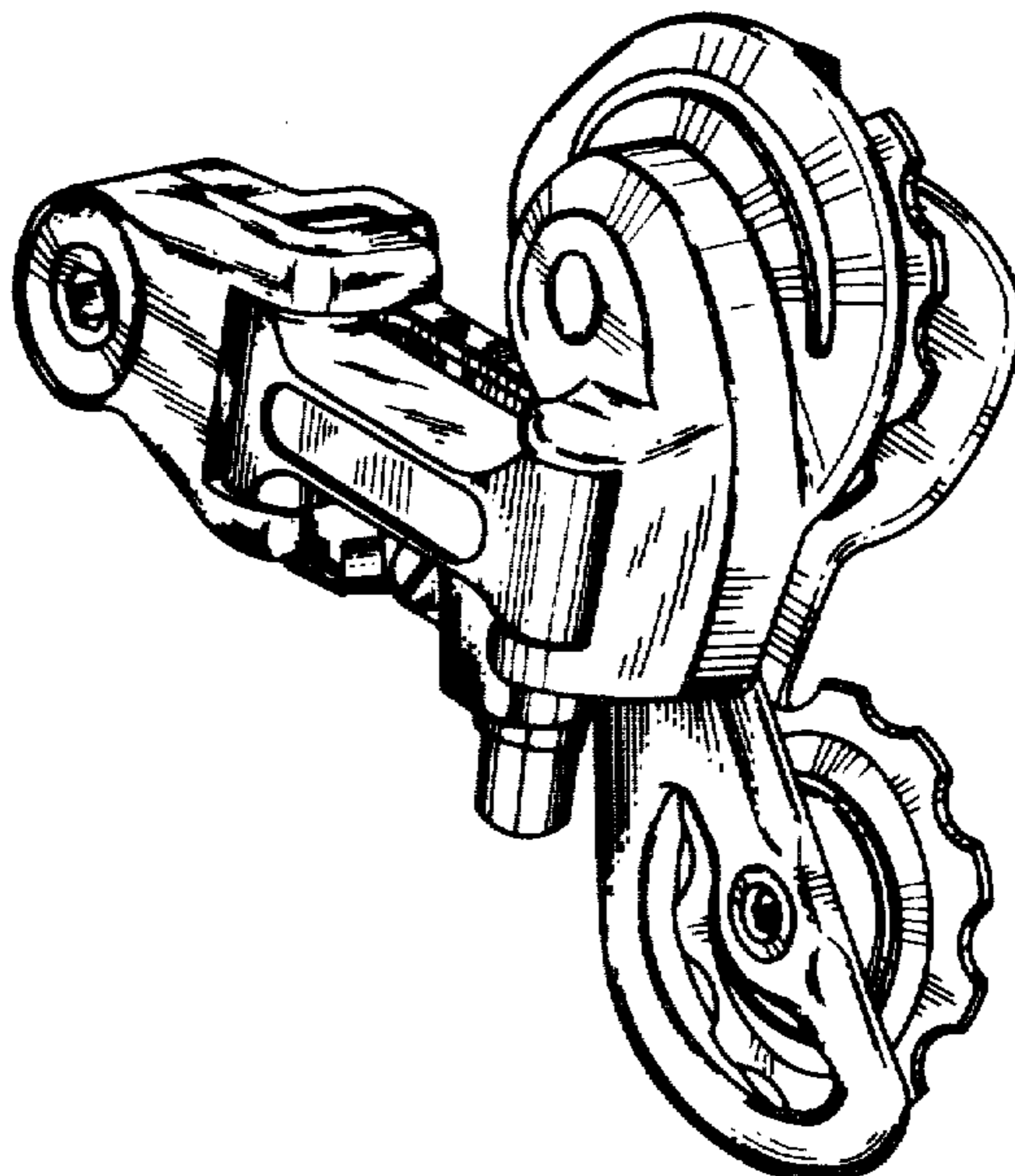


FIG. 1

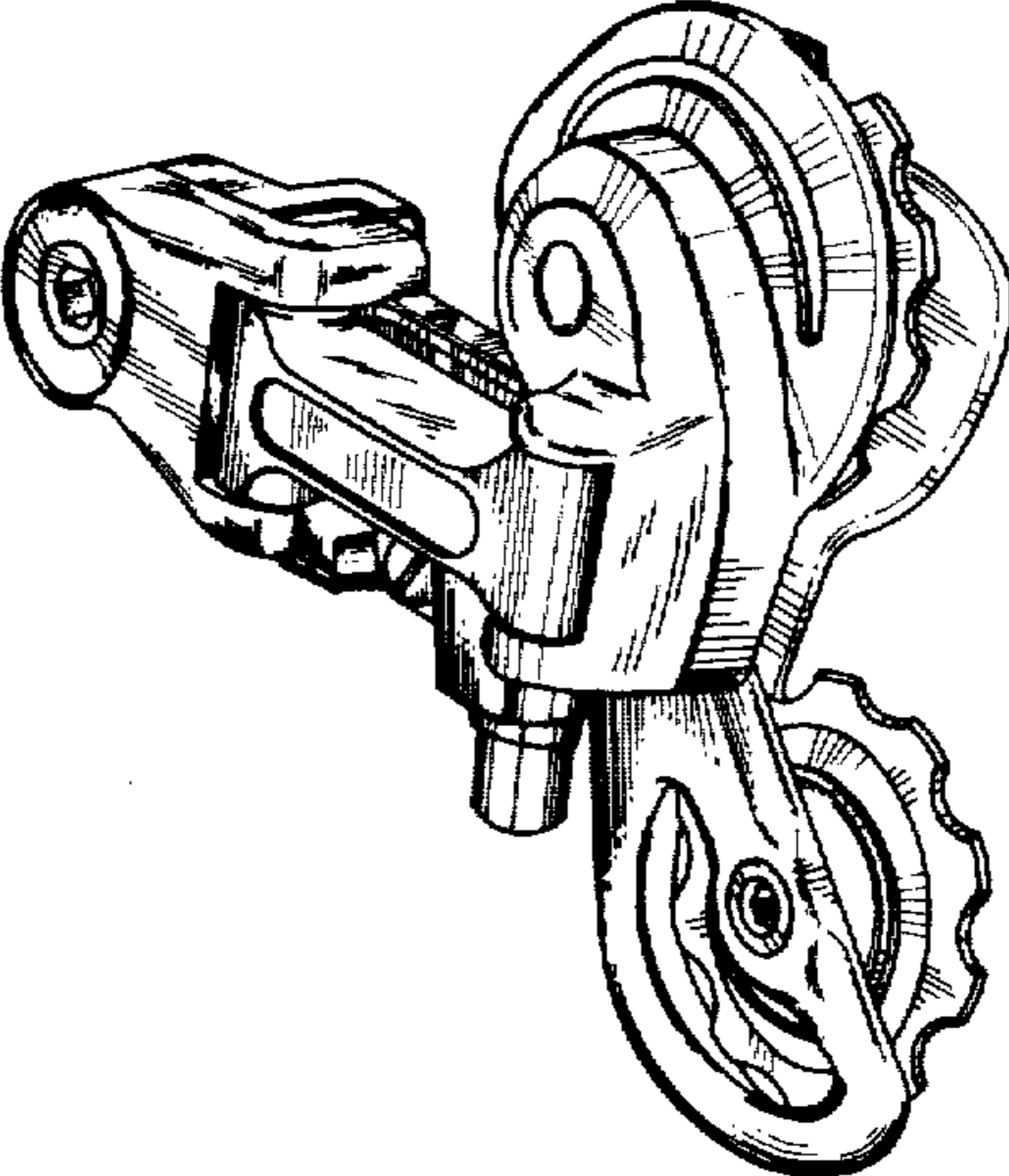


FIG. 2

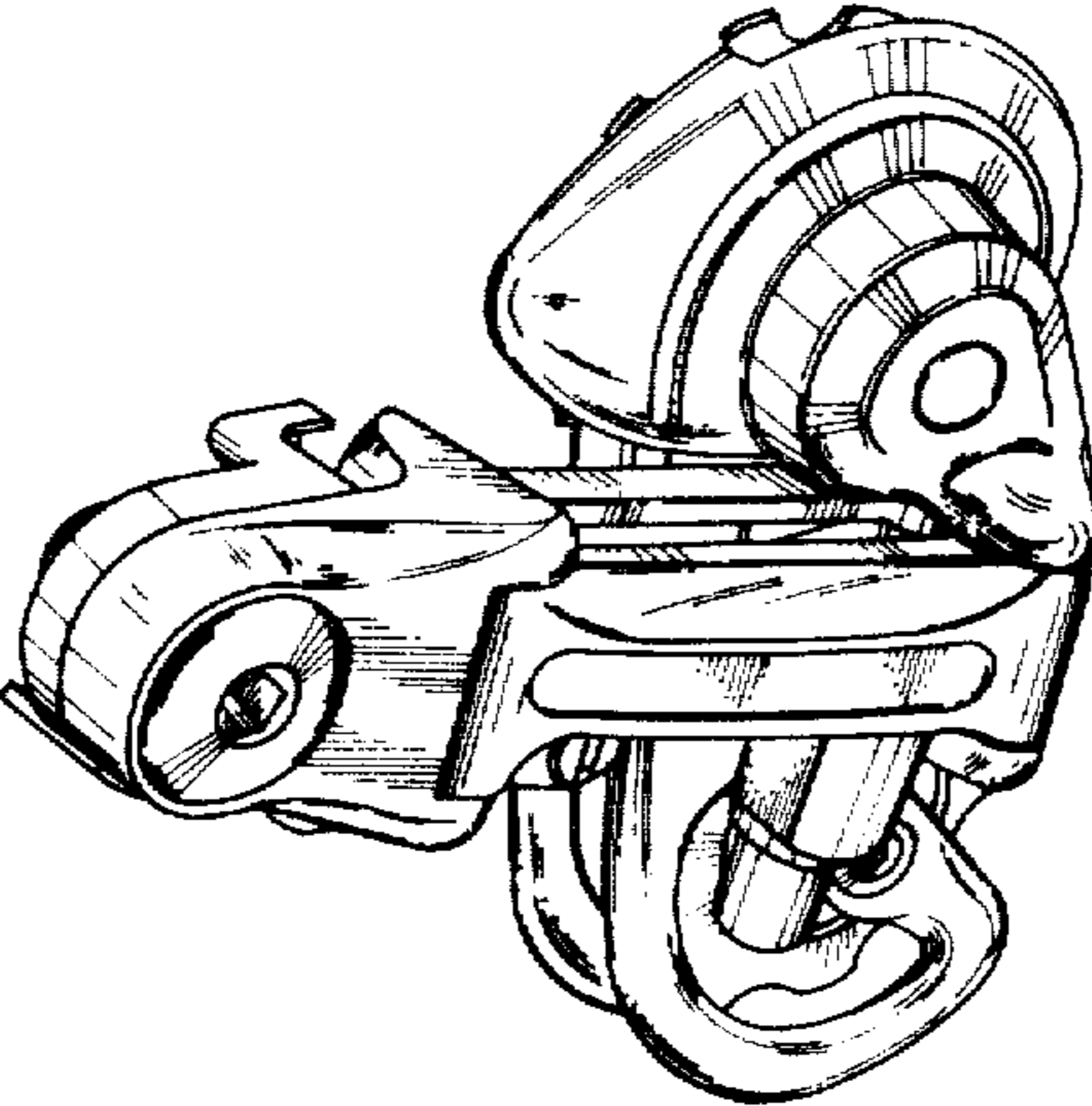


FIG. 3

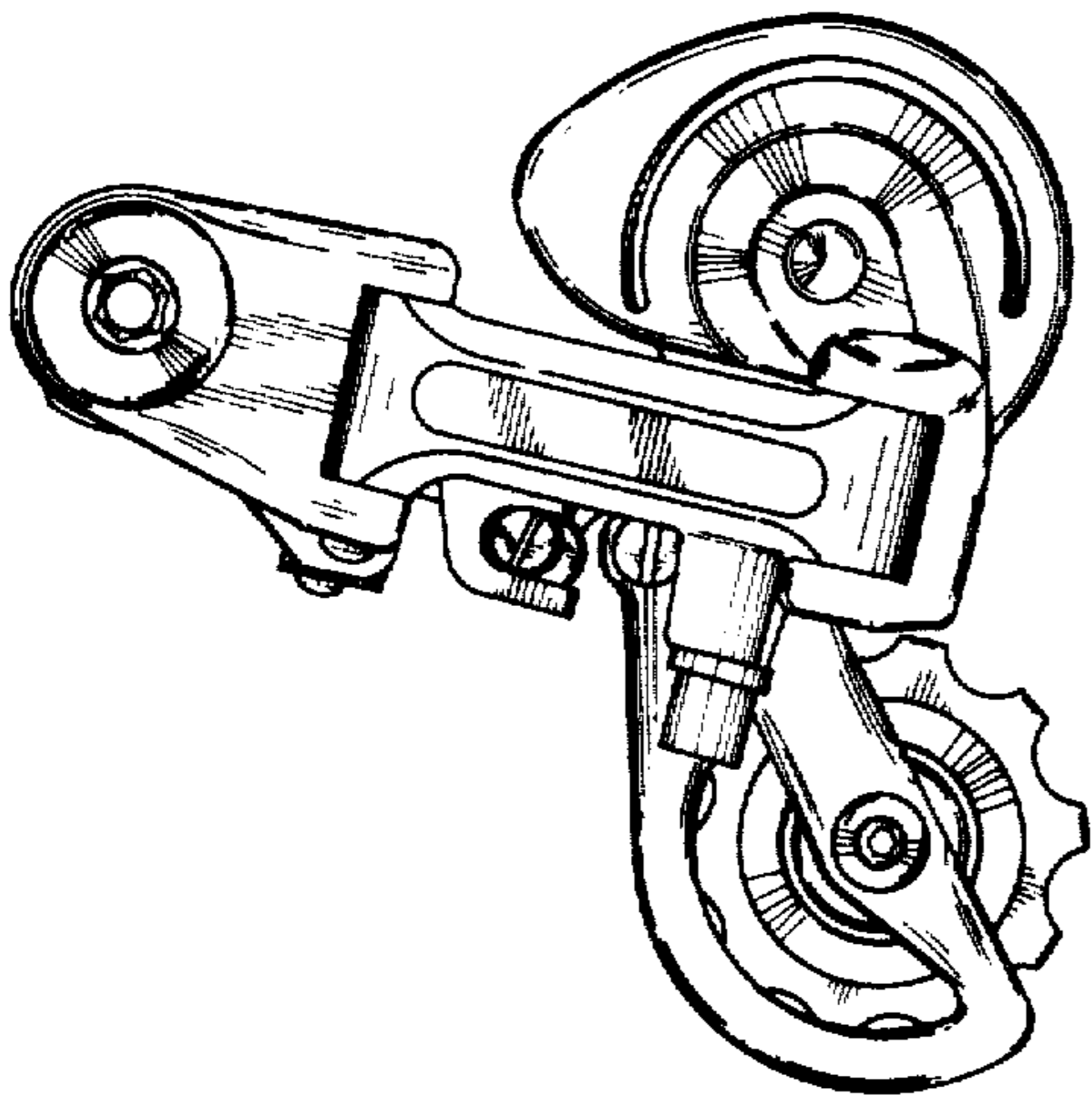


FIG. 4

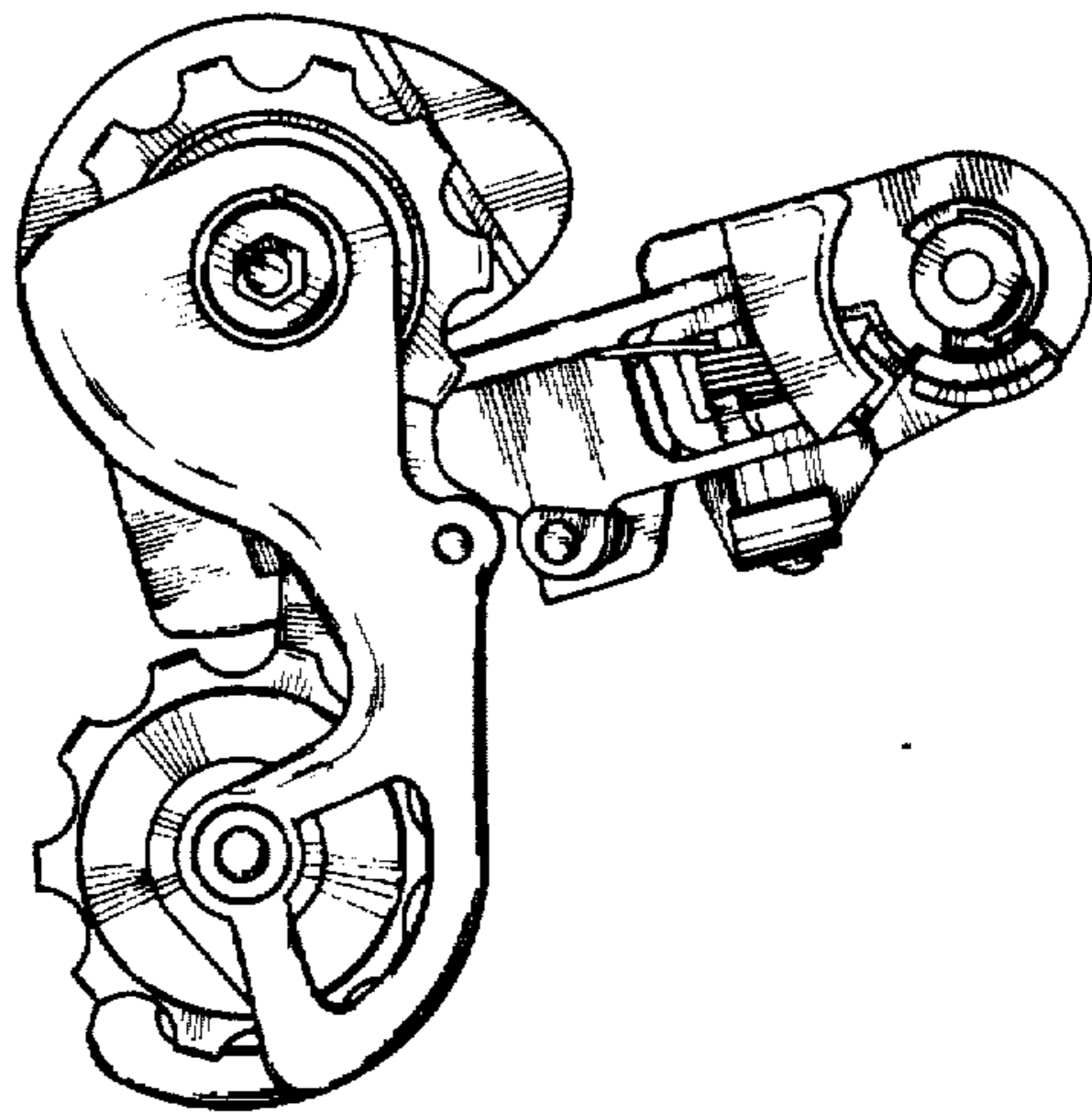


FIG. 5

