

[54] ELECTRONIC CLOCK/TIMER

[75] Inventors: John W. Goodin, Long Beach; Edward E. Albright, Santa Ana; Amy K. Tamura, Long Beach, all of Calif.

[73] Assignee: Dart Industries Inc., Northbrook, Ill.

[**] Term: 14 Years

[21] Appl. No.: 287,961

[22] Filed: Jul. 29, 1981

[51] Int. Cl. D10-01

[52] U.S. Cl. D10/15; D10/40; D10/2

[58] Field of Search D10/2, 15, 40, 30; 368/107-113, 82-84, 223, 229, 239-242

[56] References Cited

U.S. PATENT DOCUMENTS

D. 250,934	1/1979	Fannin	D10/40
D. 252,614	8/1979	Thornberry	D10/15
D. 259,348	5/1981	Sakai	D10/2
D. 260,138	8/1981	Chapman	D10/40

OTHER PUBLICATIONS

Interior Design-7-8/79-p. 57-Clocks at bottom-center & right.

Popular Science-2/79-p. 112-Clocks at top and bottom-right.

Jeweler's Circular-Keystone-10/79-p. 130-Quartz Timer at center.

Primary Examiner-Nelson C. Holtje

Attorney, Agent, or Firm-Gregory J. Mancuso

[57] CLAIM

The ornamental design for an electronic clock/timer, substantially as shown.

DESCRIPTION

FIG. 1 is a top and right front perspective view of an electronic clock/timer showing our new design;

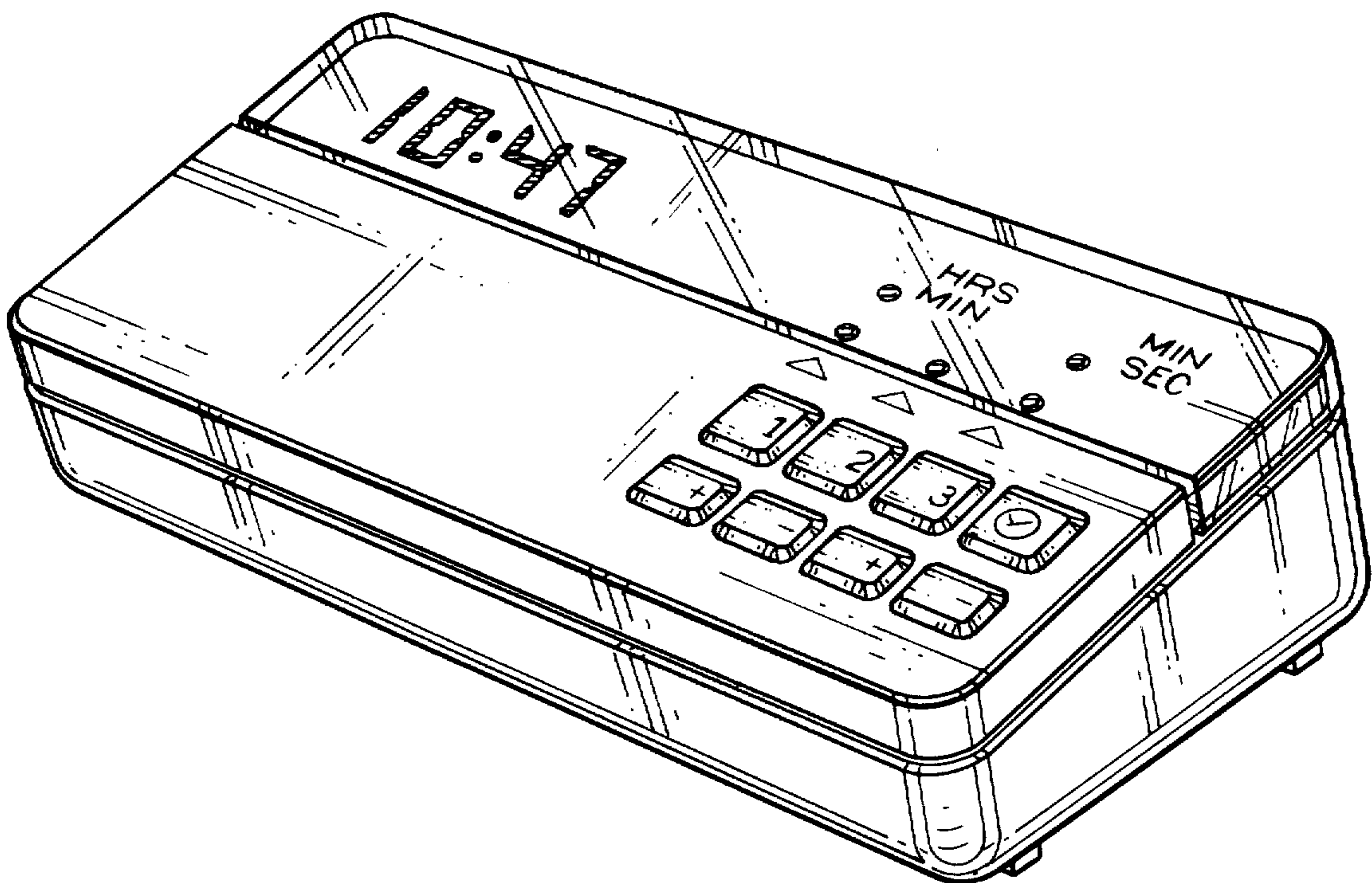
FIG. 2 is a front elevational view thereof;

FIG. 3 is a top plan view thereof;

FIG. 4 is a left side elevational view thereof;

FIG. 5 is a bottom plan view thereof;

FIG. 6 is a rear elevational view thereof.



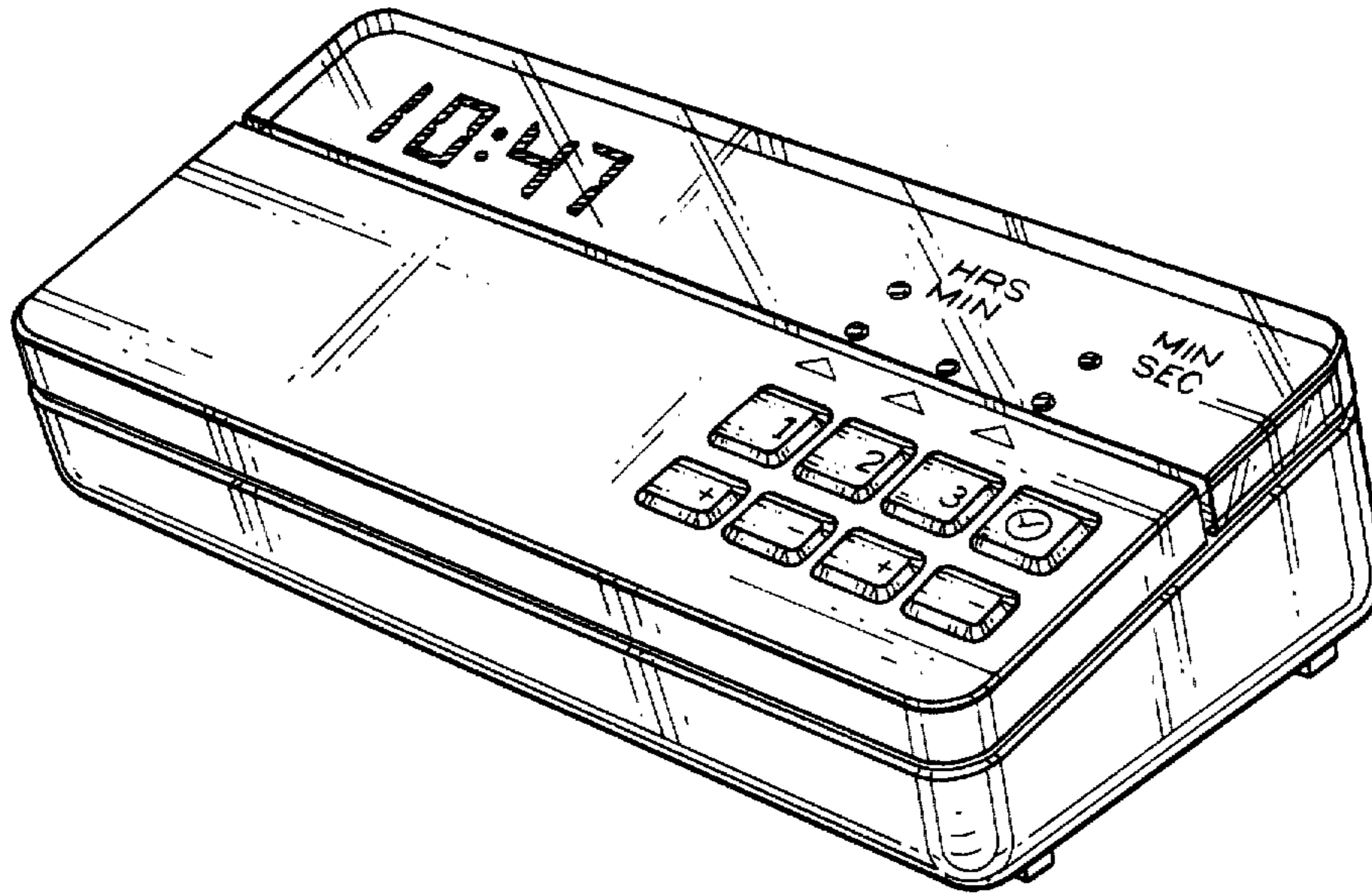


FIG. 1

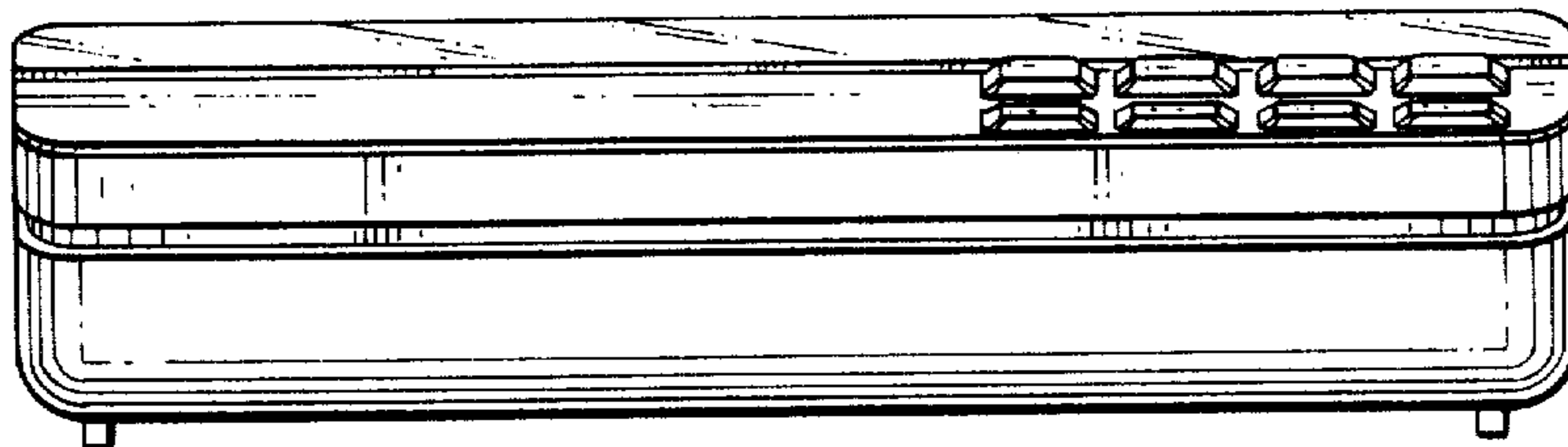


FIG. 2

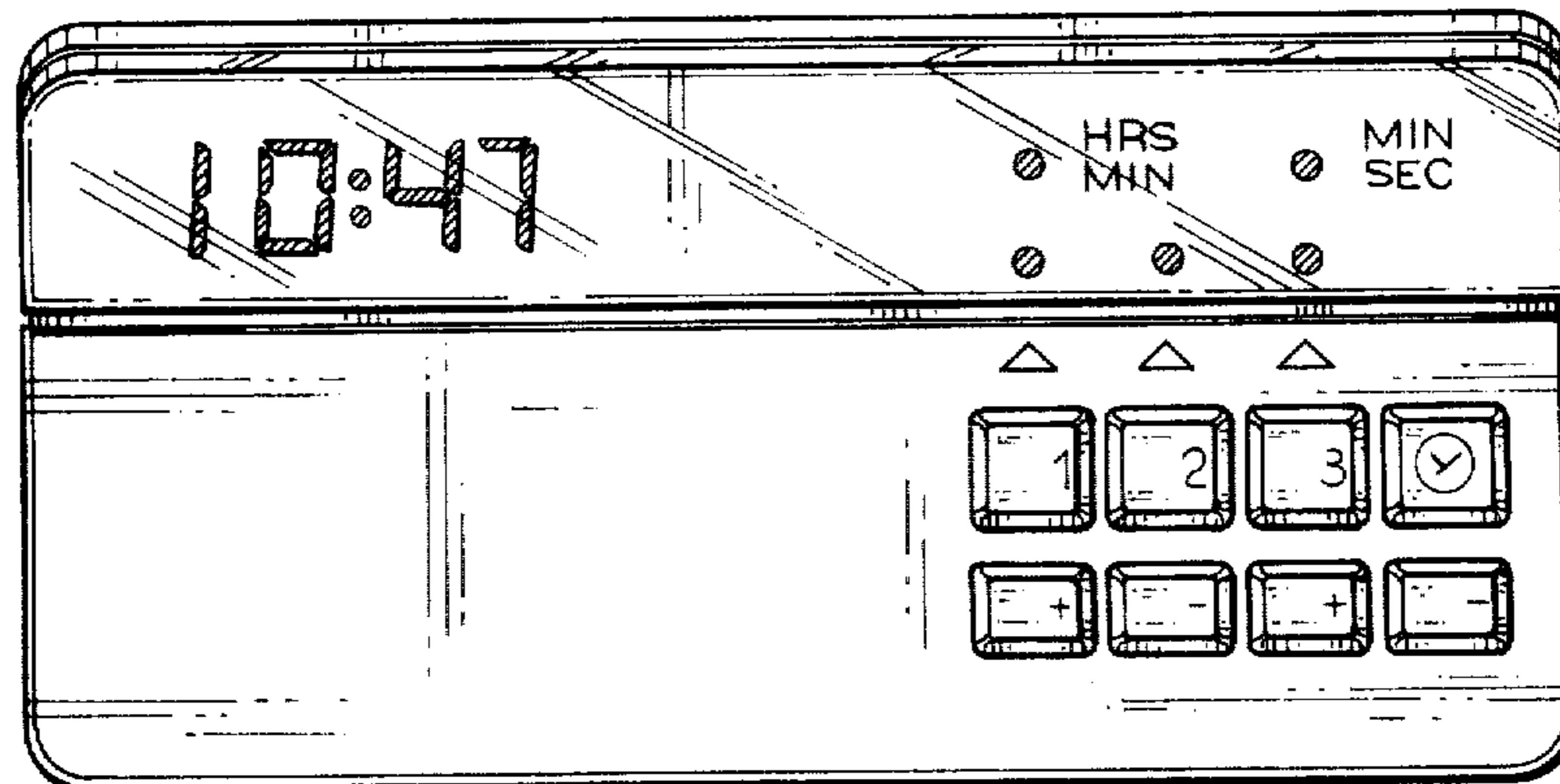


FIG. 3

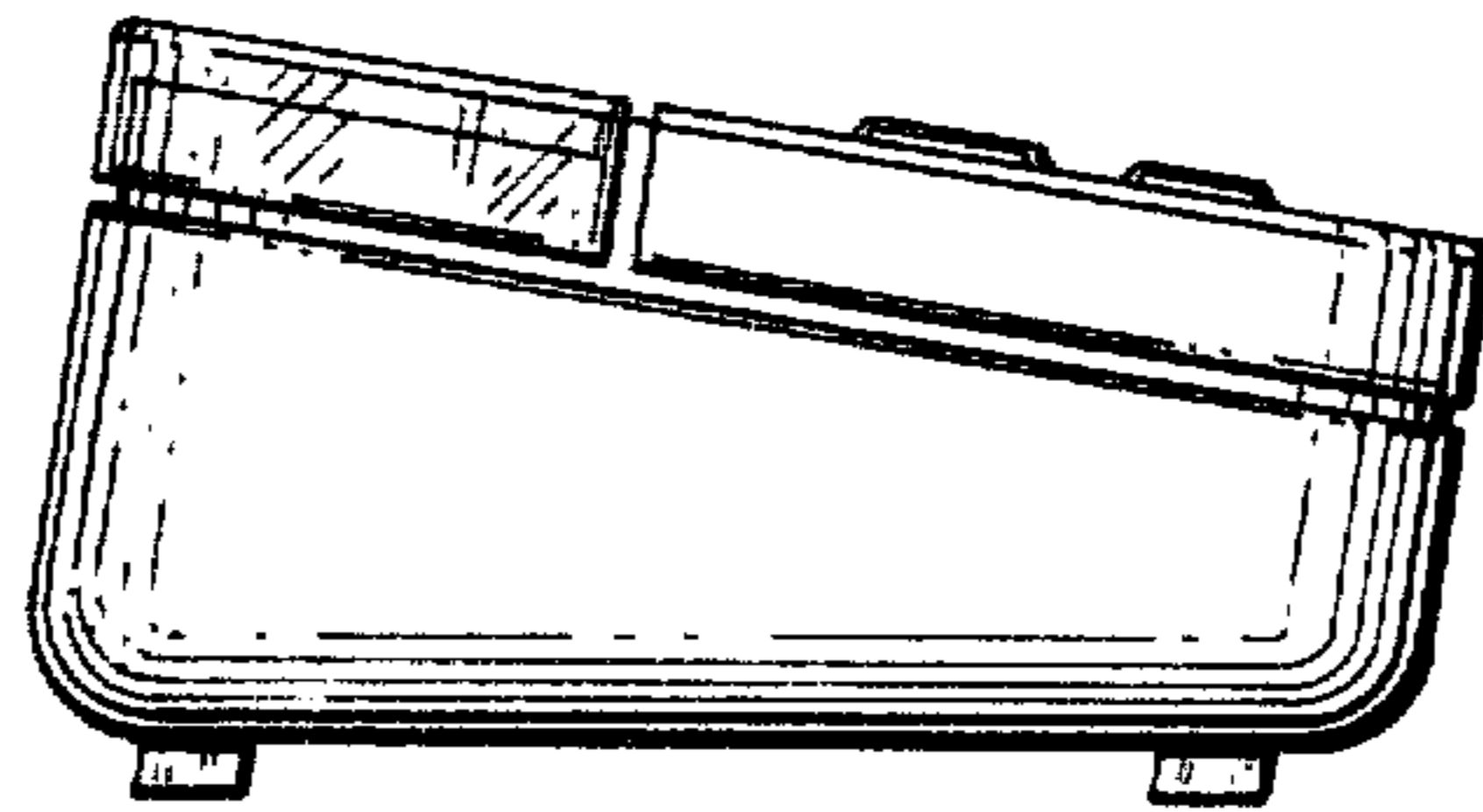


FIG. 4

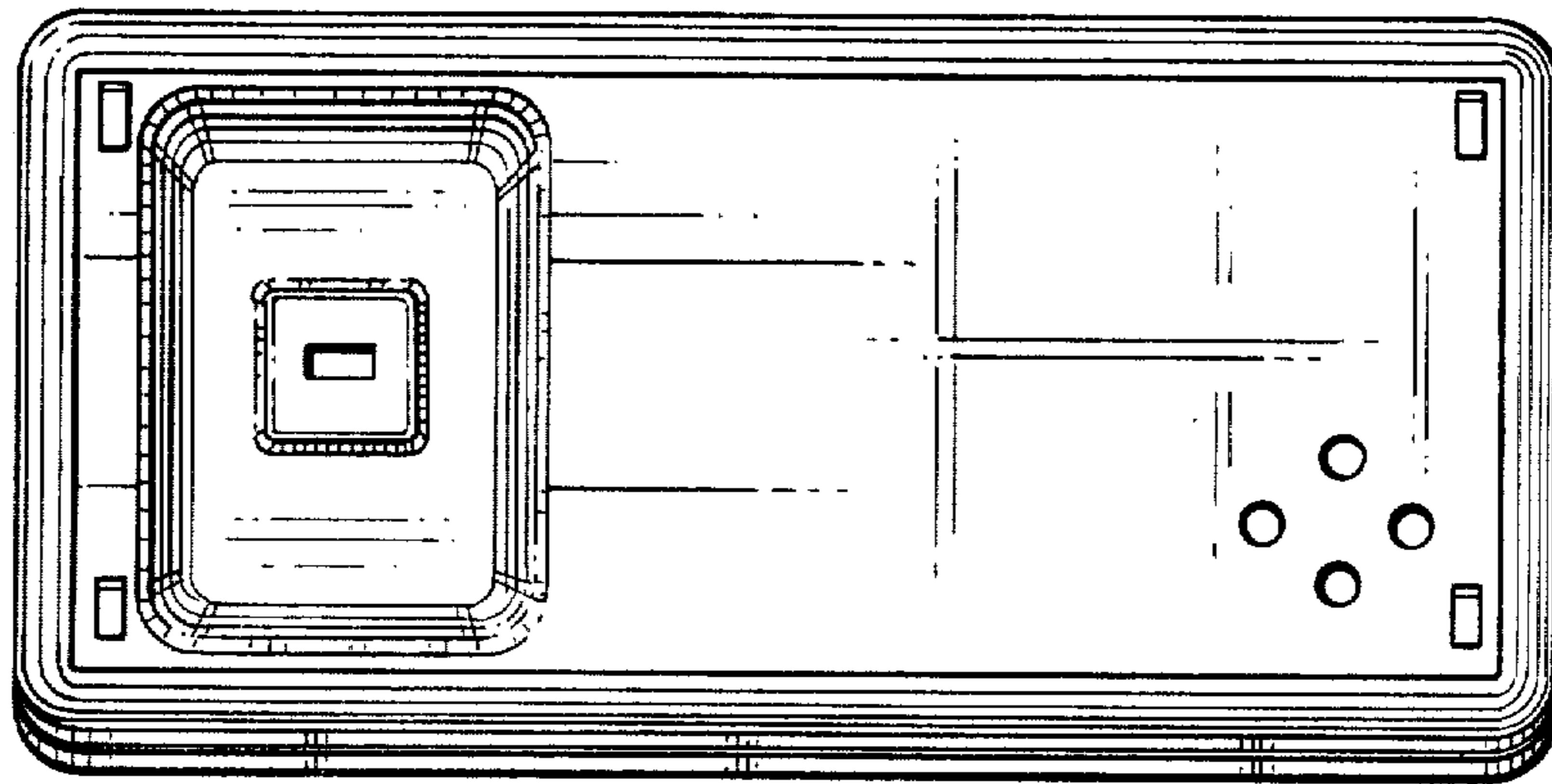


FIG. 5

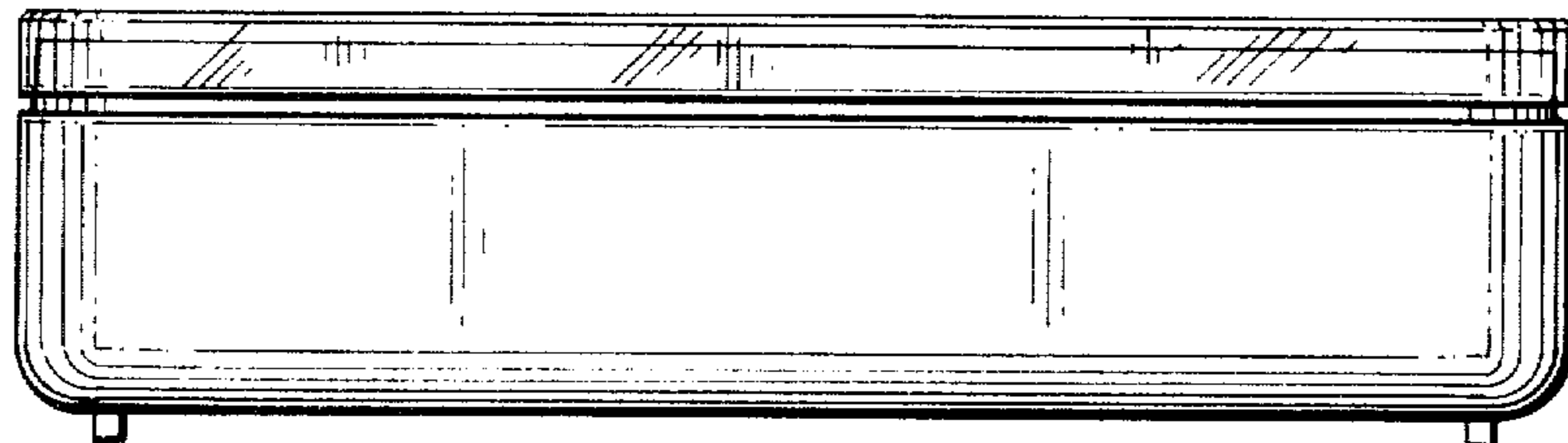


FIG. 6