

[54] **LOCK WASHER**

[76] Inventor: **Bengt O. Frieberg**, 869 Picaacho, La Habra Heights, Calif. 90631

[**] Term: **14 Years**

[21] Appl. No.: **310,532**

[22] Filed: **Oct. 13, 1981**

Related U.S. Application Data

[62] Division of Ser. No. 131,938, Mar. 21, 1980, Pat. No. Des. 263,792.

[51] Int. Cl. **D8-08**

[52] U.S. Cl. **D8/399**

[58] Field of Search **D8/394-399;**
D23/47; 411/145, 146, 371, 427, 428, 436, 437,
531, 533, 537, 538, 542, 545-547

[56] **References Cited**

U.S. PATENT DOCUMENTS

D. 26,801	3/1897	Spear	D8/399
D. 32,218	2/1900	Doughtery	D23/47
797,925	8/1905	Thomas	411/531
920,947	5/1909	Gilmore	411/145

Primary Examiner—**B. J. Bullock**

Attorney, Agent, or Firm—**Francis X. LoJacono**

[57] **CLAIM**

The ornamental design for a lock washer, as shown.

DESCRIPTION

FIG. 1 is a top perspective view of a lock washer, showing my new design;

FIG. 2 is a top-plan view thereof;

FIG. 3 is a side-elevational view thereof;

FIG. 4 is a bottom-plan view thereof; and

FIG. 5 is a reduced bottom perspective view thereof.

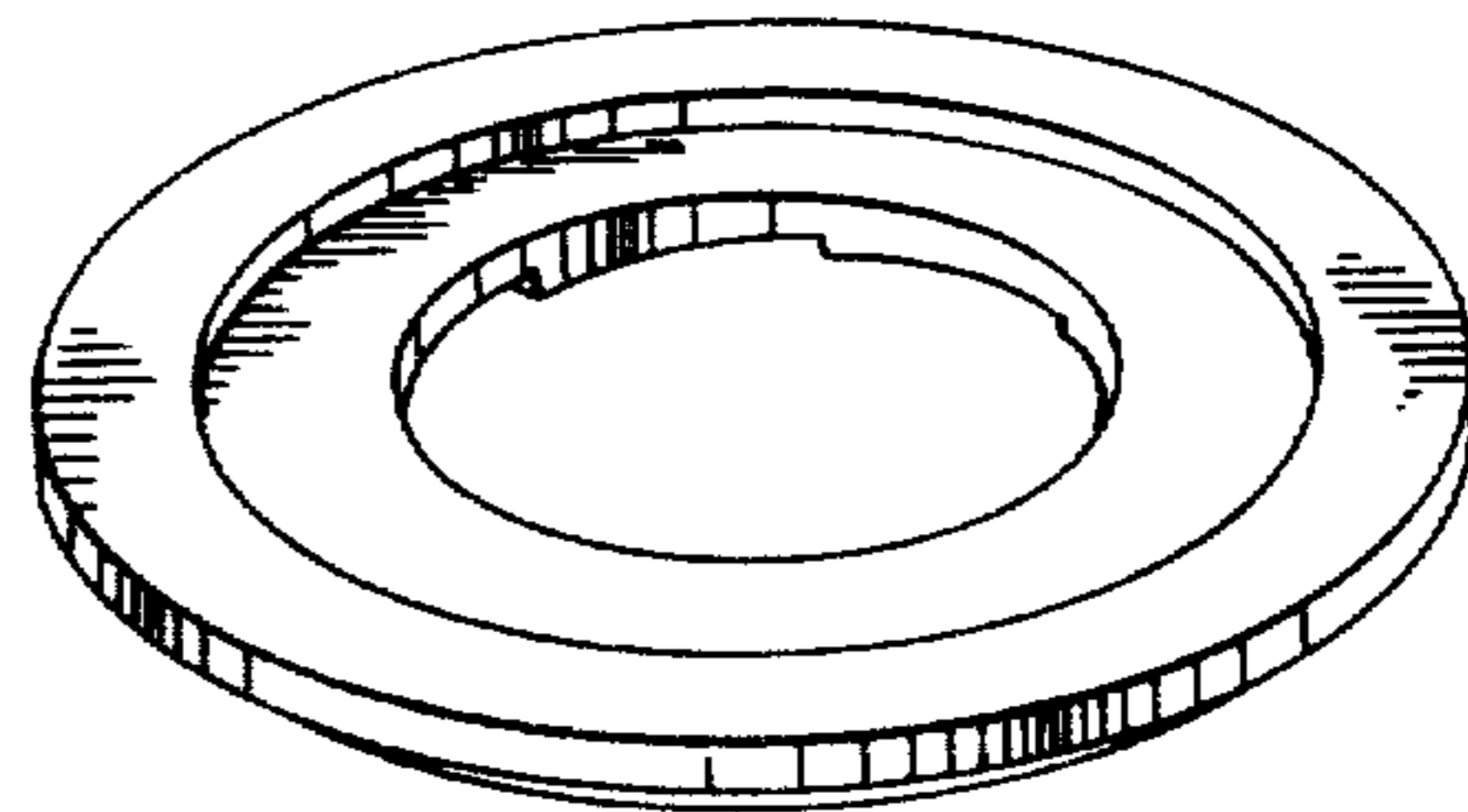
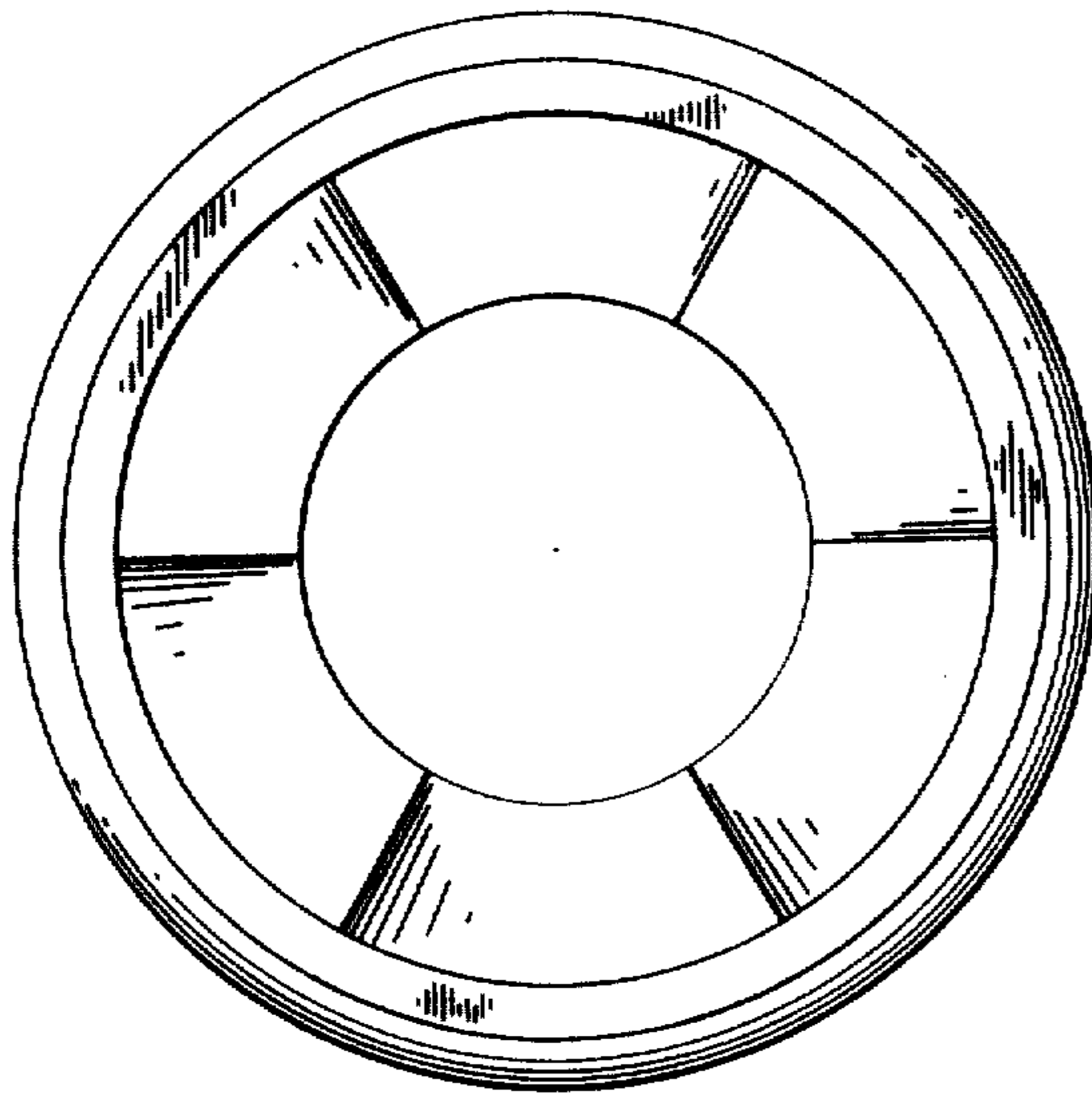


FIG. 1

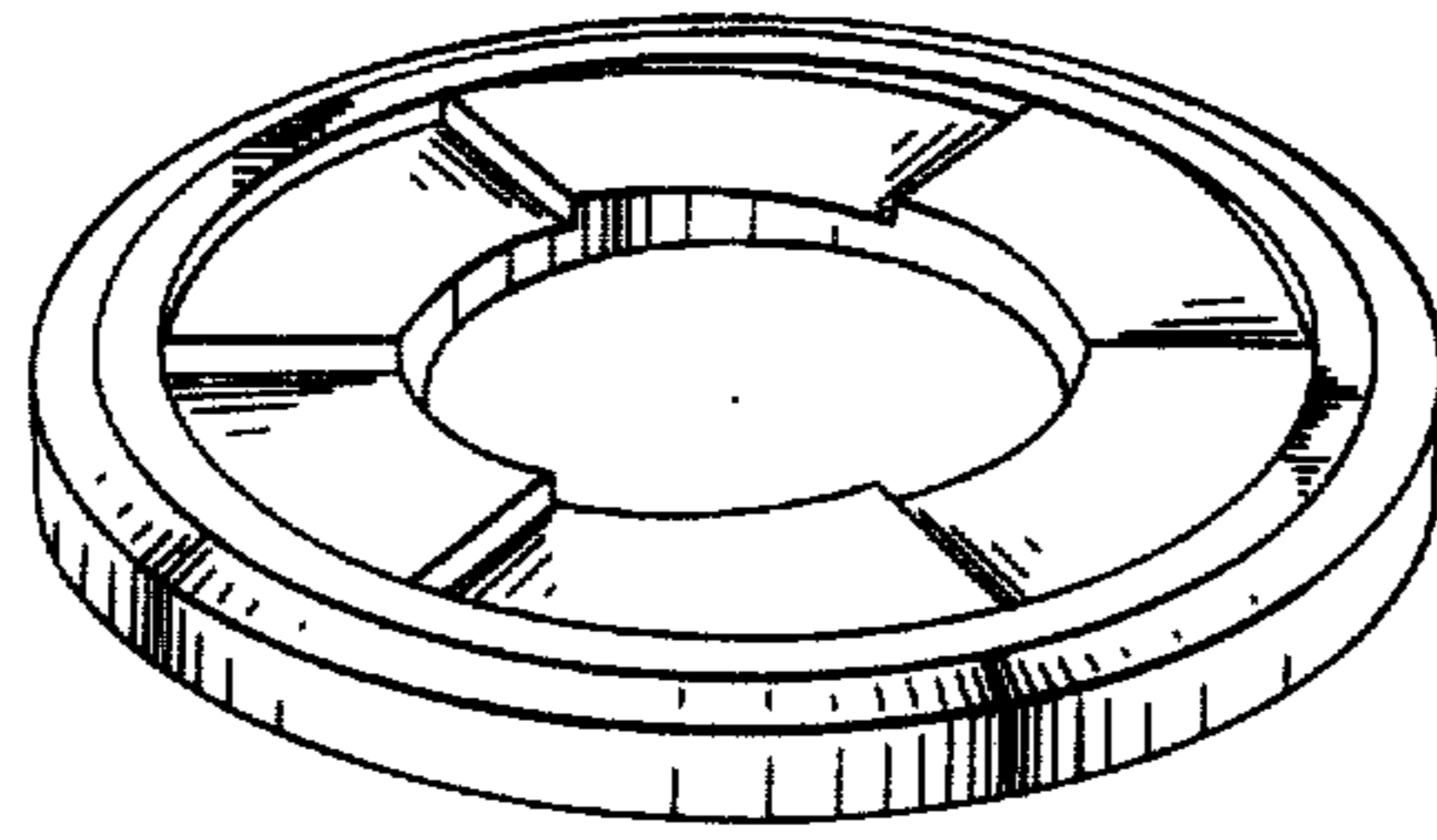


FIG. 2

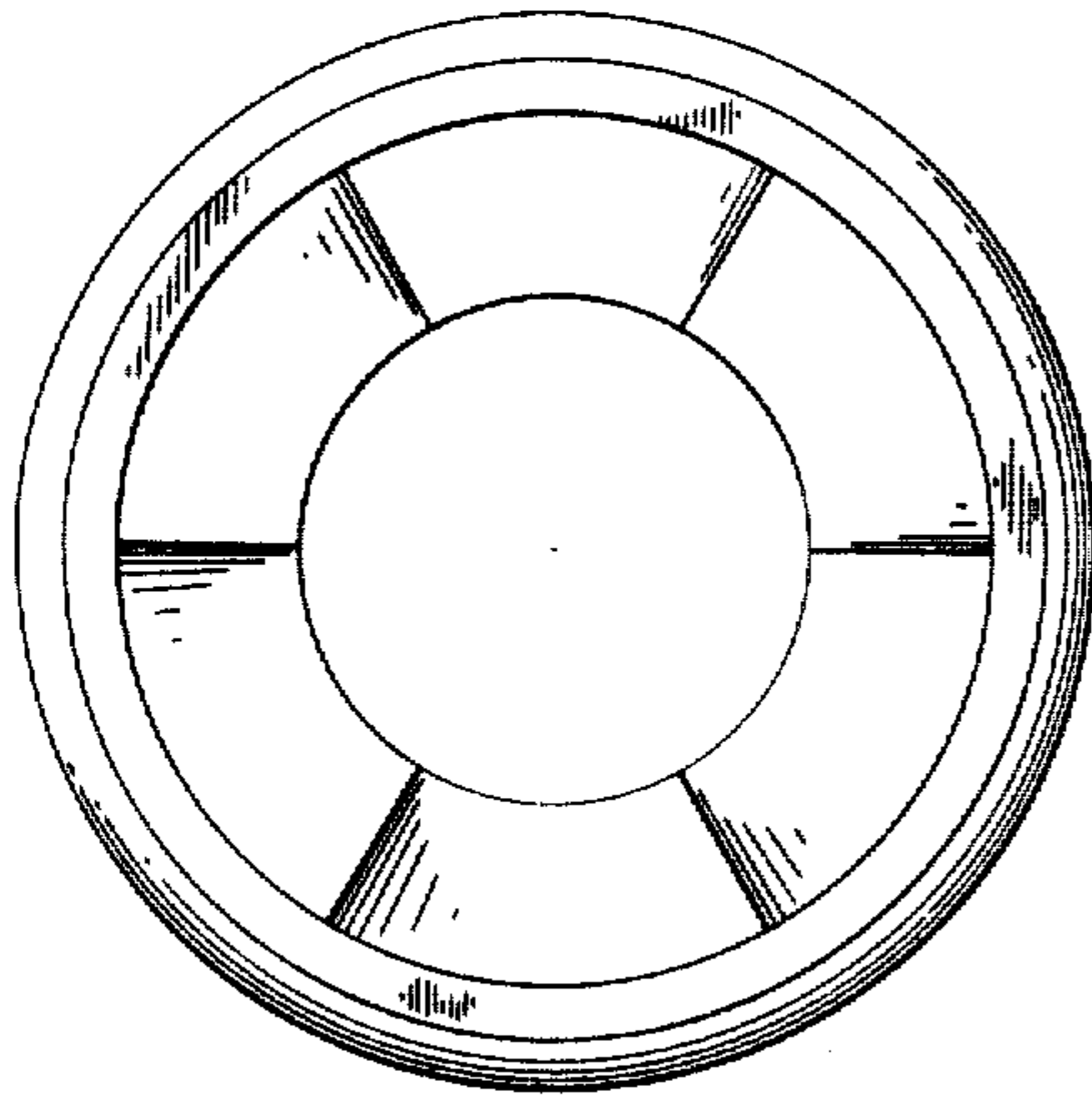


FIG. 3

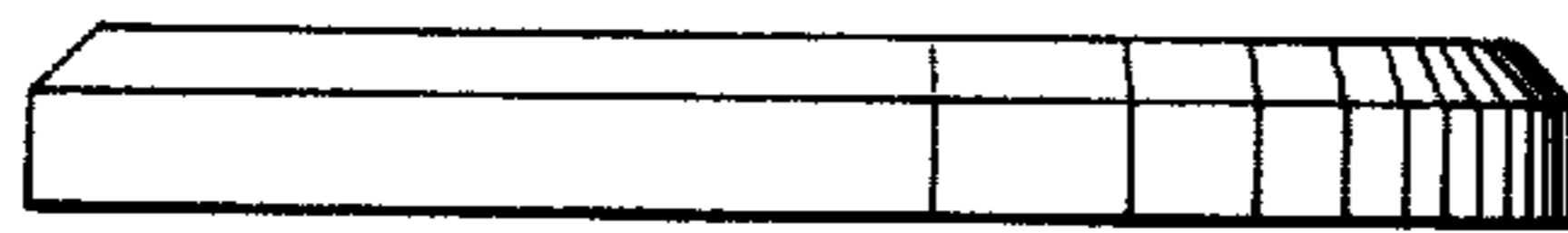


FIG. 5

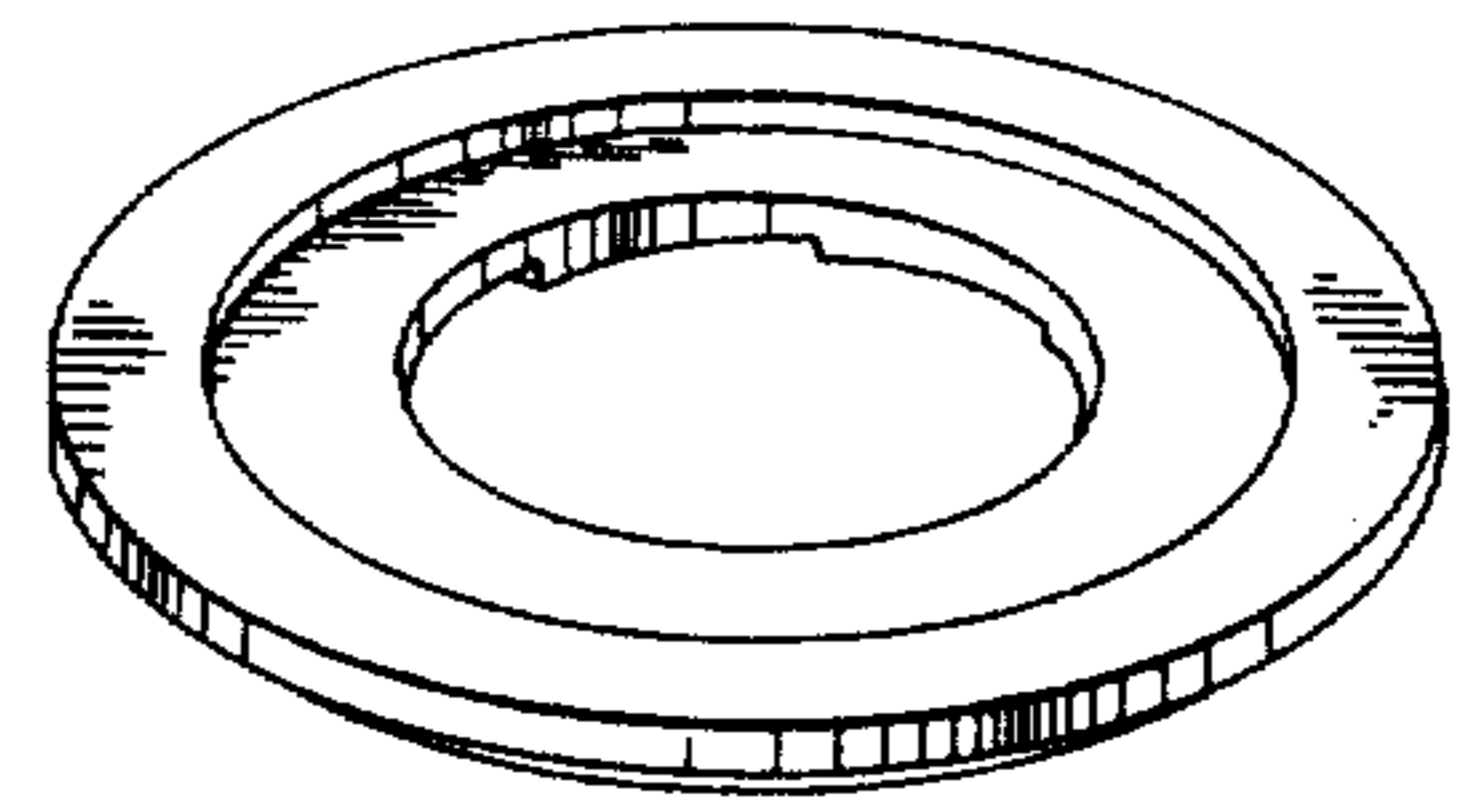


FIG. 4

