

[54] **HANDLE FOR A SAW BLADE**

[75] **Inventor:** Laird F. Covey, Easton, Conn.

[73] **Assignee:** The Stanley Works, New Britain, Conn.

[**] **Term:** 14 Years

[21] **Appl. No.:** 186,676

[22] **Filed:** Sep. 12, 1980

[51] **Int. Cl.** D8—03

[52] **U.S. Cl.** D8/97; D8/95

[58] **Field of Search** D8/95, 96, 97;
145/31 R, 35 E, 108 R

[56] **References Cited**
U.S. PATENT DOCUMENTS

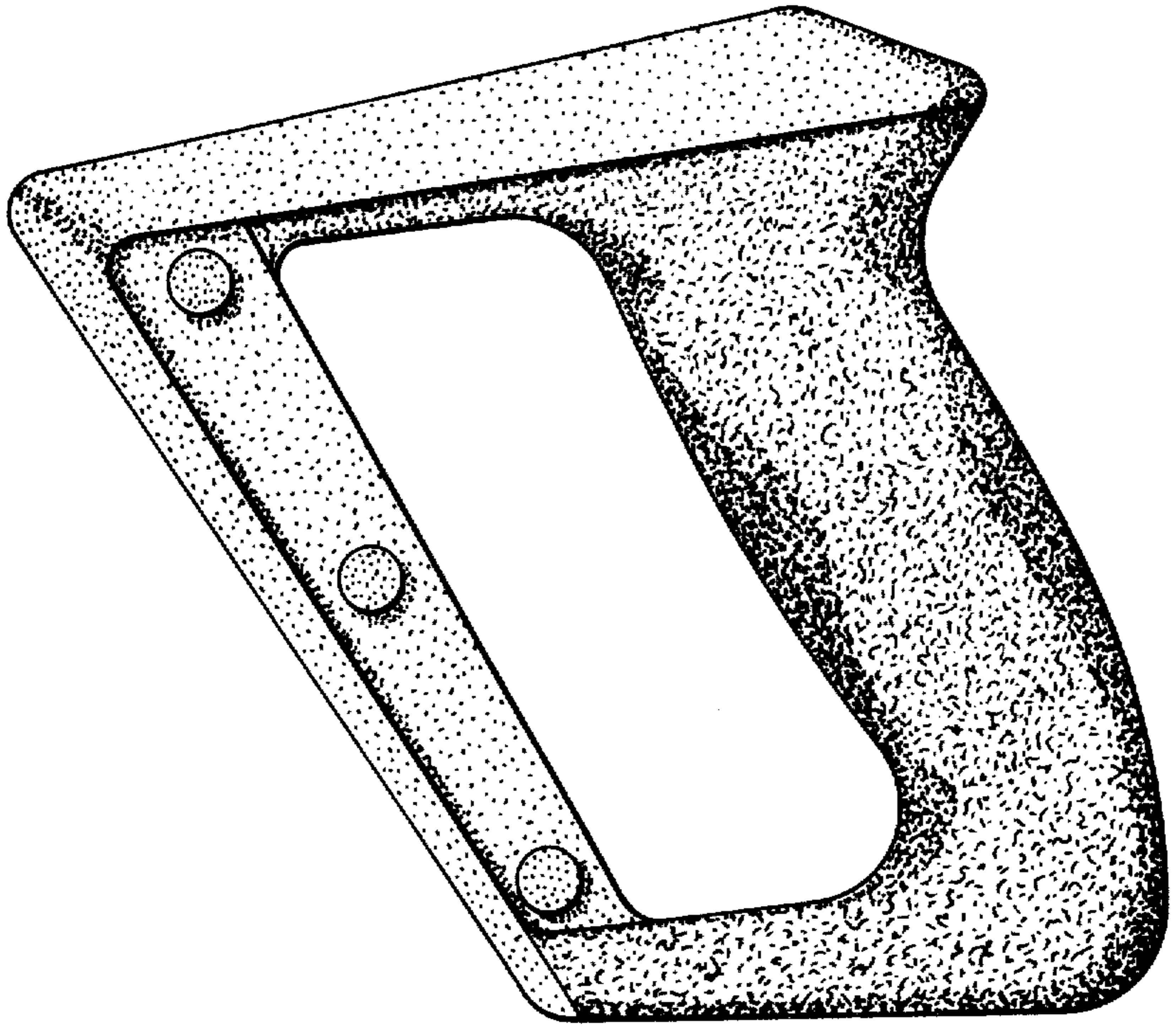
D. 234,906	4/1975	Breger	D8/95
D. 260,072	8/1981	Covey	D8/97
2,727,545	12/1955	Dawson	145/31 R

Primary Examiner—Alan P. Douglas

[57] **CLAIM**
The ornamental design for a handle for a saw blade, as shown and described.

DESCRIPTION

FIG. 1 is a side elevational view of a handle for a saw blade incorporating my new design with the saw blade illustrated in phantom line for illustrative purposes only; FIG. 2 is a side elevational view of the handle of my new design and drawn to an enlarged scale; FIG. 3 is a bottom view thereof; FIG. 4 is a top view thereof; FIG. 5 is a front elevational view thereof; and FIG. 6 is a rear elevational view thereof.



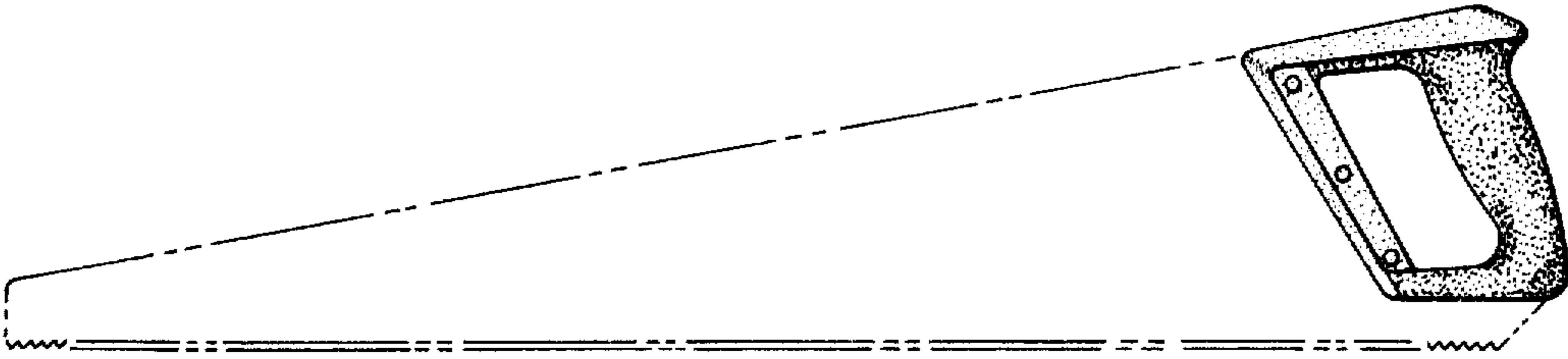


FIG. 1

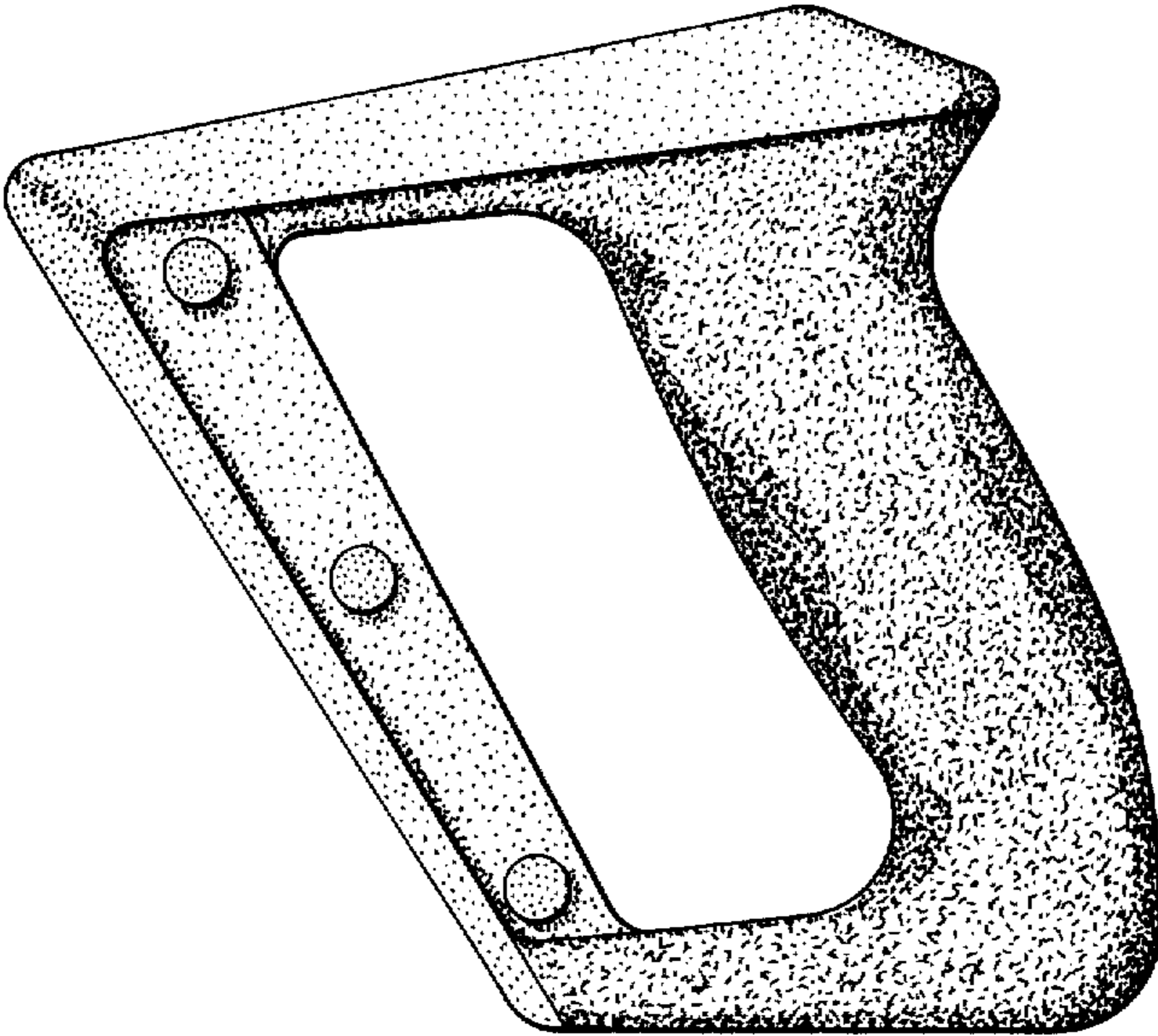


FIG. 2

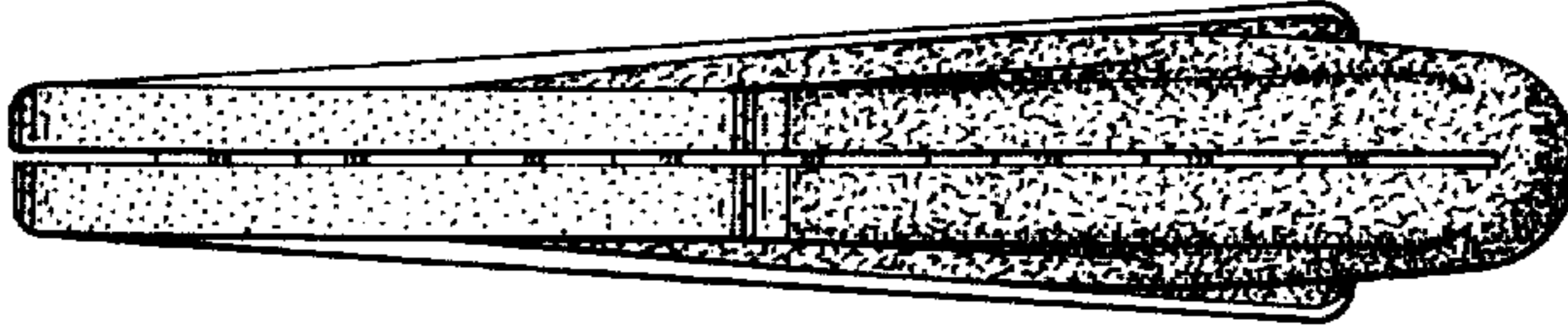


FIG. 3

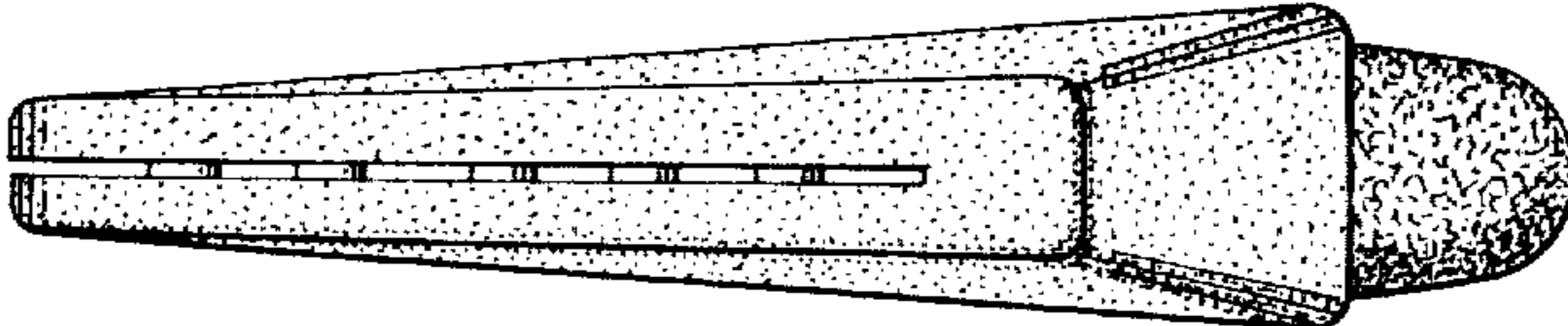


FIG. 4

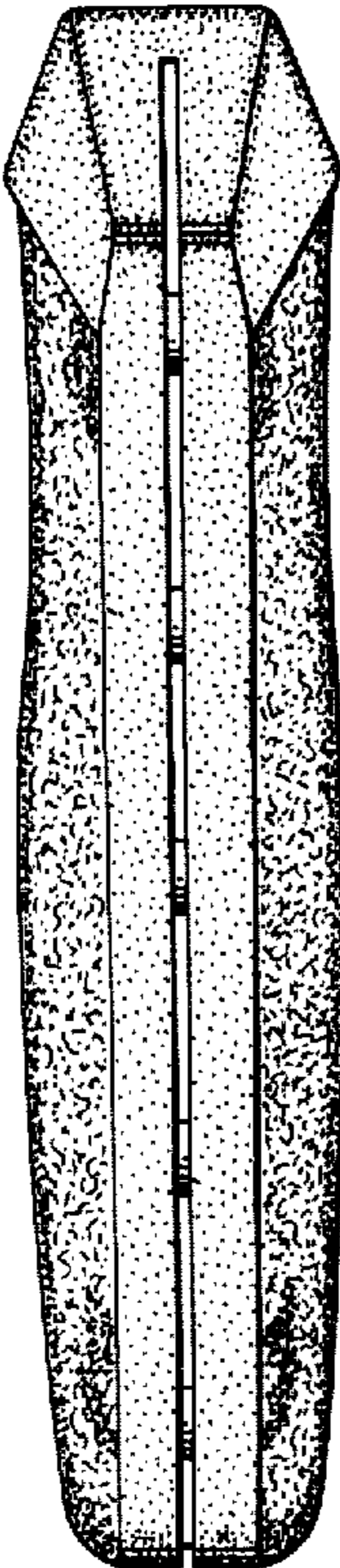


FIG. 5

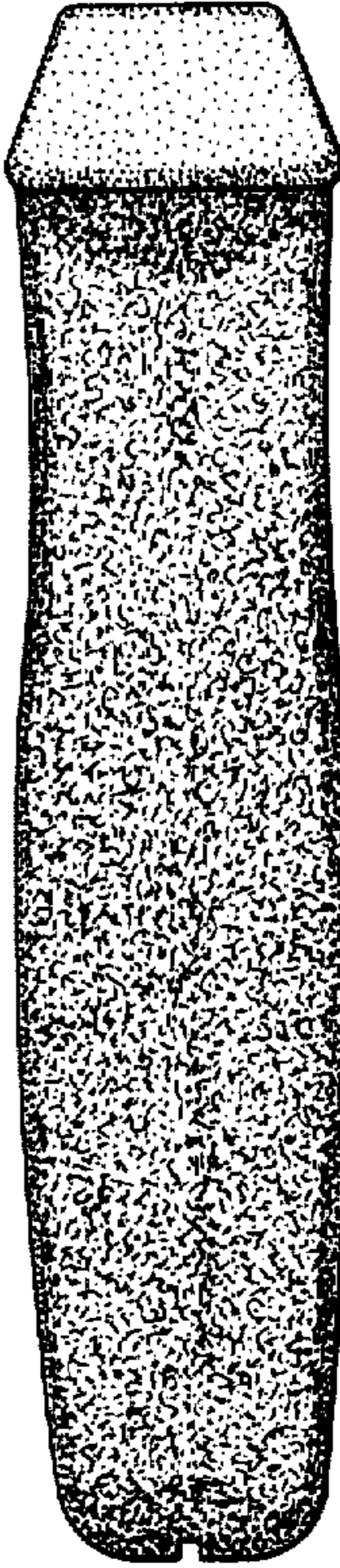


FIG. 6