

[54] **ABRADING TOOL**  
 [75] **Inventor:** Alma A. Hutchins, Pasadena, Calif.  
 [73] **Assignee:** Hutchins Manufacturing Co., Pasadena, Calif.  
 [\*\*] **Term:** 14 Years  
 [21] **Appl. No.:** 199,452  
 [22] **Filed:** Oct. 22, 1980  
 [51] **Int. Cl.** ..... D8-05  
 [52] **U.S. Cl.** ..... D8/62; D8/61  
 [58] **Field of Search** ..... 51/170 T, 273; D8/61, D8/62; 15/22, 23, 24, 28

3,084,364 4/1963 Hutchins ..... 15/97  
 3,496,680 2/1970 Hutchins ..... 51/170 T  
 3,824,745 7/1974 Hutchins ..... 51/170 T  
 4,145,848 3/1979 Hutchins ..... 51/170 T

**OTHER PUBLICATIONS**

A. A. Hutchins, High Performance Pneumatic Finishing Sander, 1976, p. 5, Multi-Action Sander, Mark 6.

*Primary Examiner*—Bernard Ansher  
*Attorney, Agent, or Firm*--William P. Green

[57] **CLAIM**

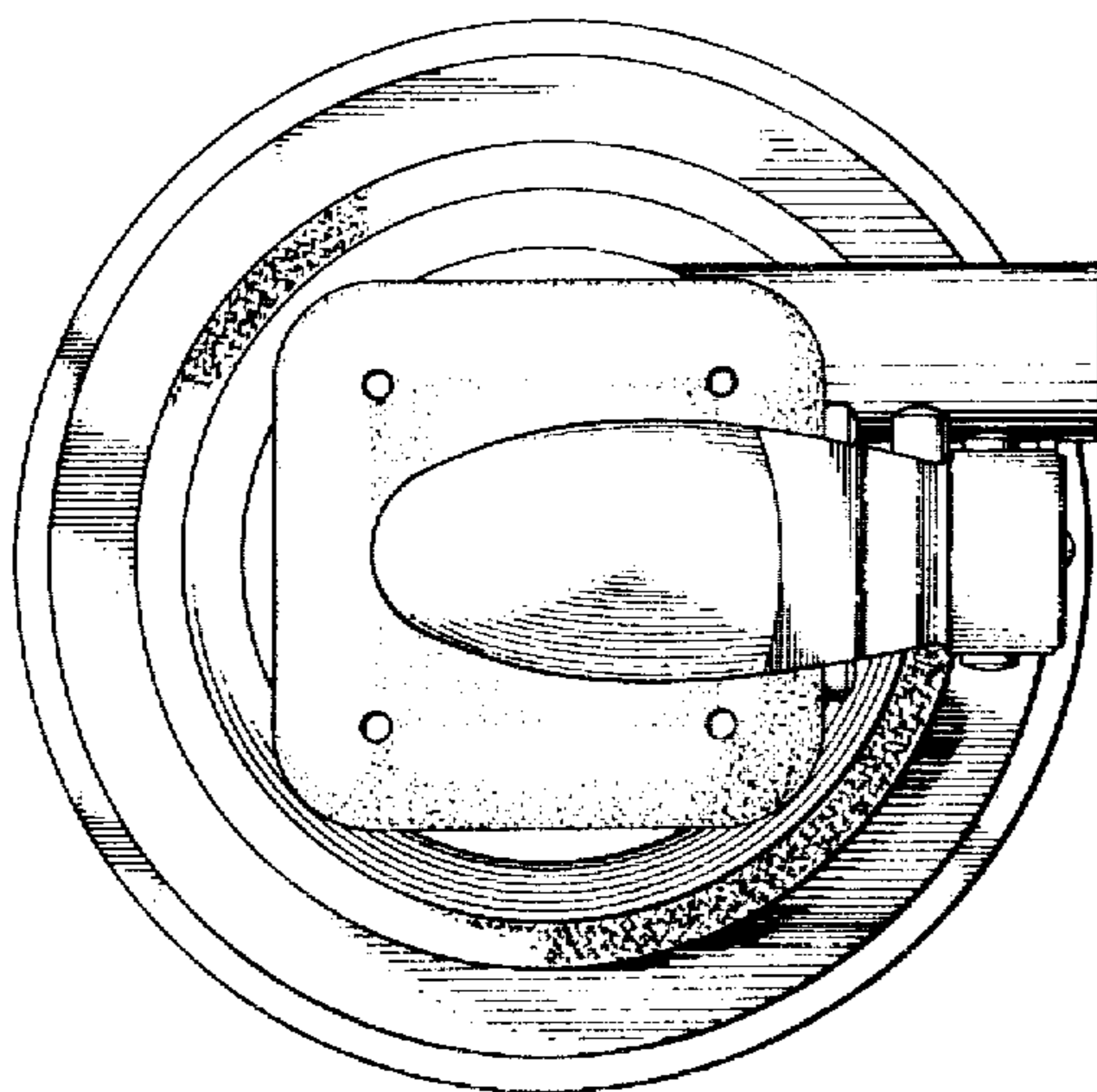
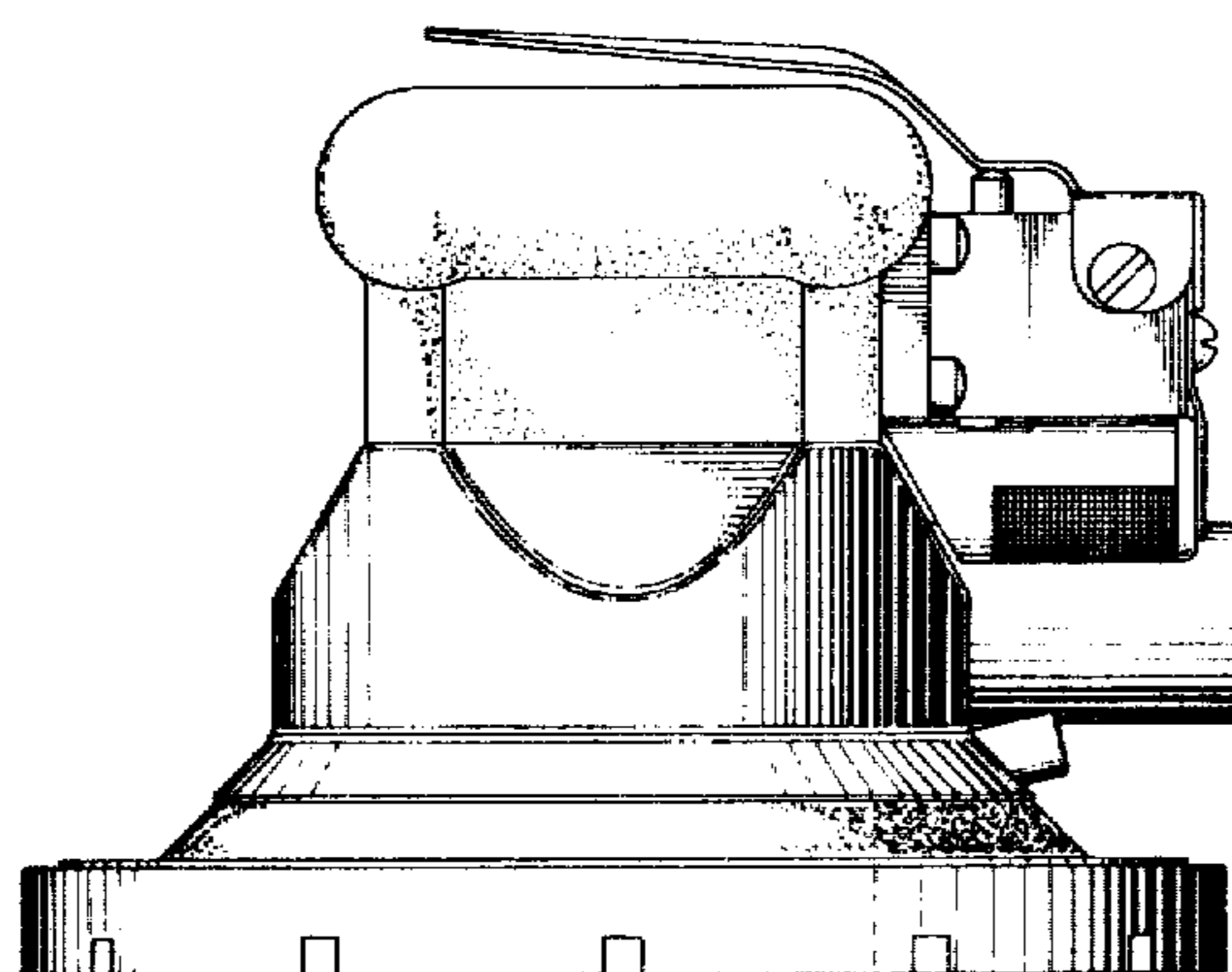
The ornamental design for an abrading tool, as shown.

**DESCRIPTION**

FIG. 1 is a right side elevational view of an abrading tool showing my new design;  
 FIG. 2 is a top plan view of the tool;  
 FIG. 3 is a left side elevational view of the tool;  
 FIG. 4 is a bottom plan view of the tool;  
 FIG. 5 is a rear elevational view of the tool; and  
 FIG. 6 is a front elevational view of the tool.

[56] **References Cited**  
**U.S. PATENT DOCUMENTS**

D. 142,452 9/1945 Vavrik ..... D8/61  
 D. 254,231 2/1980 Burglin et al. .... D8/62  
 D. 256,881 9/1980 Hutchins ..... D8/62  
 D. 262,185 12/1981 Huber ..... D8/62



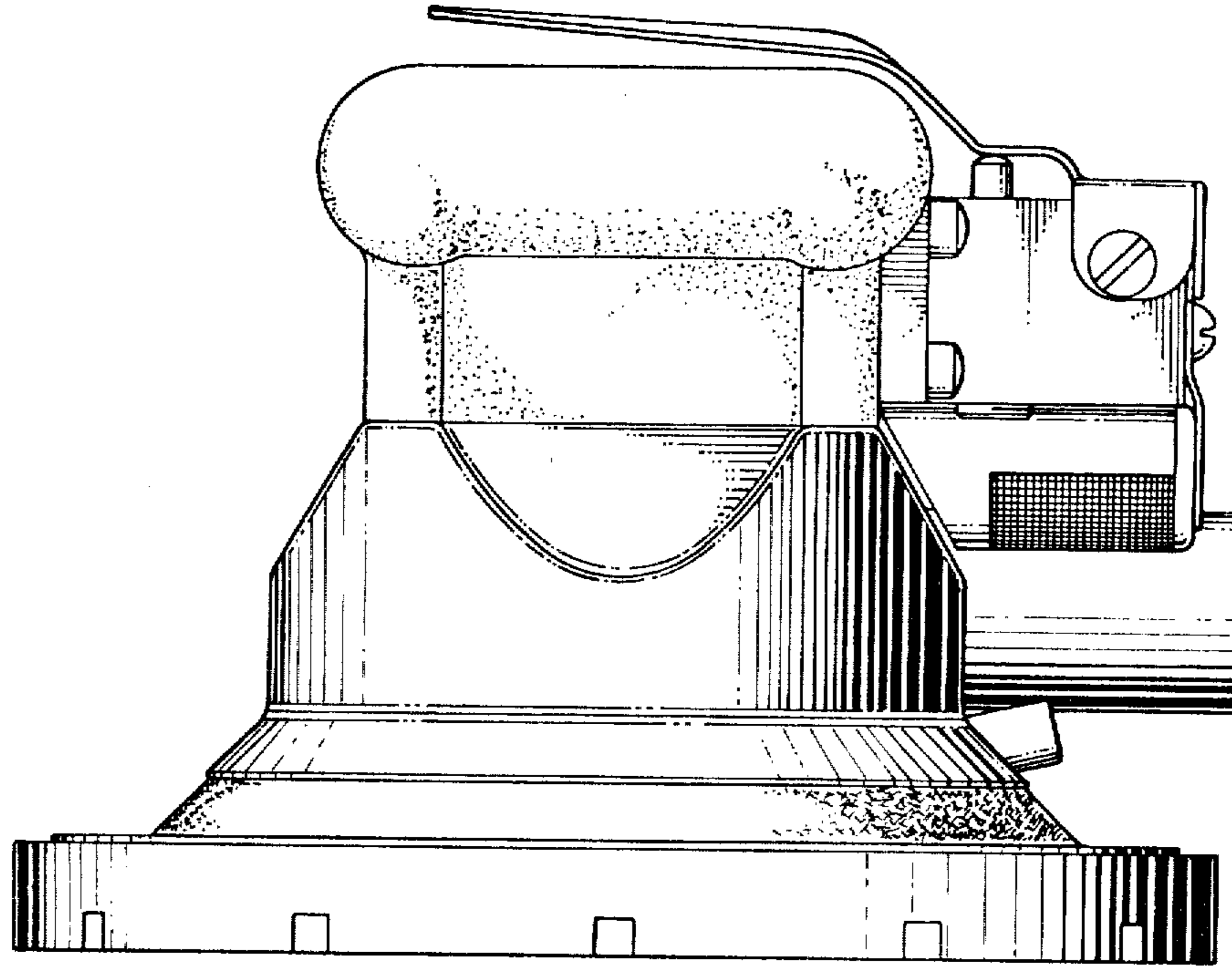


FIG. 1

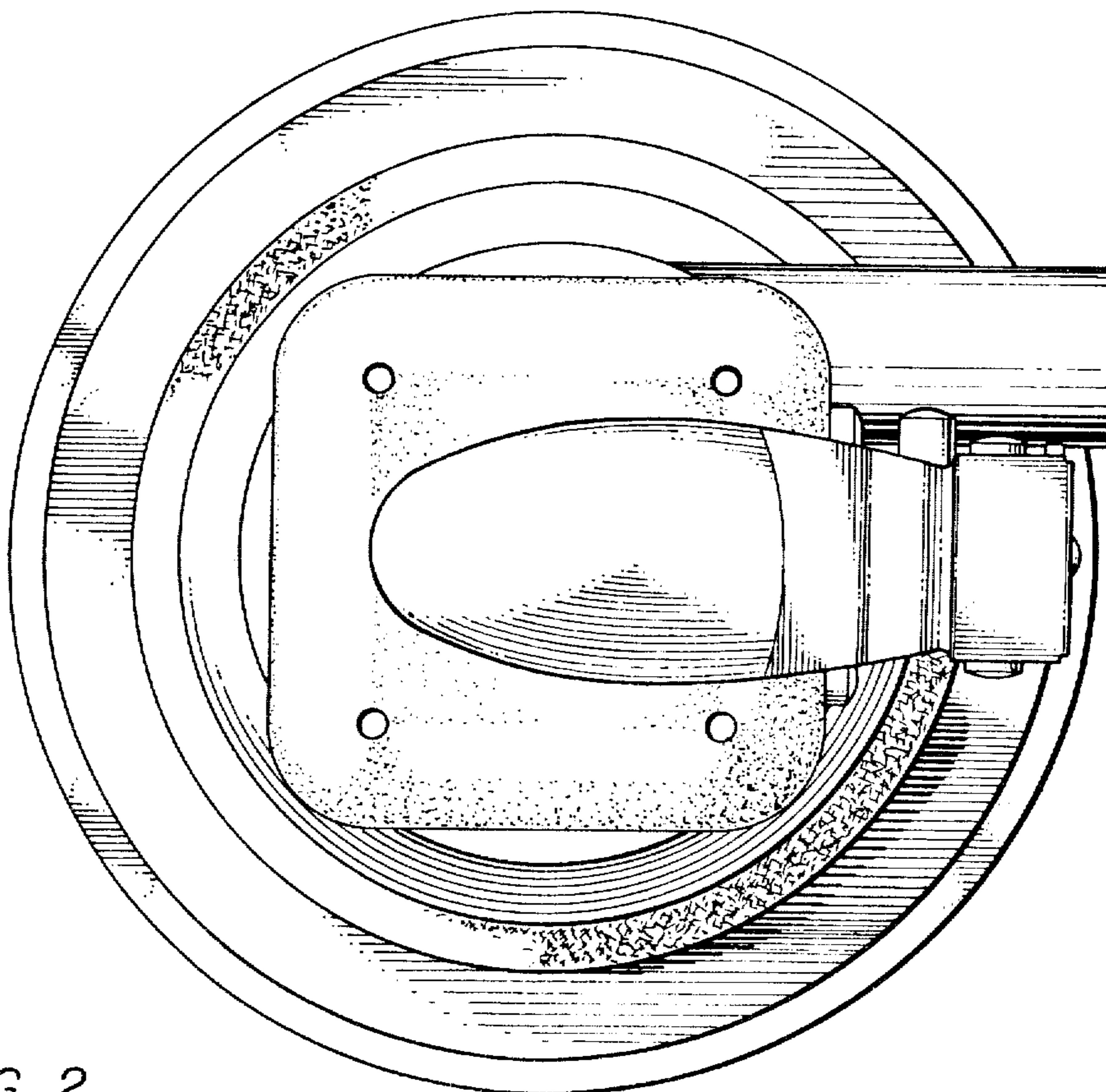


FIG. 2

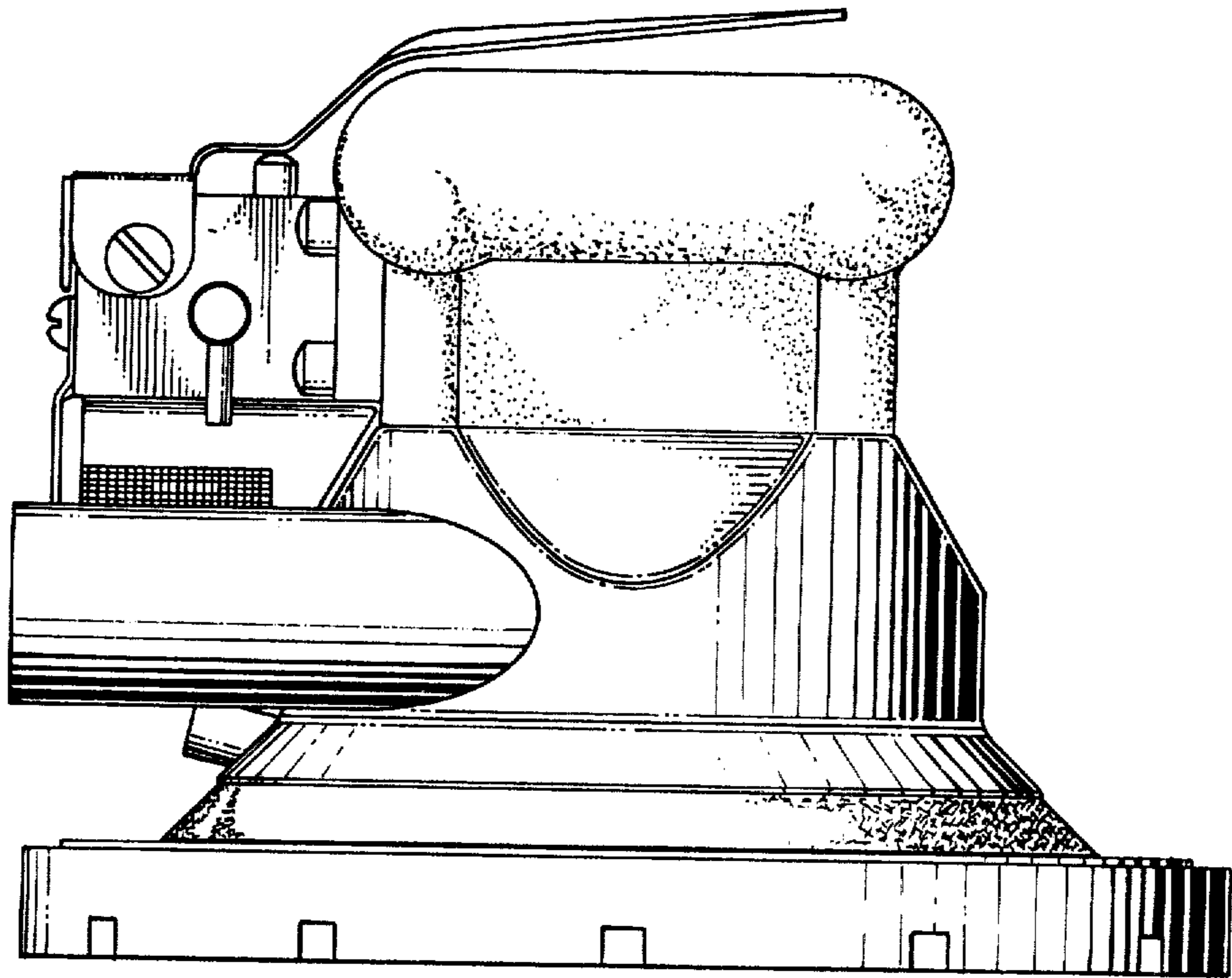


FIG. 3

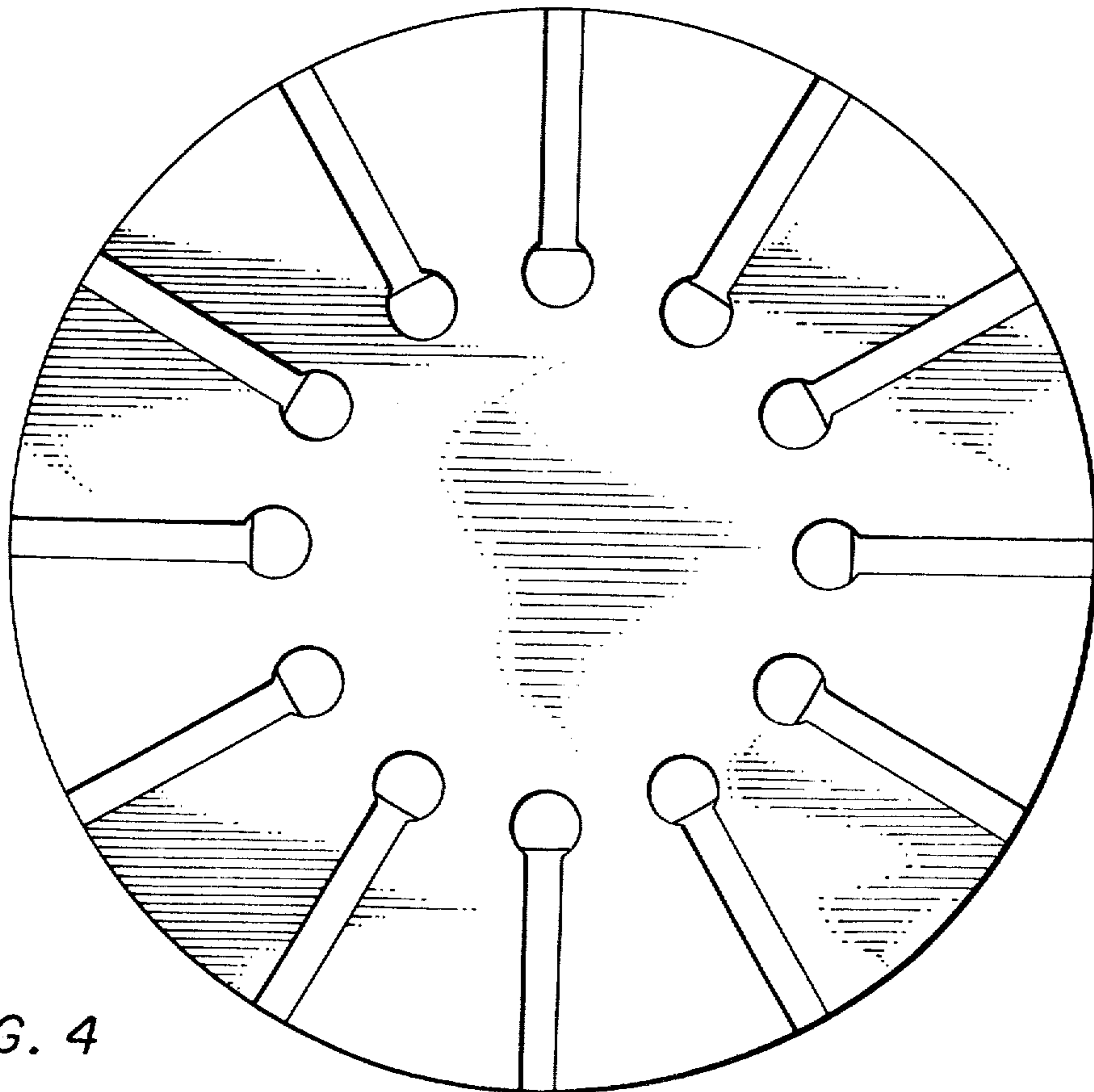


FIG. 4

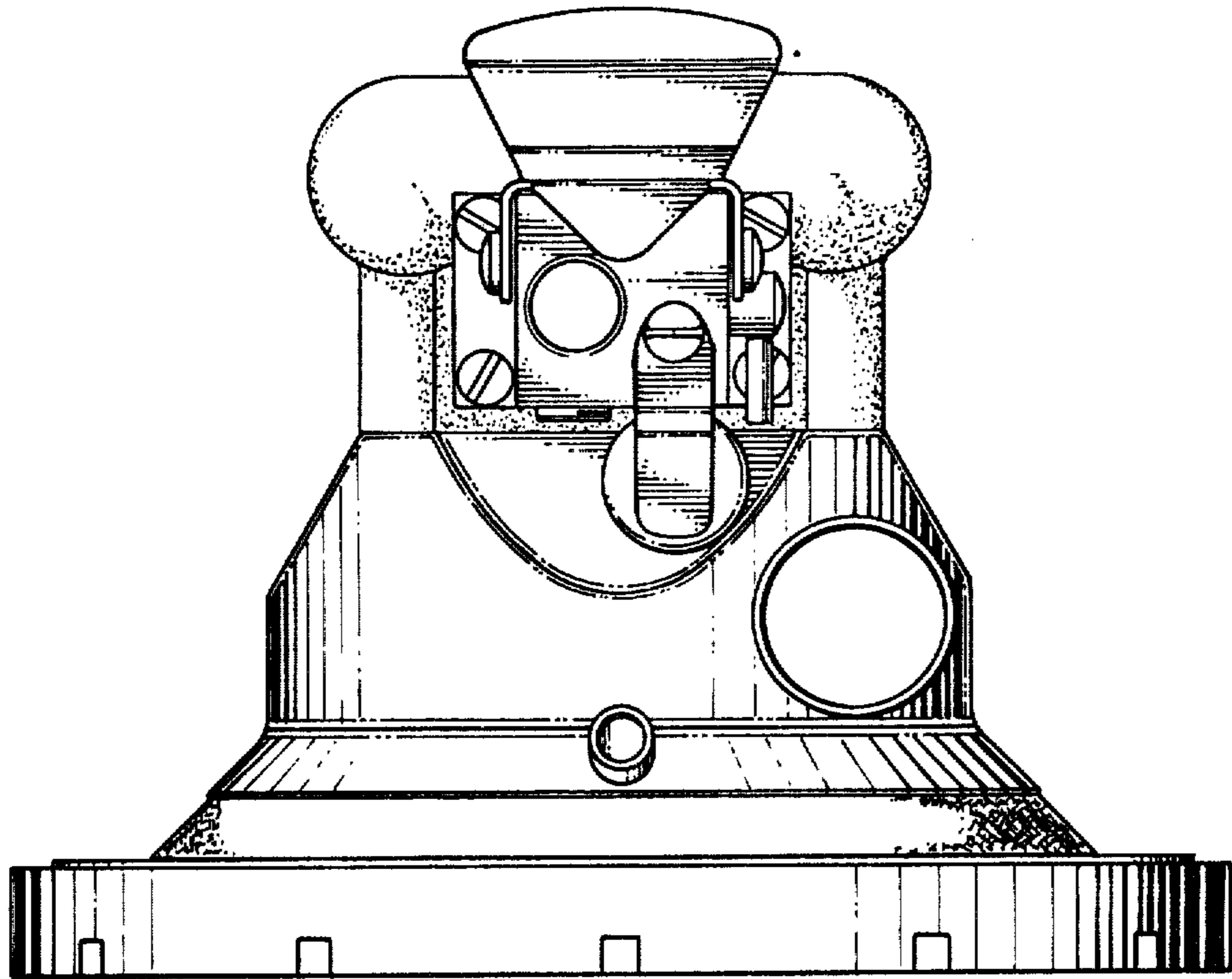


FIG. 5

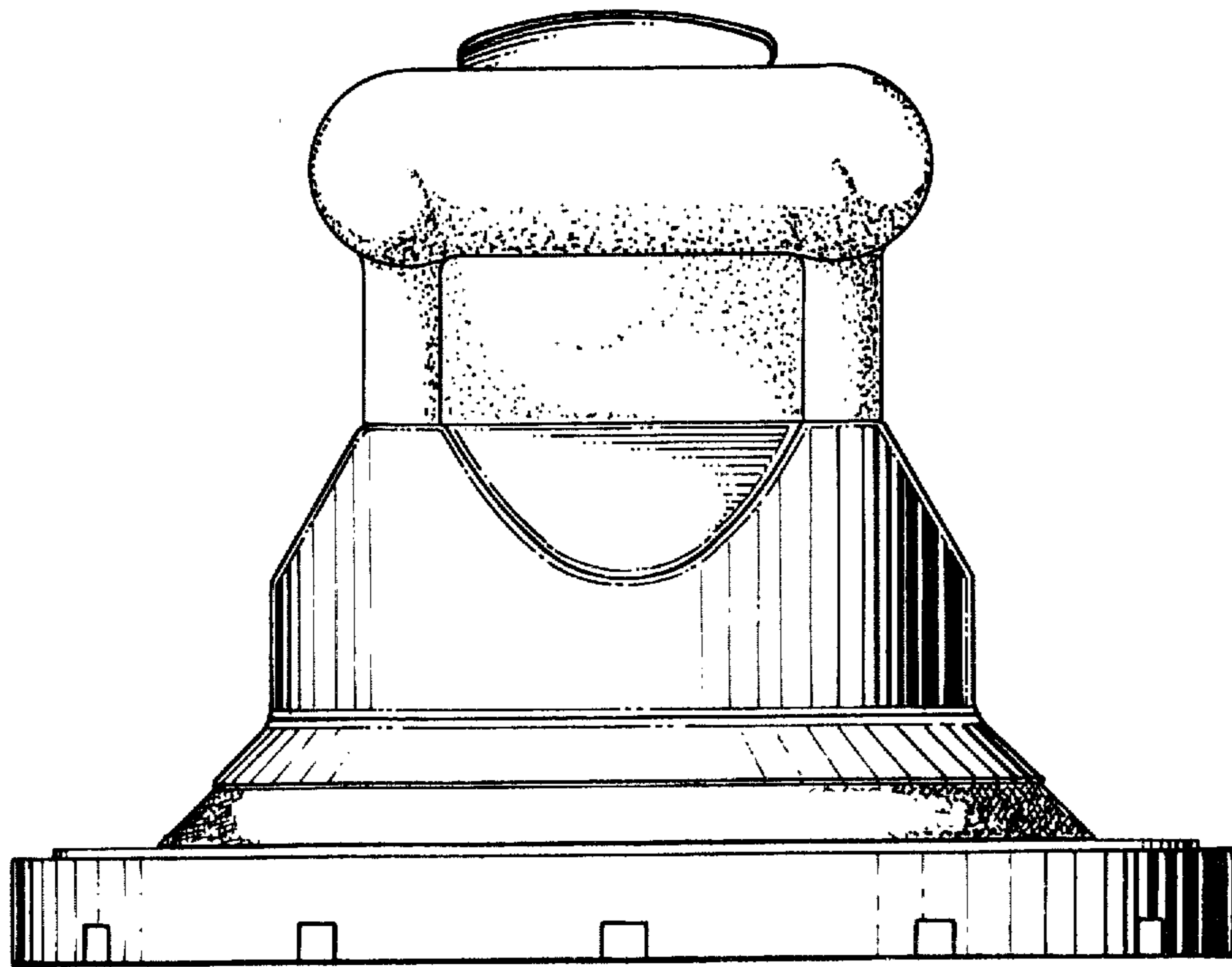


FIG. 6