

- [54] **TREE GUARD**
- [75] Inventor: **Robert E. Haggard**, Everett, Wash.
- [73] Assignee: **Merry Haggard**, Snohomish, Wash.
- [\*\*] Term: **14 Years**
- [21] Appl. No.: **416,109**
- [22] Filed: **Sep. 9, 1982**

- 796,741 8/1905 Lloyd ..... 47/23
- 801,325 10/1905 Lichtfeldt ..... 47/23

**FOREIGN PATENT DOCUMENTS**

- 13653 of 1912 United Kingdom ..... 47/23

**OTHER PUBLICATIONS**

Sweet's Catalog File, Section 2.30/NE, p. 292, Combined Tree Guard and Grate.

*Primary Examiner*—Bernard Ansher  
*Attorney, Agent, or Firm*—Ward Brown; Robert W. Beach

**Related U.S. Application Data**

- [62] Division of Ser. No. 158,937, Jun. 12, 1980.
- [51] Int. Cl. .... **D11—99**
- [52] U.S. Cl. .... **D8/01; D25/71; D25/87**
- [58] Field of Search ..... **D8/01; 47/23, 25; D25/71, 87**

[57] **CLAIM**

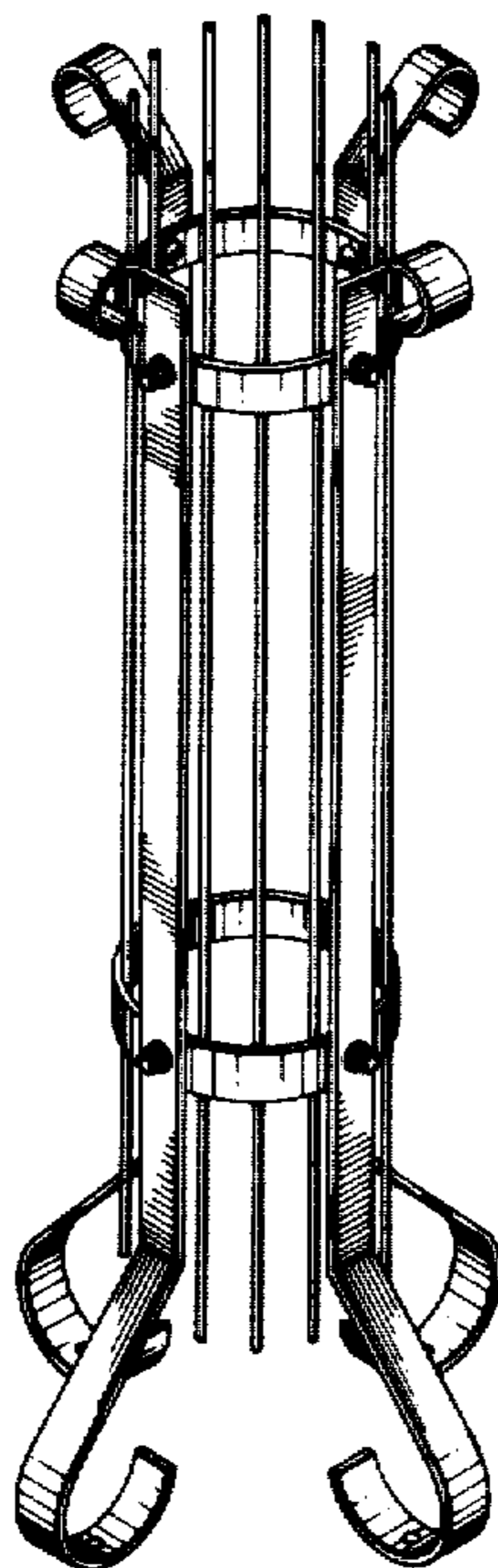
The ornamental design for a tree guard, substantially as shown and described.

**DESCRIPTION**

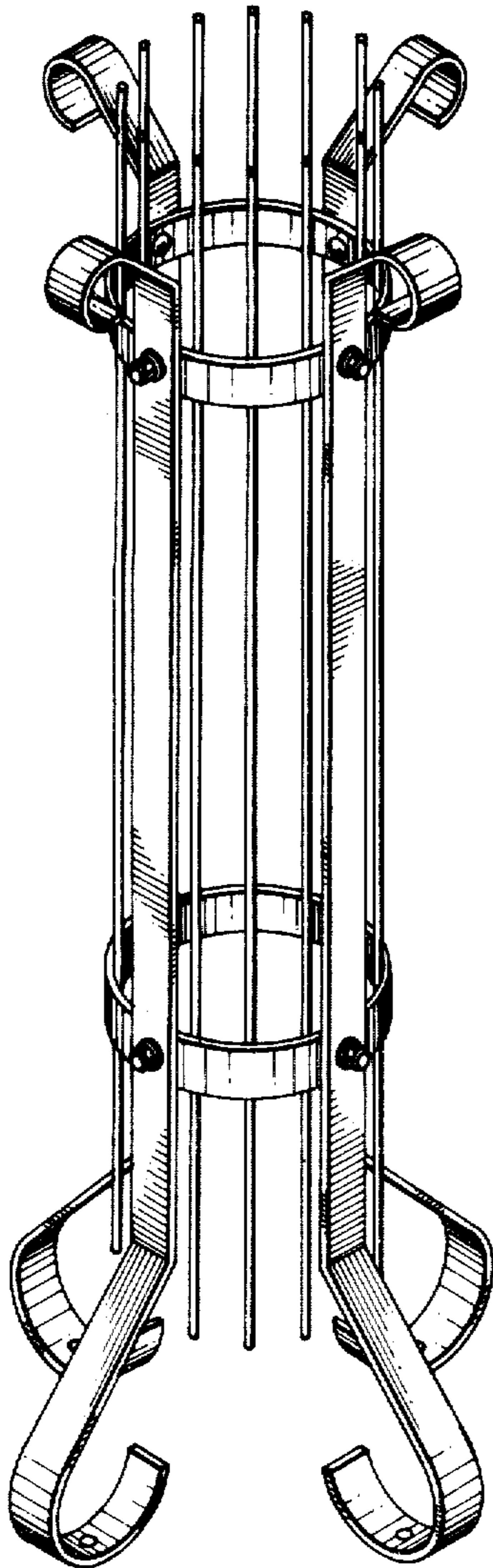
FIG. 1 is a top perspective view of a tree guard showing my new design;  
FIG. 2 is a front elevation thereof;  
FIG. 3 is an elevation thereof, taken at an angle of 45 degrees from FIG. 2;  
FIG. 4 is a top plan view thereof; and  
FIG. 5 is a bottom plan view thereof.

[56] **References Cited**  
**U.S. PATENT DOCUMENTS**

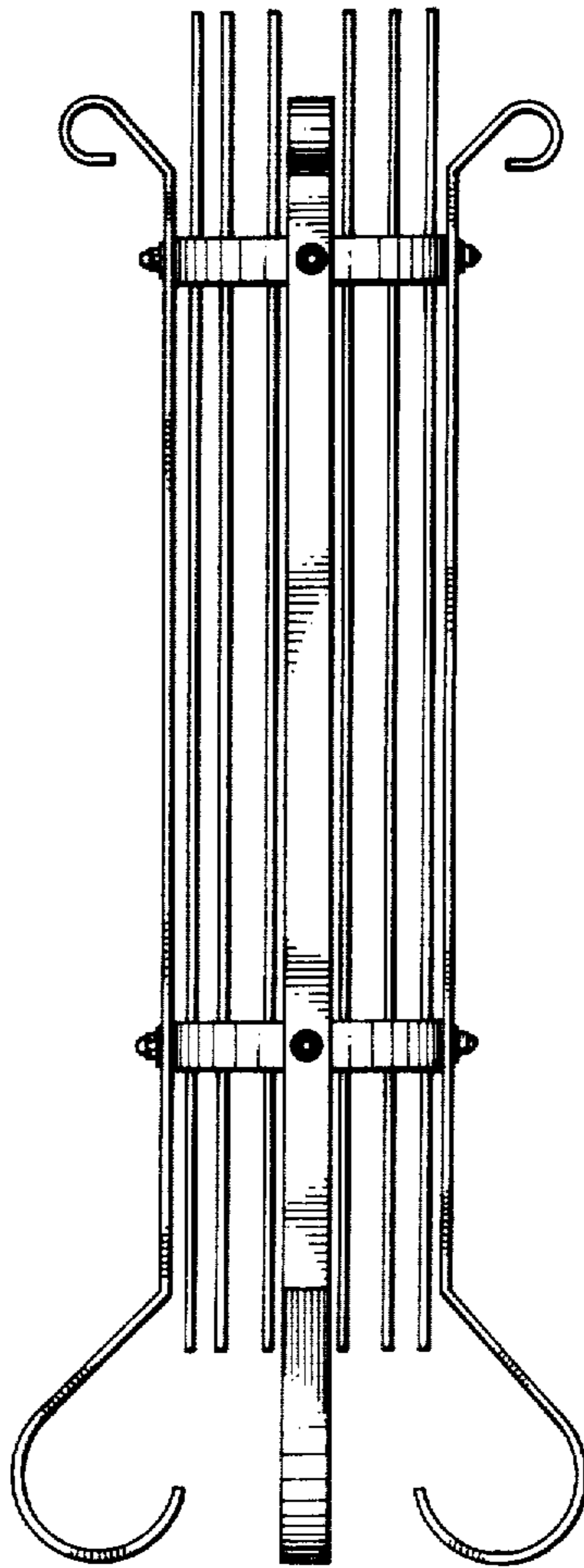
- 115,531 5/1871 Schwagel ..... 47/23
- D. 218,907 10/1970 Maxwell ..... D8/01
- 383,824 5/1888 Newell et al. .... 47/23



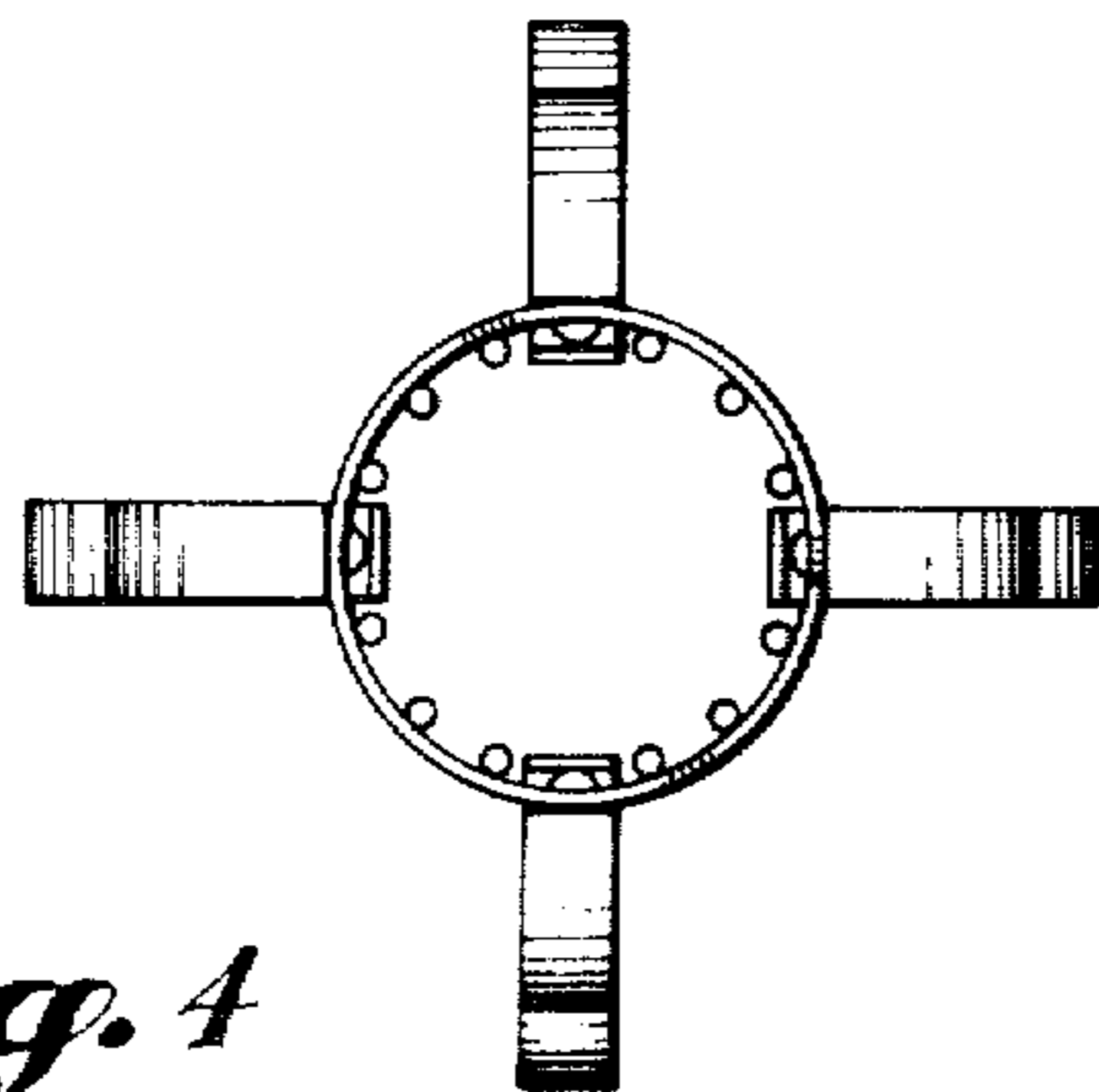
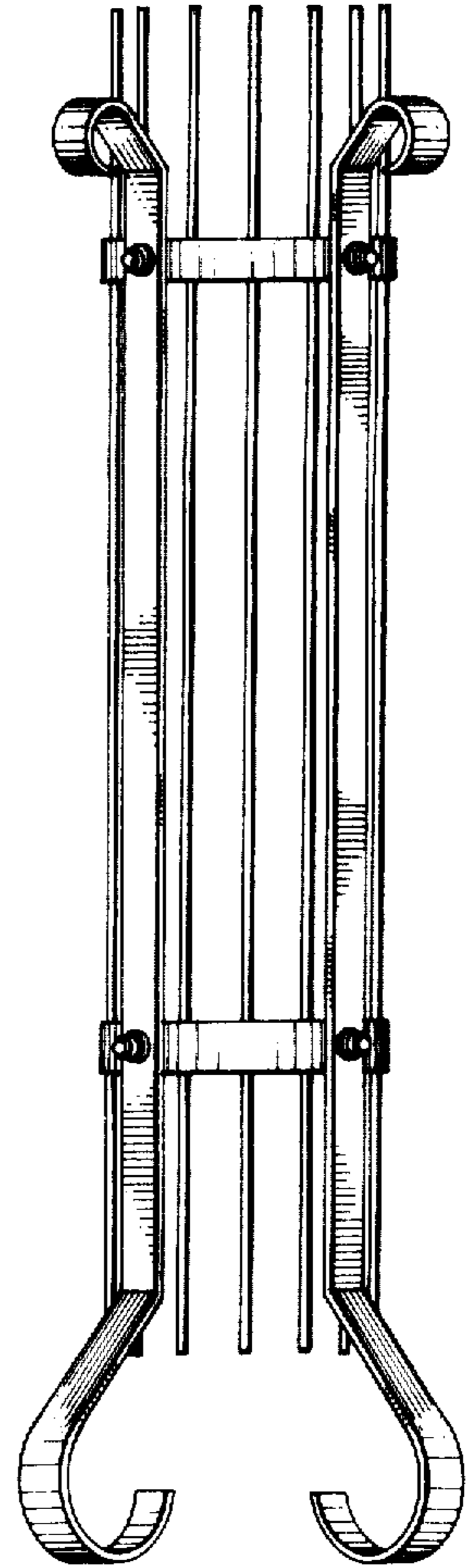
*Fig. 1*



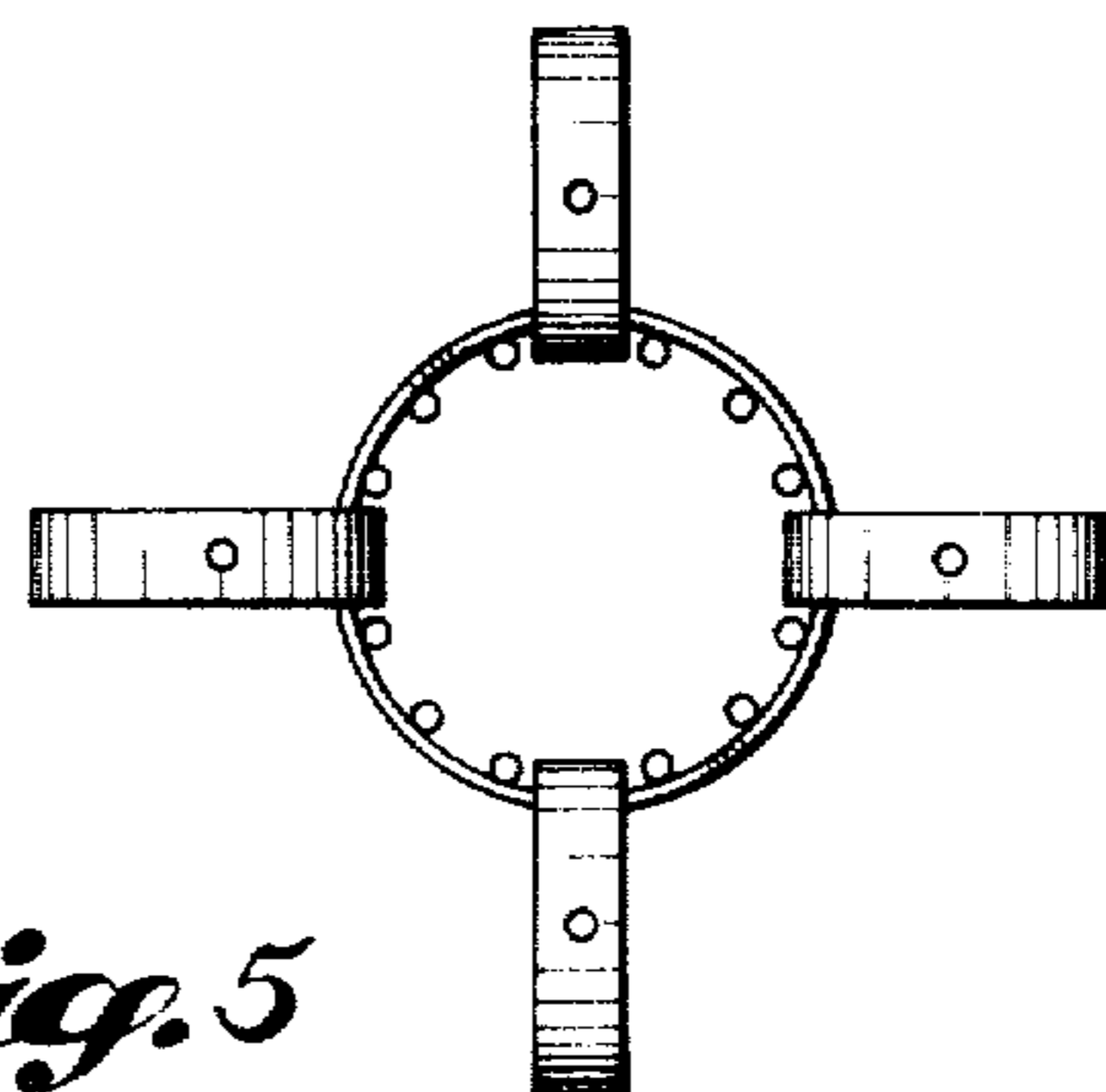
*Fig. 2*



*Fig. 3*



*Fig. 4*



*Fig. 5*