

[54] MICROWAVE OVEN

[75] Inventors: Michio Tanaka, Nara; Masamichi Yamamura, Osaka; Toshio Harada, Nara, all of Japan

[73] Assignee: Matsushita Electric Industrial Co., Ltd., Osaka, Japan

[**] Term: 14 Years

[21] Appl. No.: 329,141

[22] Filed: Dec. 9, 1981

[30] Foreign Application Priority Data

Jul. 2, 1981 [JP] Japan 56-29192

[51] Int. Cl. D7-02

[52] U.S. Cl. D7/351

[58] Field of Search D7/351; 219/10.55

[56] References Cited

U.S. PATENT DOCUMENTS

D. 242,420 11/1976 Ura et al. D7/351
D. 249,318 9/1978 Graser et al. D7/351

Primary Examiner—Catherine E. Kemper
Attorney, Agent, or Firm—Sughrue, Mion, Zinn,
Macpeak and Seas

[57] CLAIM

The ornamental design for a microwave oven, as shown.

DESCRIPTION

FIG. 1 is a front, top and right side perspective view of a microwave oven showing our new design;
FIG. 2 is a left side elevational view;
FIG. 3 is a top plan view; and
FIG. 4 is a rear, bottom and left side perspective view.

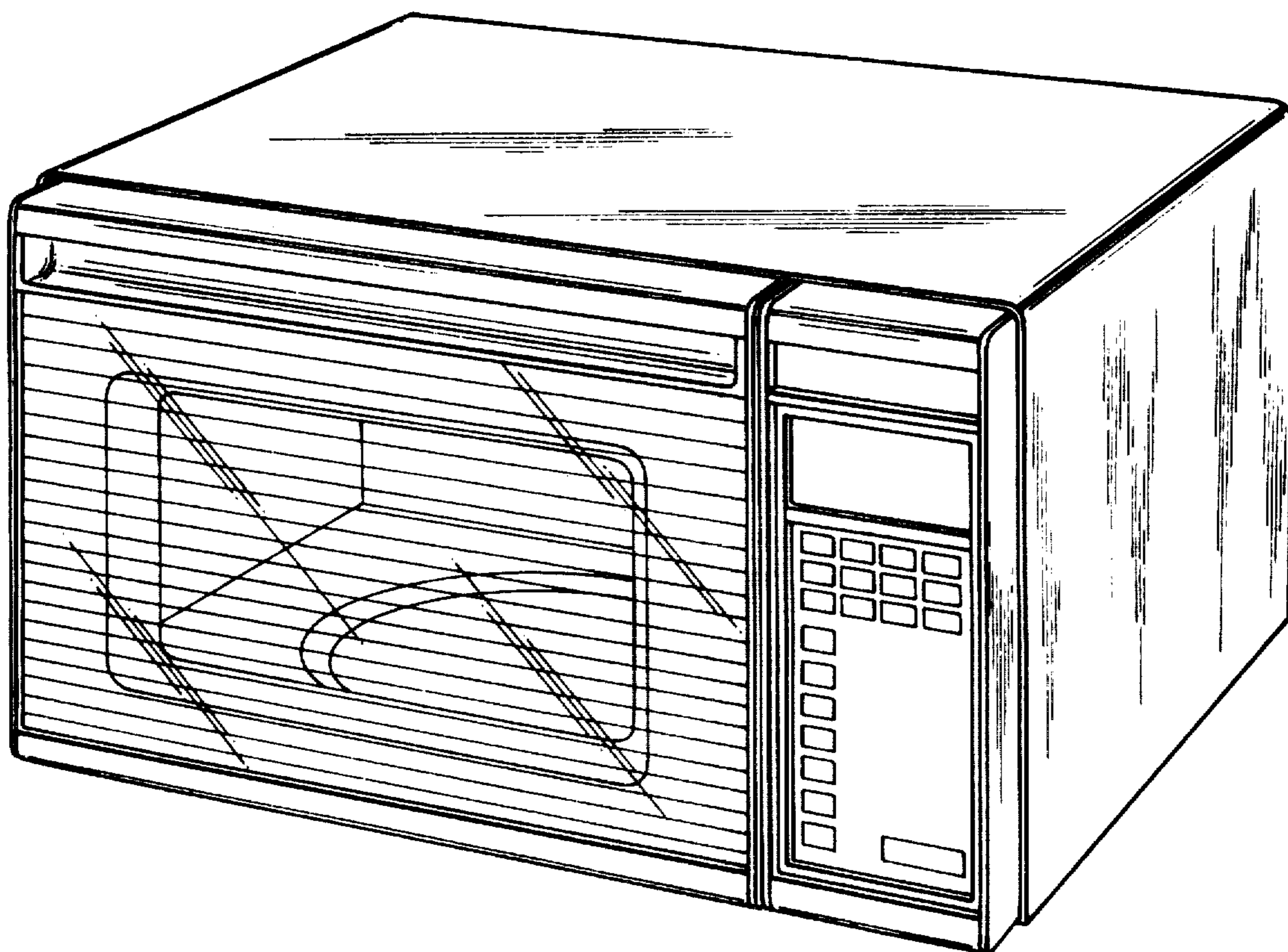


FIG. 1

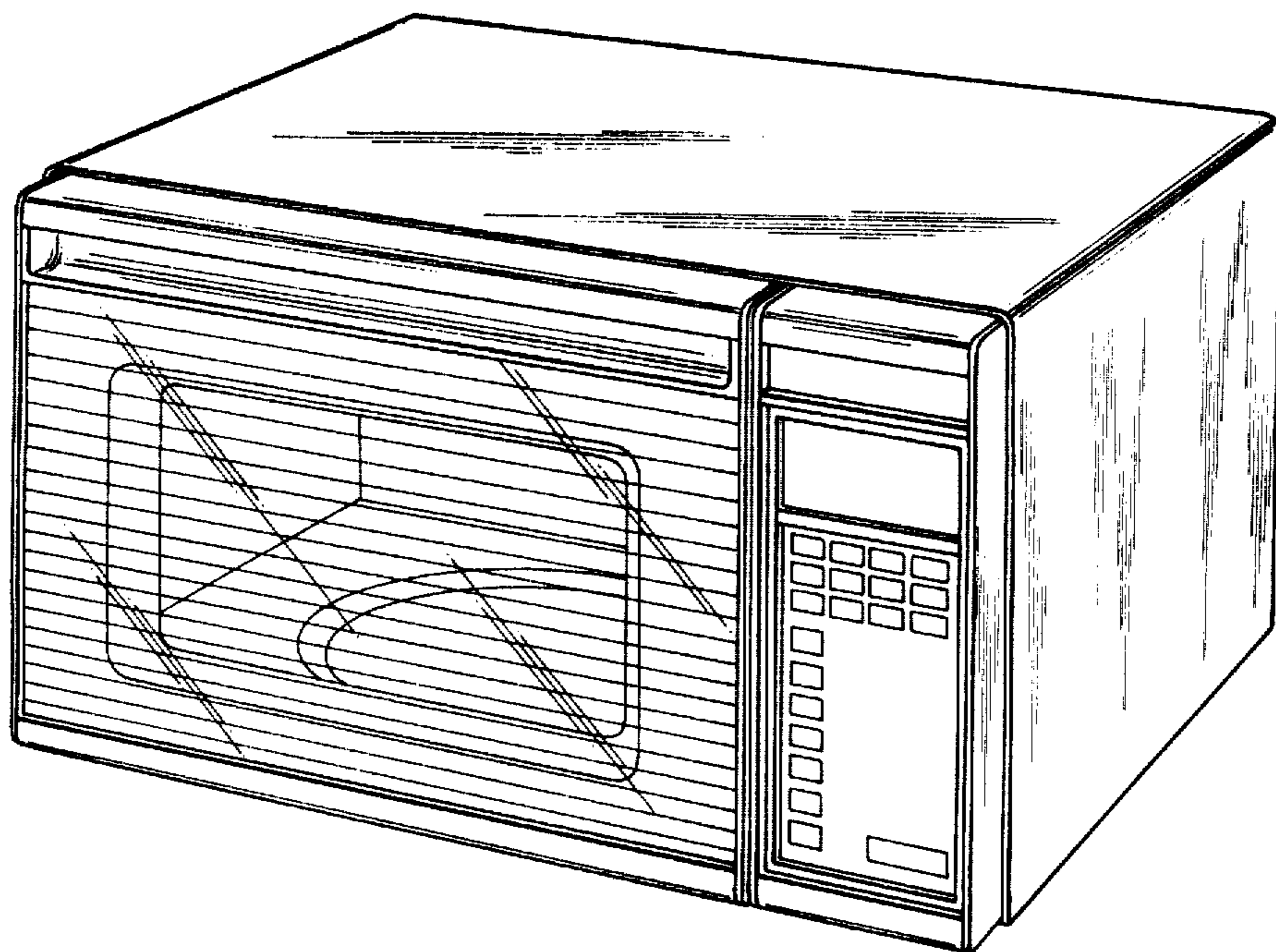


FIG. 2

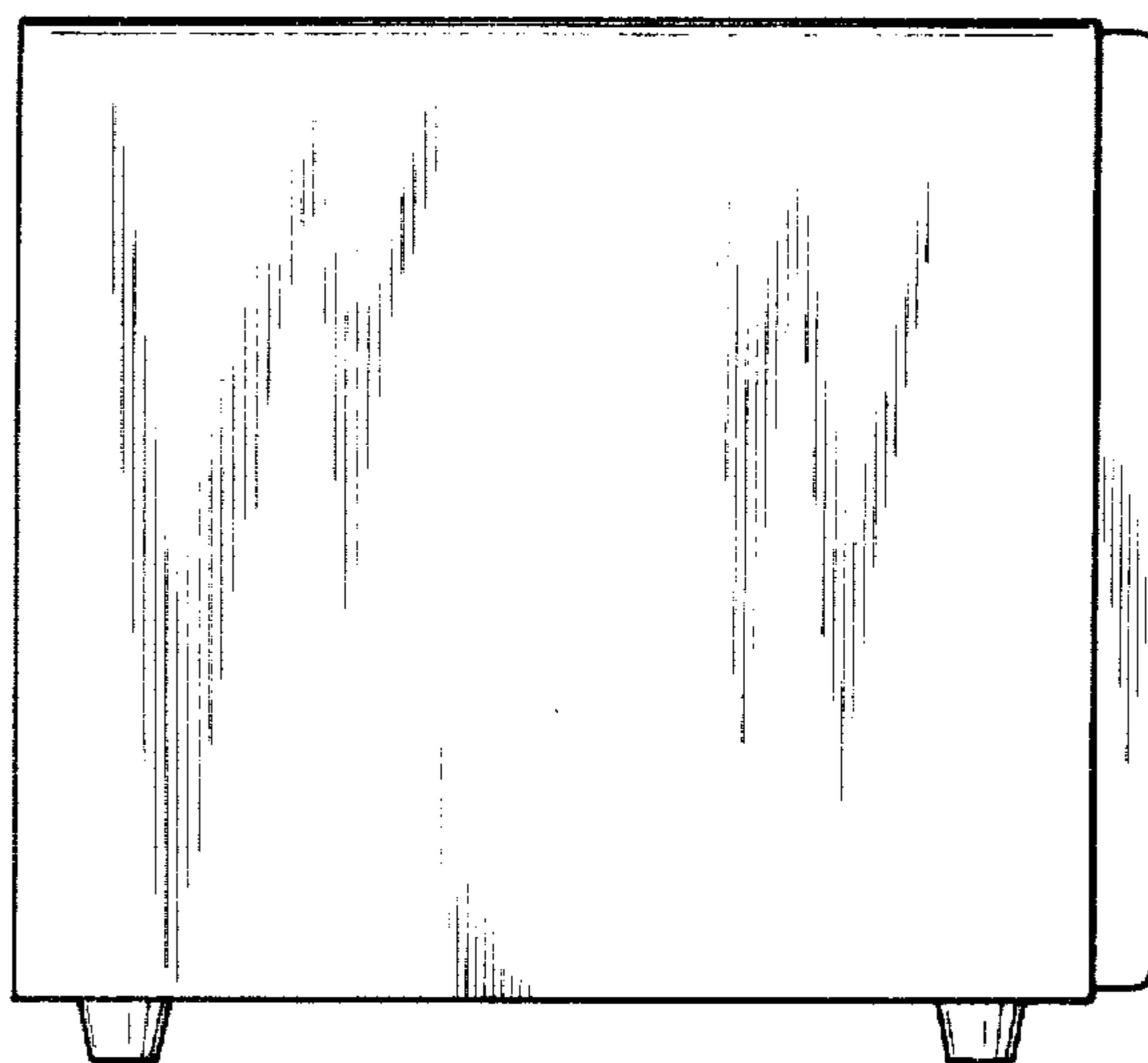


FIG. 3

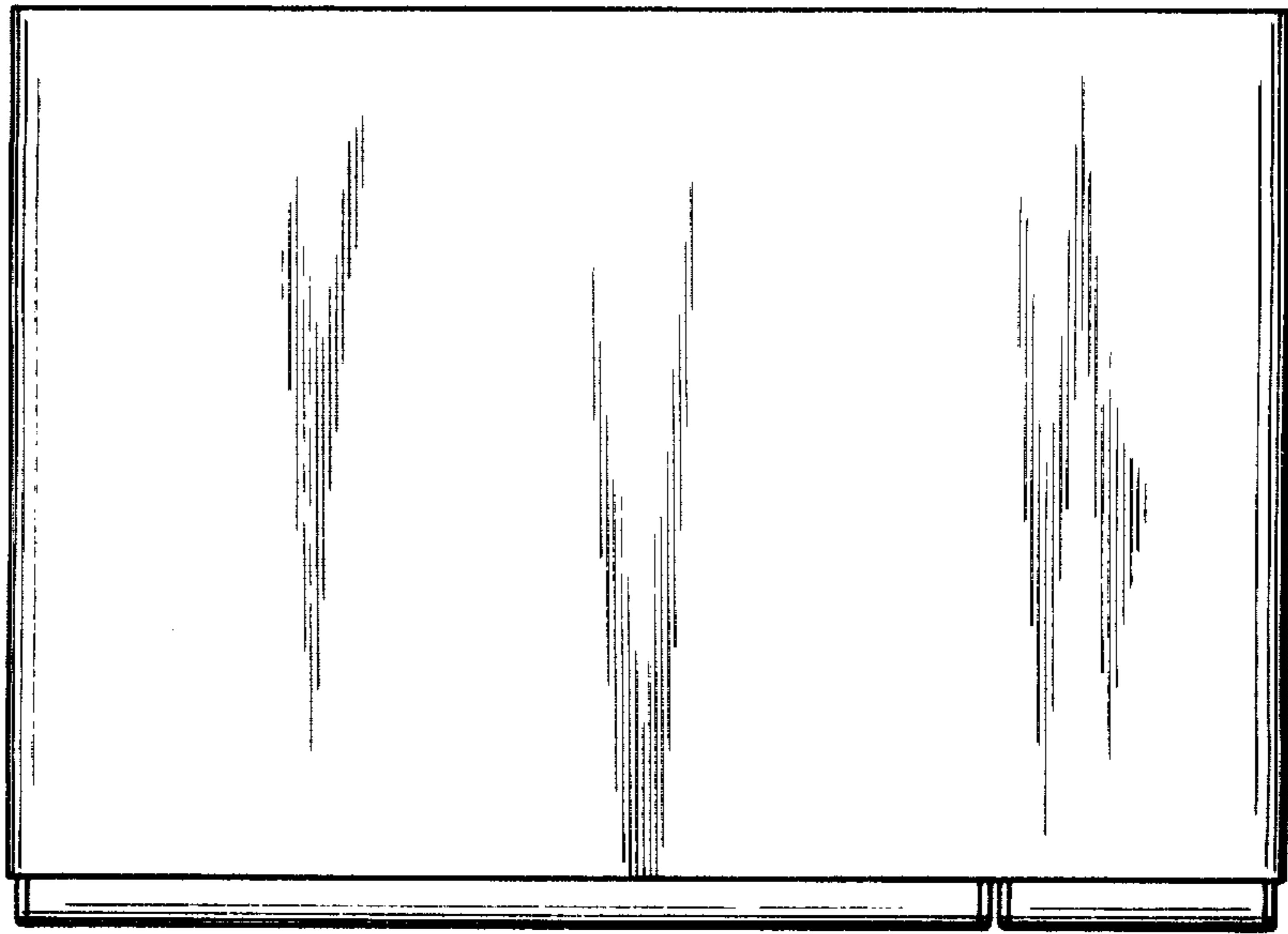


FIG. 4

