

[54] CHAIR OR SIMILAR ARTICLE

[76] Inventor: **Klaas Nijhuis**, 2600 San Leandro Blvd., San Leandro, Calif. 94578

[**] Term: **14 Years**

[21] Appl. No.: **273,668**

[22] Filed: **Jun. 15, 1981**

[51] Int. Cl. **D6-01**

[52] U.S. Cl. **D6/68**

[58] Field of Search **D6/67-78, D6/61, 62, 63; 297/118, 124, 125, 445**

[56] **References Cited**

U.S. PATENT DOCUMENTS

- D. 54,697 3/1920 South D6/64
- D. 220,907 6/1971 Kerwit D6/42

- D. 227,323 6/1973 Fisher D6/68
- D. 265,870 8/1982 Wistehuff D6/68
- D. 266,717 11/1982 Staton D6/75

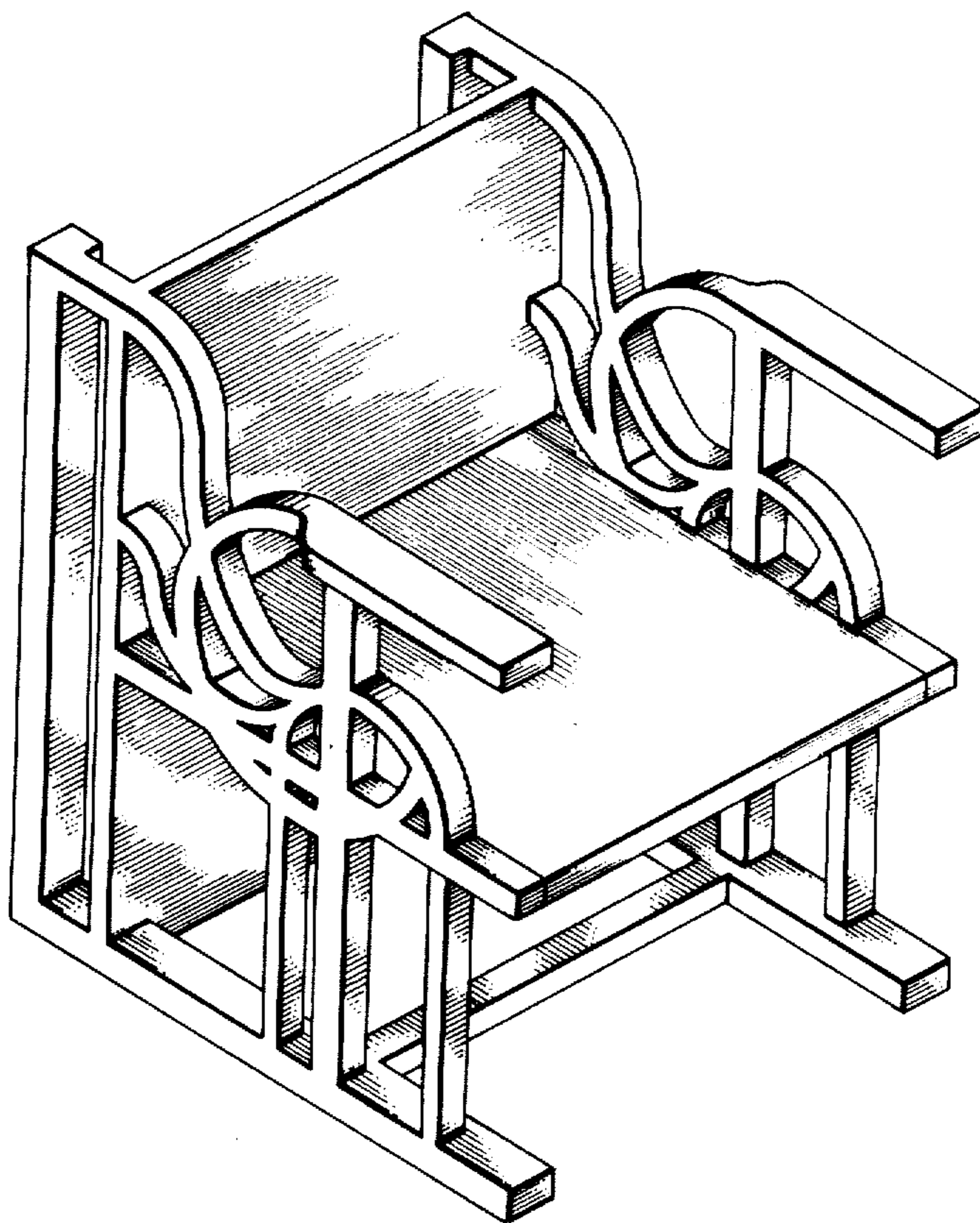
Primary Examiner—Bruce W. Dunkins

[57] **CLAIM**

The ornamental design for a chair or similar article, substantially as shown and described.

DESCRIPTION

FIG. 1 is a front perspective view of a chair or similar article showing my new design;
 FIG. 2 is a plan view thereof;
 FIG. 3 is a left side elevational view thereof, the side opposite being substantially a mirror image;
 FIG. 4 is a front elevational view thereof;
 FIG. 5 is a bottom plan view thereof; and
 FIG. 6 is a rear elevational view.



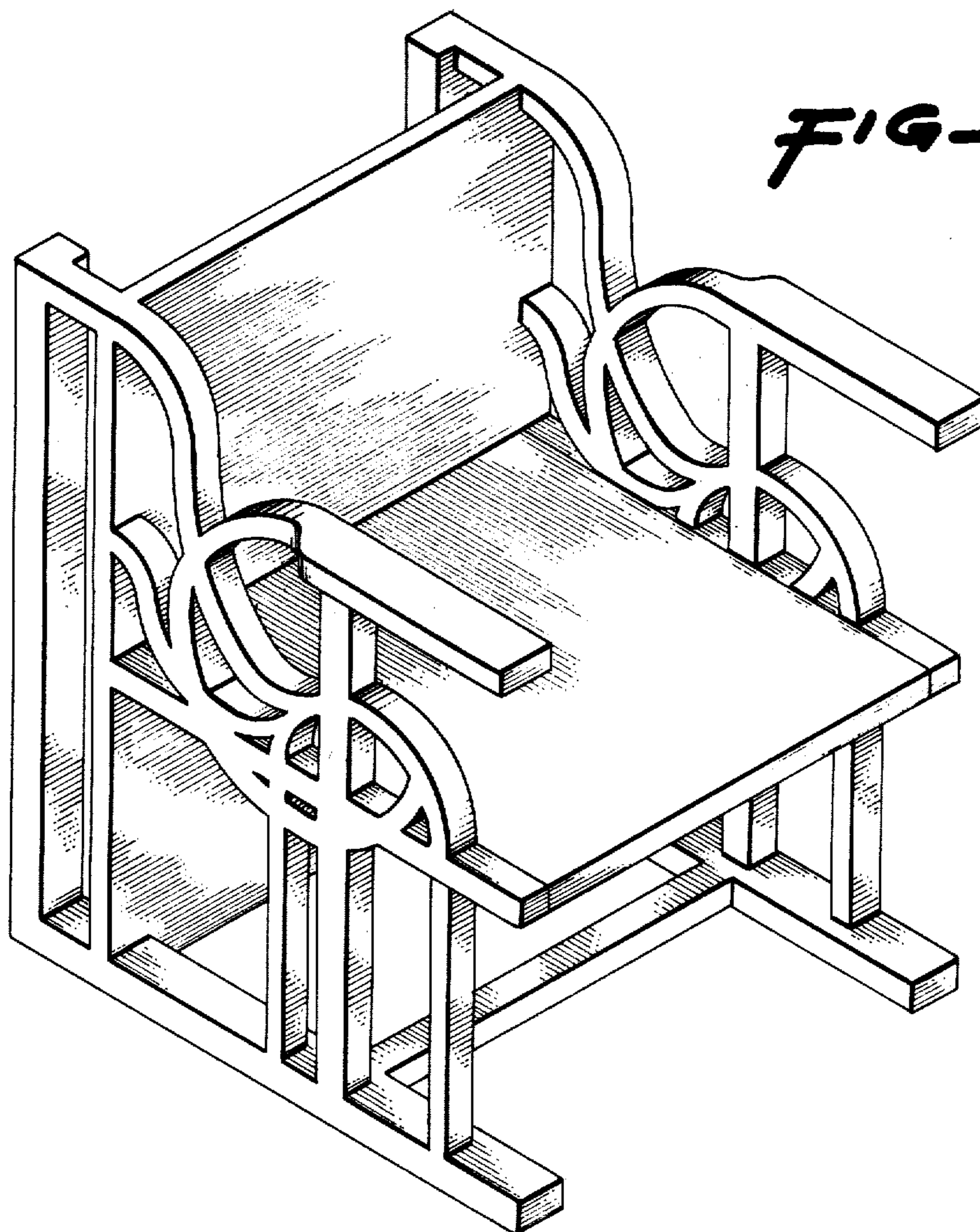


FIG-1

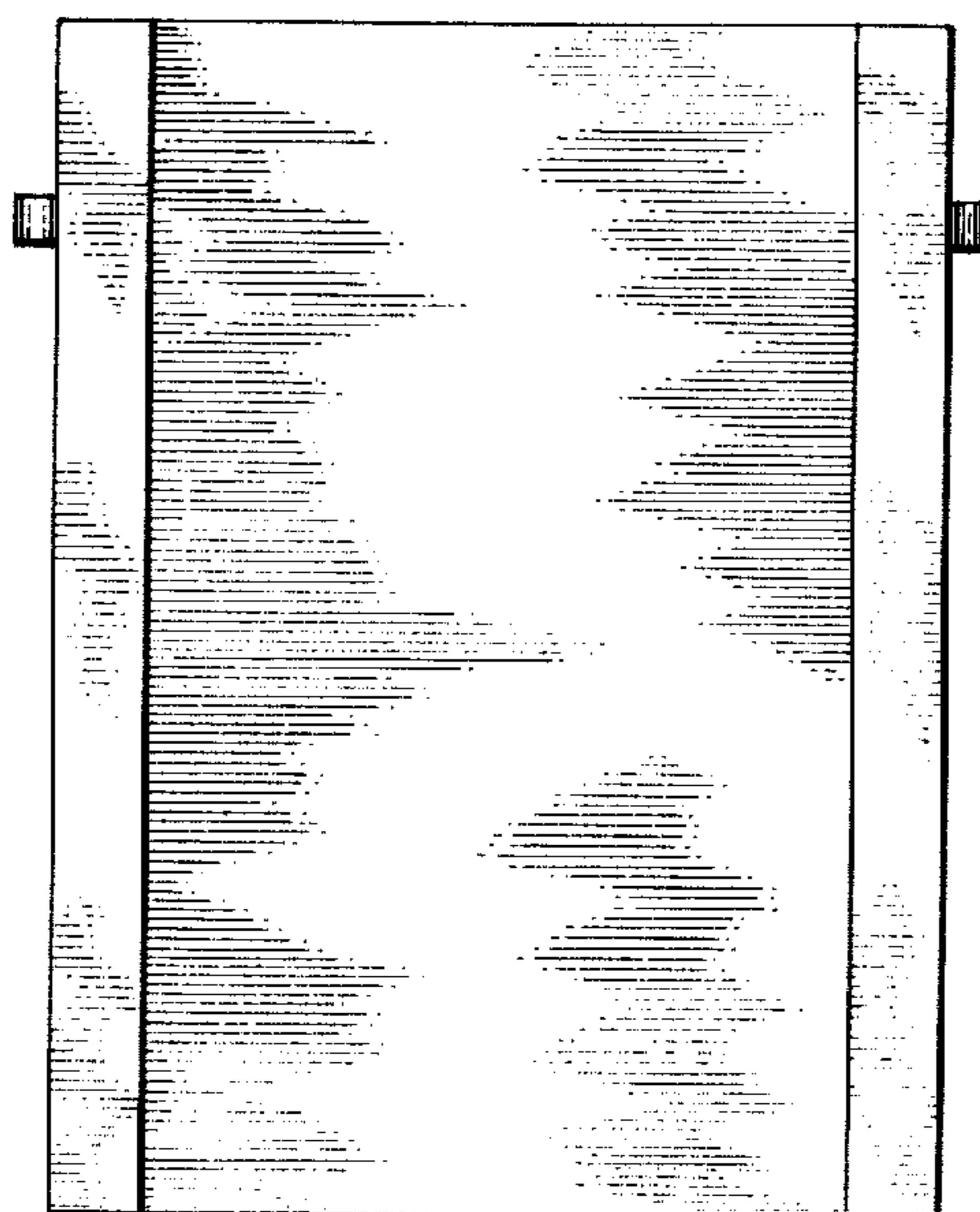


FIG-6

FIG-2

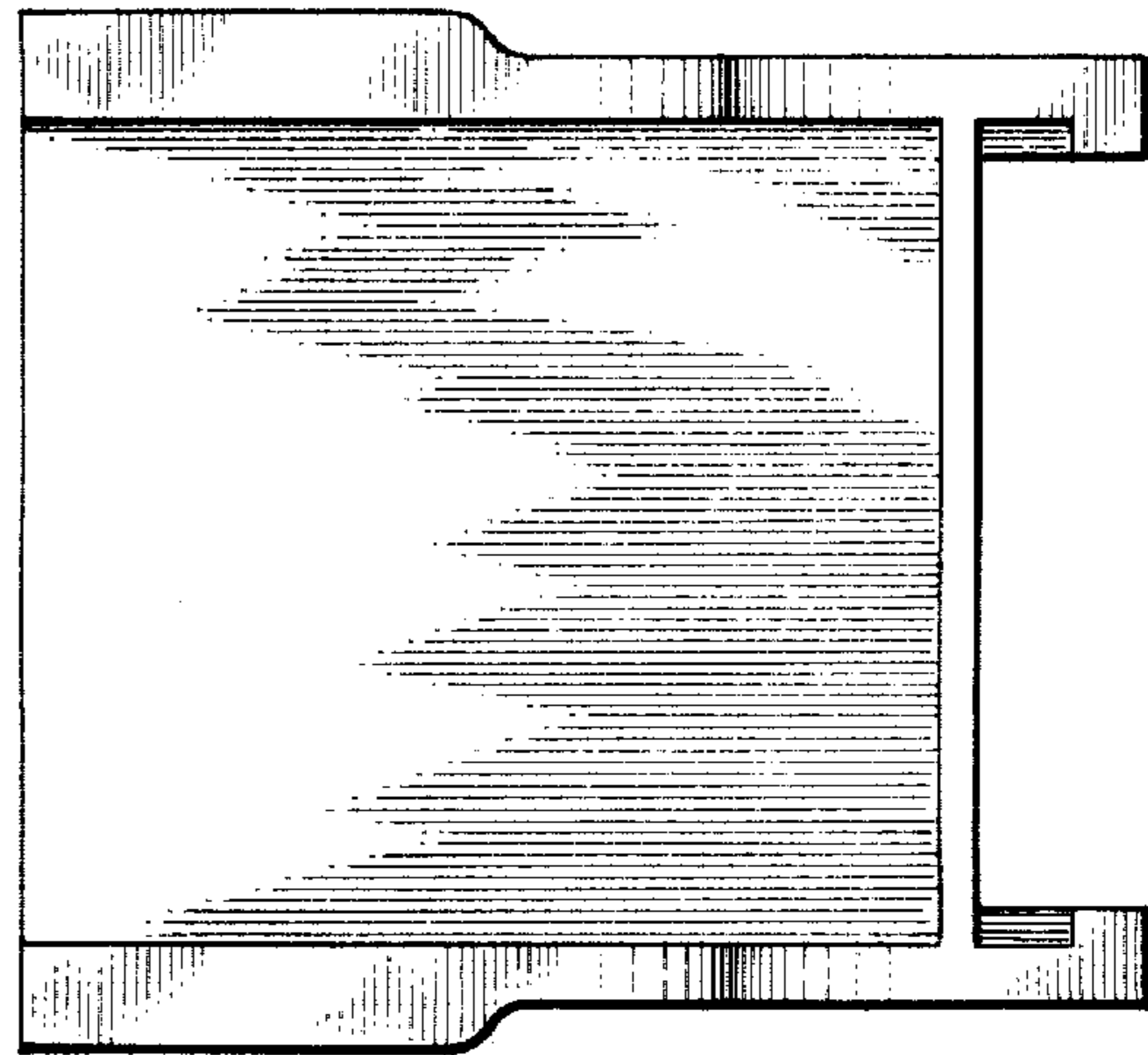


FIG-4

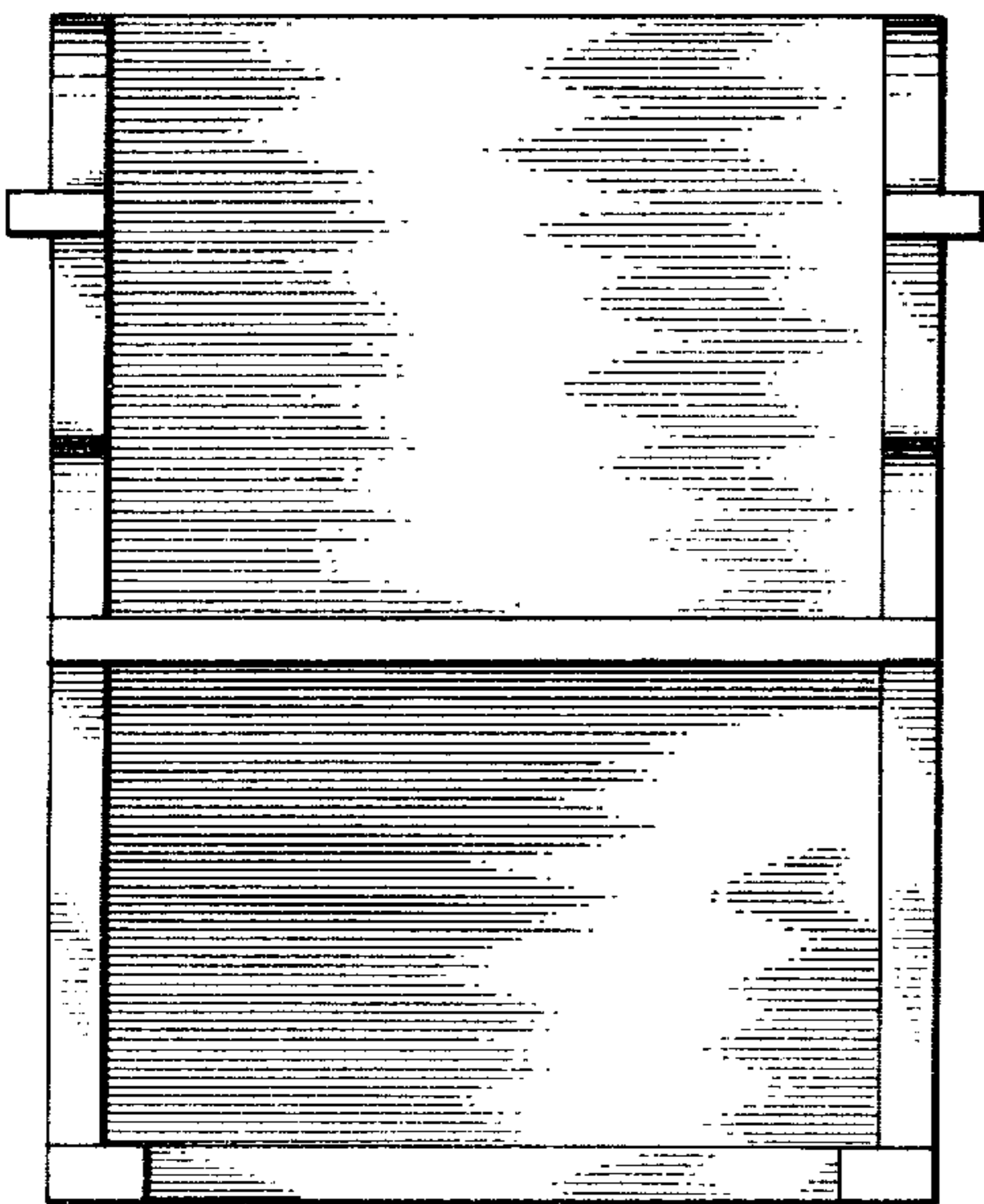


FIG-3

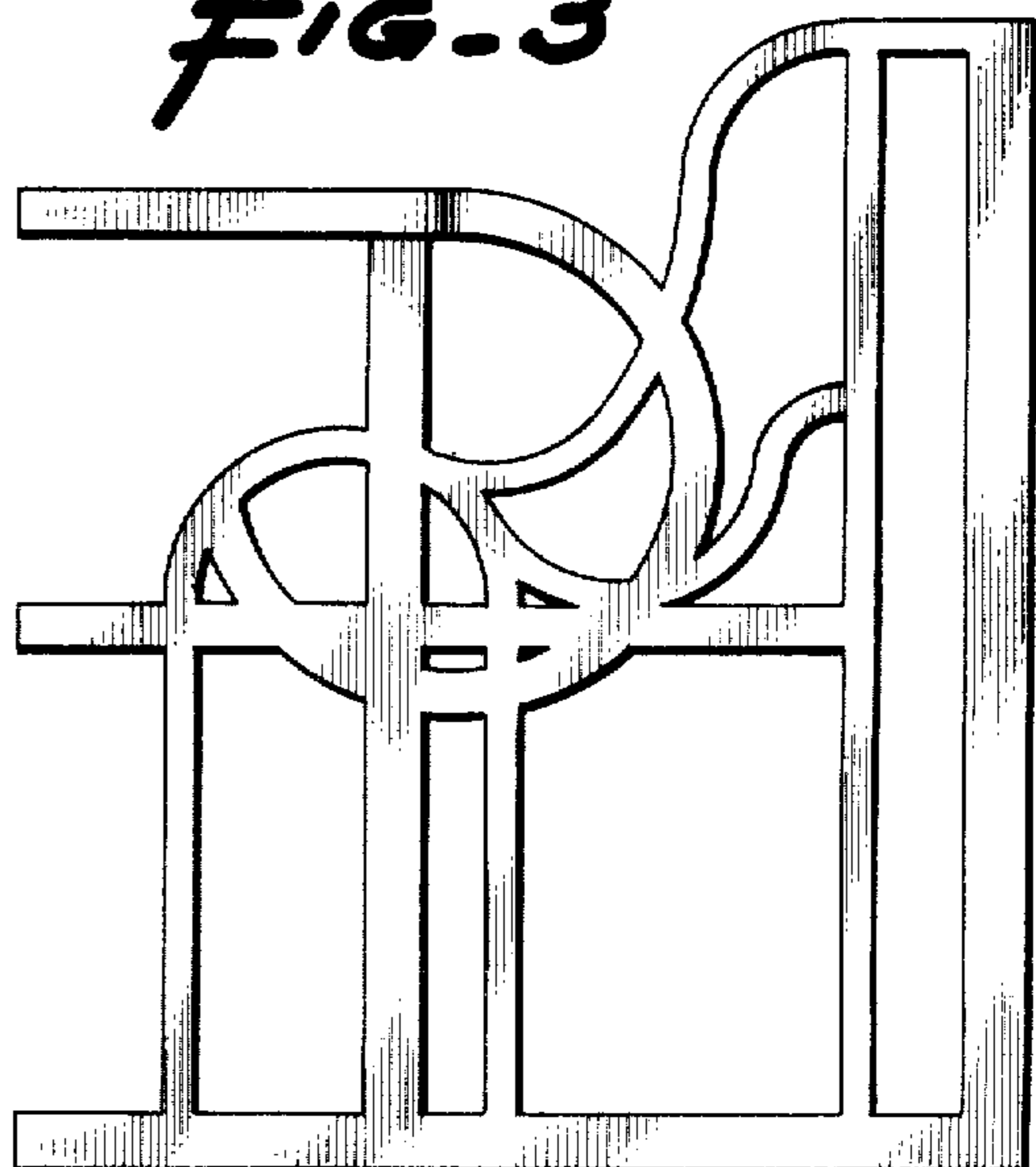


FIG-5

