

[54] COUPLING ADAPTOR FOR A MAGNETIC TAPE CASSETTE ACCOMMODATING CASE

[75] Inventors: Hideo Shirako, Hachioji; Shoichi Saito, Tokyo; Terumasa Wada, Hachioji; Koki Yamamoto, Omiya, all of Japan

[73] Assignee: Olympus Optical Co., Ltd., Tokyo, Japan

[**] Term: 14 Years

[21] Appl. No.: 261,564

[22] Filed: May 7, 1981

[30] Foreign Application Priority Data

Nov. 11, 1980 [JP] Japan 55-47126

[51] Int. Cl. D3-02; D3-99

[52] U.S. Cl. D3/35; D14/11

[58] Field of Search D3/35; D14/10, 11; 206/387; 220/23.4

[56] References Cited

U.S. PATENT DOCUMENTS

4,216,857 8/1980 Huang 206/387 X

Primary Examiner—Jane E. Corrigan
Attorney, Agent, or Firm—Frishauf, Holtz, Goodman & Woodward

[57] CLAIM

The ornamental design for a coupling adaptor for a magnetic tape cassette accommodating case, as shown and described.

DESCRIPTION

FIG. 1 is a front, top and right side perspective view of a coupling adaptor for a magnetic tape cassette accommodating case showing our new design; FIG. 2 is a front elevational view thereof; FIG. 3 is a left side elevational view thereof, the opposite side being a mirror image of the side shown; FIG. 4 is a top plan view thereof; FIG. 5 is a rear elevational view thereof; FIG. 6 is a bottom plan view thereof; and FIG. 7 is a view like FIG. 1 of the adaptor wherein the two broken line tape cassette accommodating cases are shown for illustrative purposes only and form no part of the claimed design.

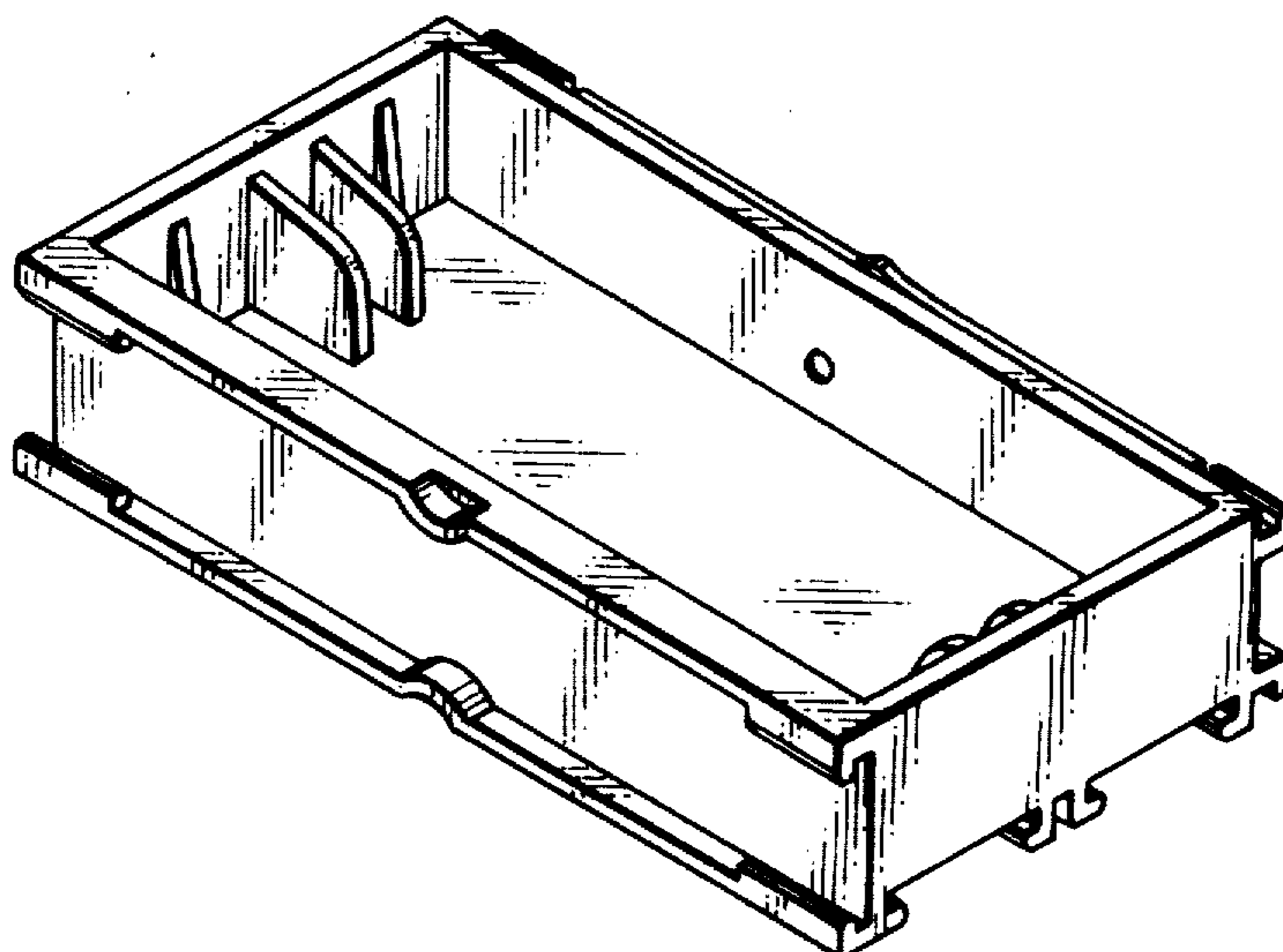


FIG. 1

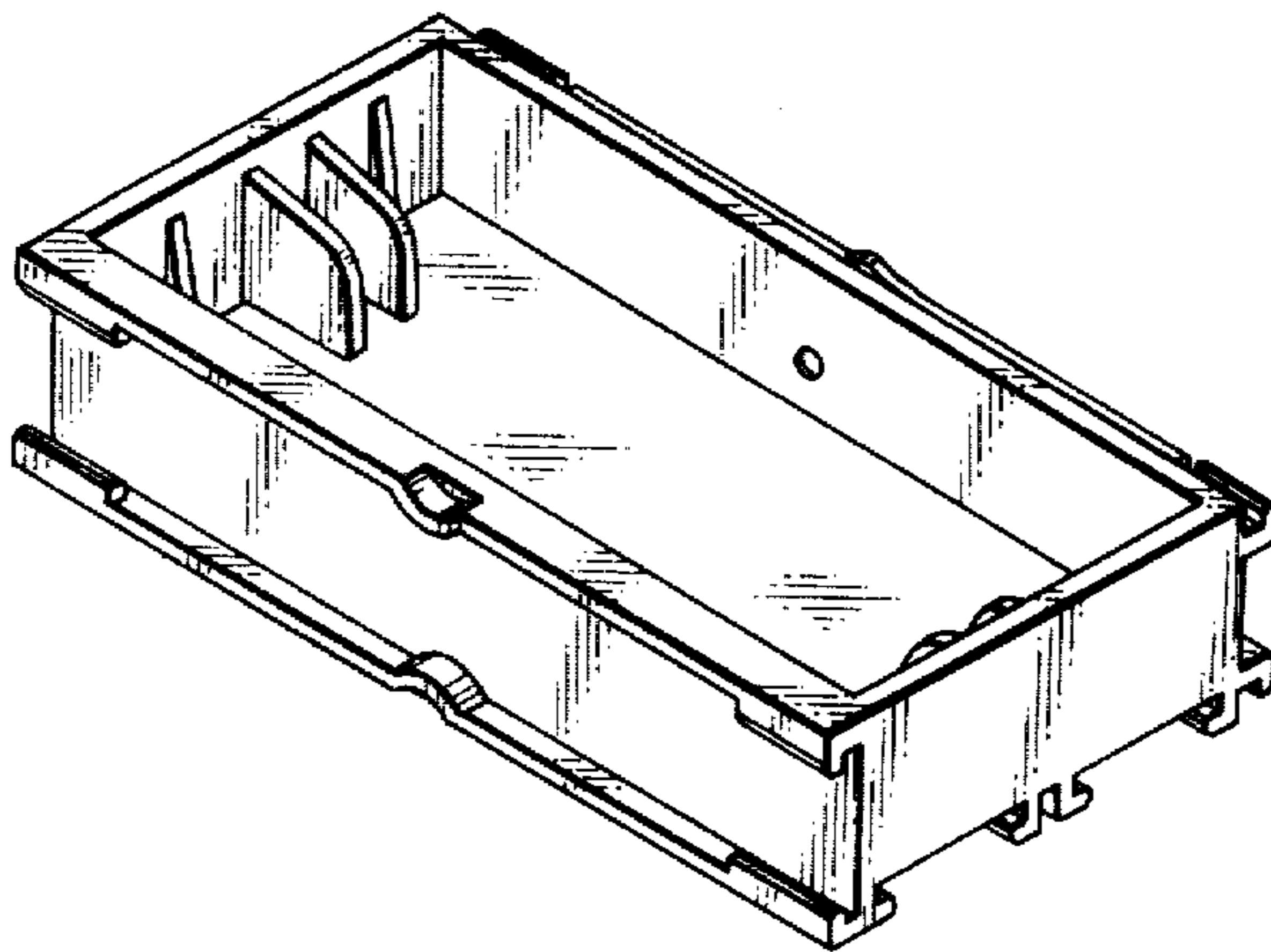


FIG. 2

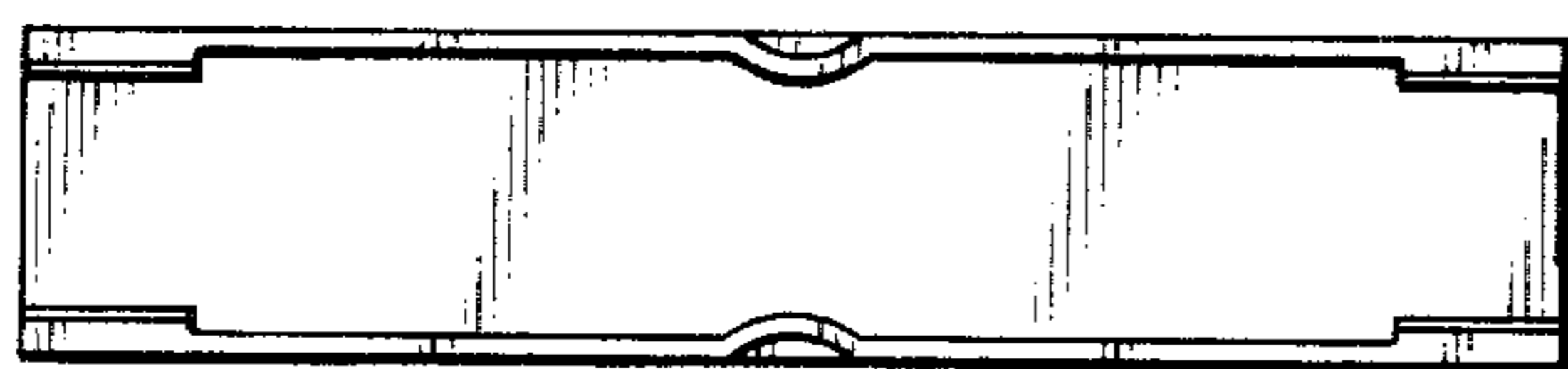


FIG. 3

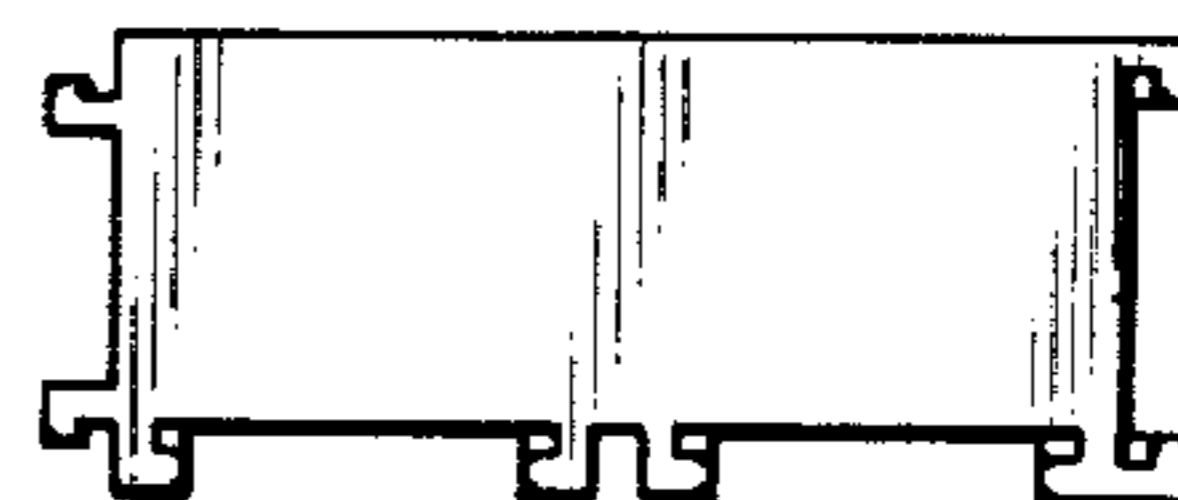


FIG. 4

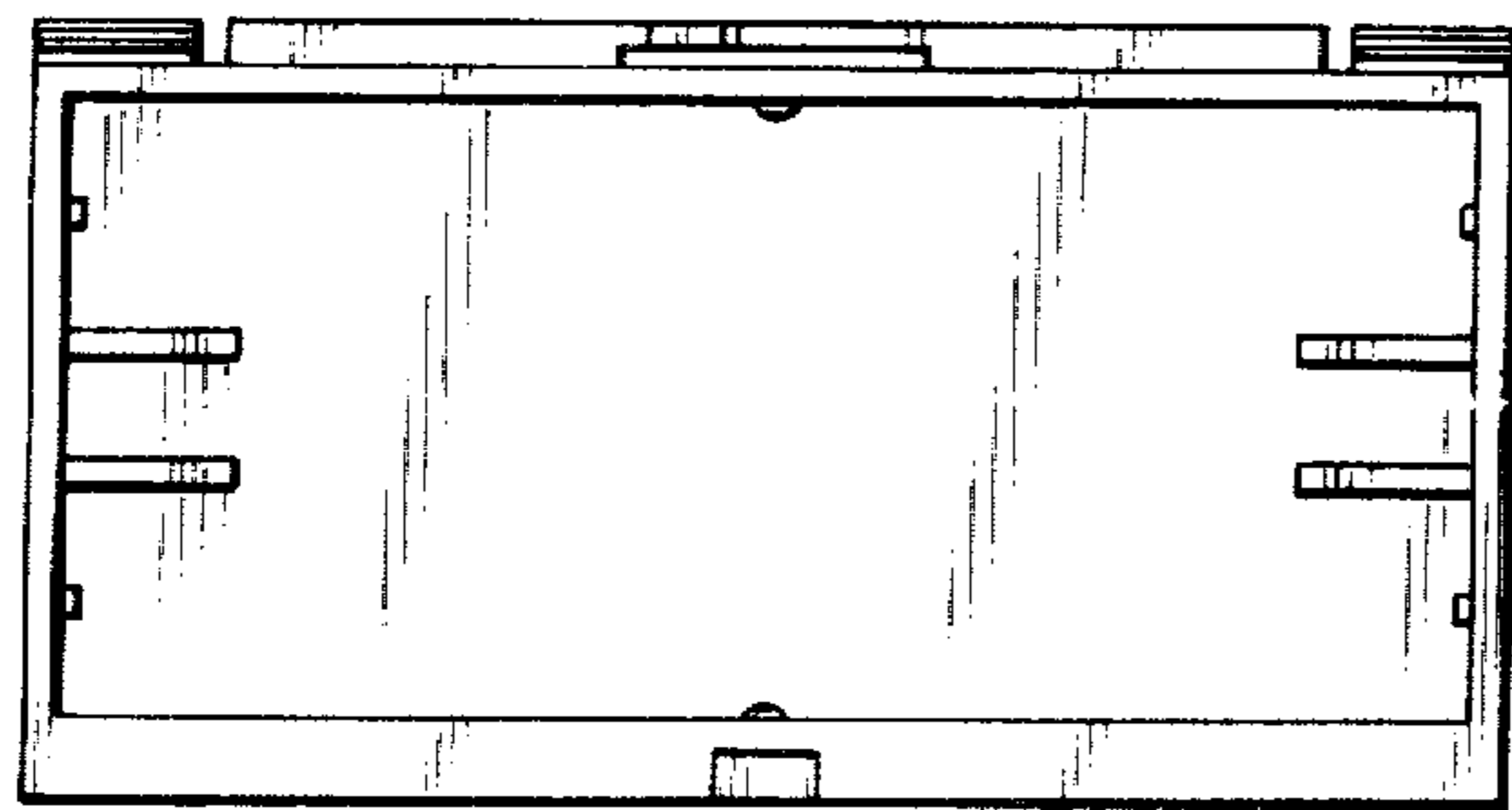


FIG. 5

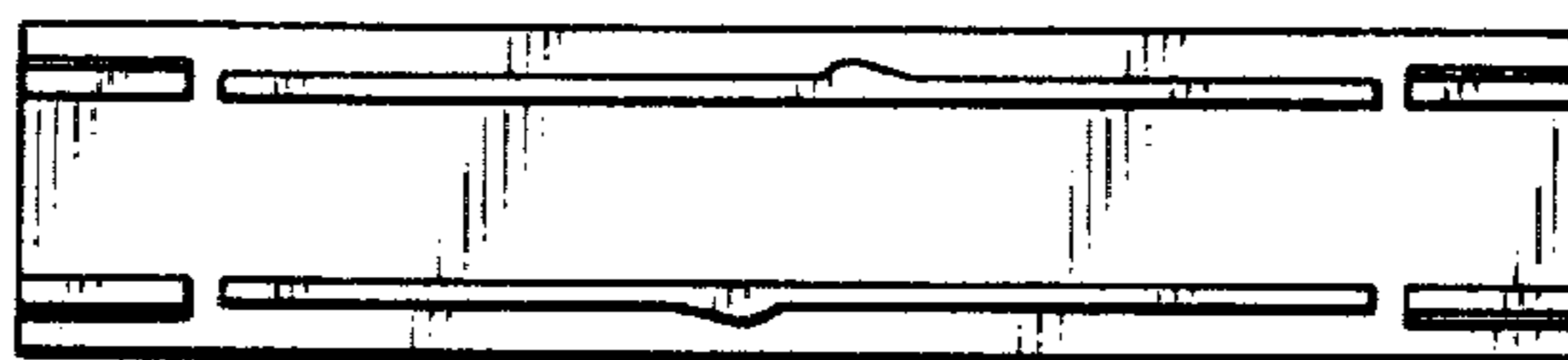


FIG. 6

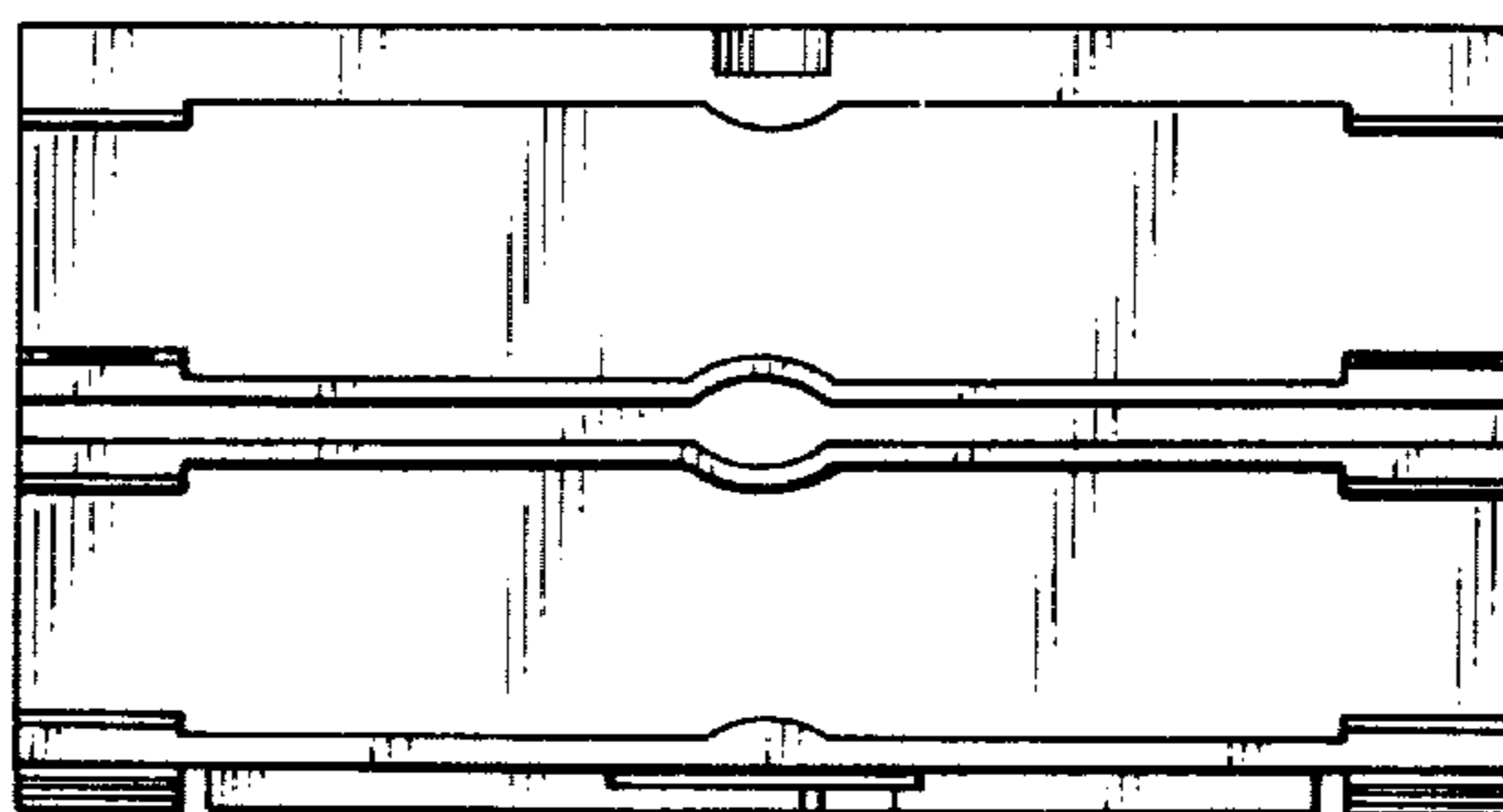


FIG. 7

