

[54] HOOK FASTENER FOR GARMENTS

[75] Inventor: Yoshihiro Kanzaka, Nyuzen, Japan

[73] Assignee: Yoshida Kogyo K.K., Tokyo, Japan

[\*\*] Term: 14 Years

[21] Appl. No.: 229,001

[22] Filed: Jan. 27, 1981

[30] Foreign Application Priority Data

Jul. 29, 1980 [JP] Japan ..... 55-30797

[51] Int. Cl. .... D02-07

[52] U.S. Cl. .... D2/418

[58] Field of Search ..... D2/405, 414, 415, 418;  
24/201 HE, 201 HH, 225 R, 359, 205, 205.15  
R, 205.15 E, 205.15 H

[56] References Cited

U.S. PATENT DOCUMENTS

- D. 59,795 11/1921 Vilandrer ..... D2/414
- 622,856 4/1899 Humphrey ..... D2/418 X
- 639,048 12/1899 Hubbard ..... 24/225

- 2,834,083 5/1958 Newell et al. .... 24/230 AK X
- 2,849,775 9/1959 Erdmann ..... D2/415 X

Primary Examiner—Joel Stearman  
Assistant Examiner—Carmen H. Vales  
Attorney, Agent, or Firm—Hill, Van Santen, Steadman,  
Chiara & Simpson

[57] CLAIM

The ornamental design for a hook fastener for garments, substantially as shown and described.

DESCRIPTION

FIG. 1 is an exploded rear elevational view of a hook fastener for garments showing my new design; FIG. 2 is an exploded front elevational view thereof; FIG. 3 is a left side elevational view of the hook-receiving portion of the fastener in FIG. 1; FIG. 4 is a left side elevational view of the hook portion of the fastener in FIG. 1; FIG. 5 is a right side elevational view of the hook-receiving portion of the fastener in FIG. 1; FIG. 6 is a right side elevational view of the hook portion of the fastener in FIG. 1; and FIG. 7 is a top plan view of FIG. 1.

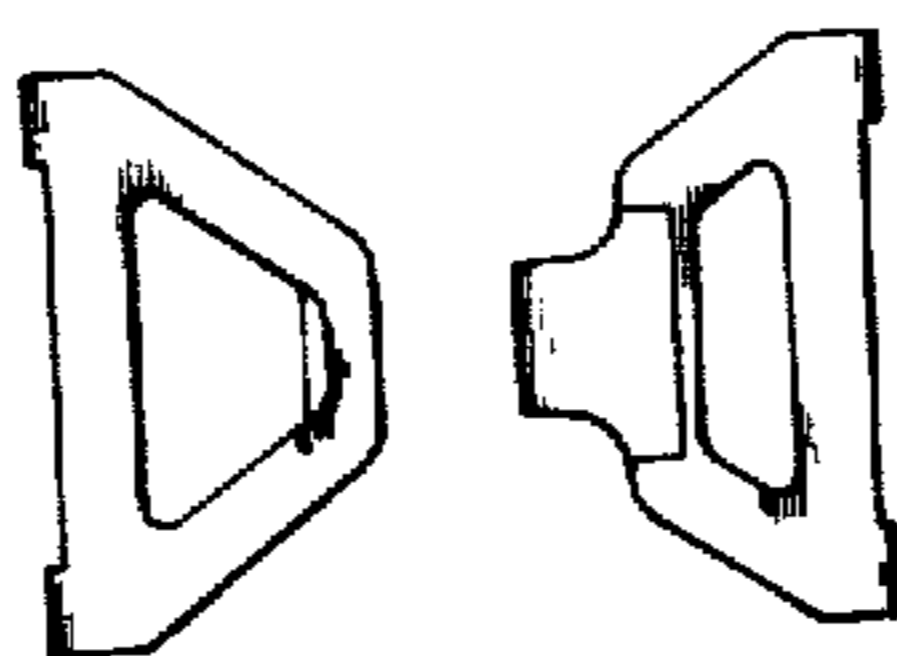


FIG. 1

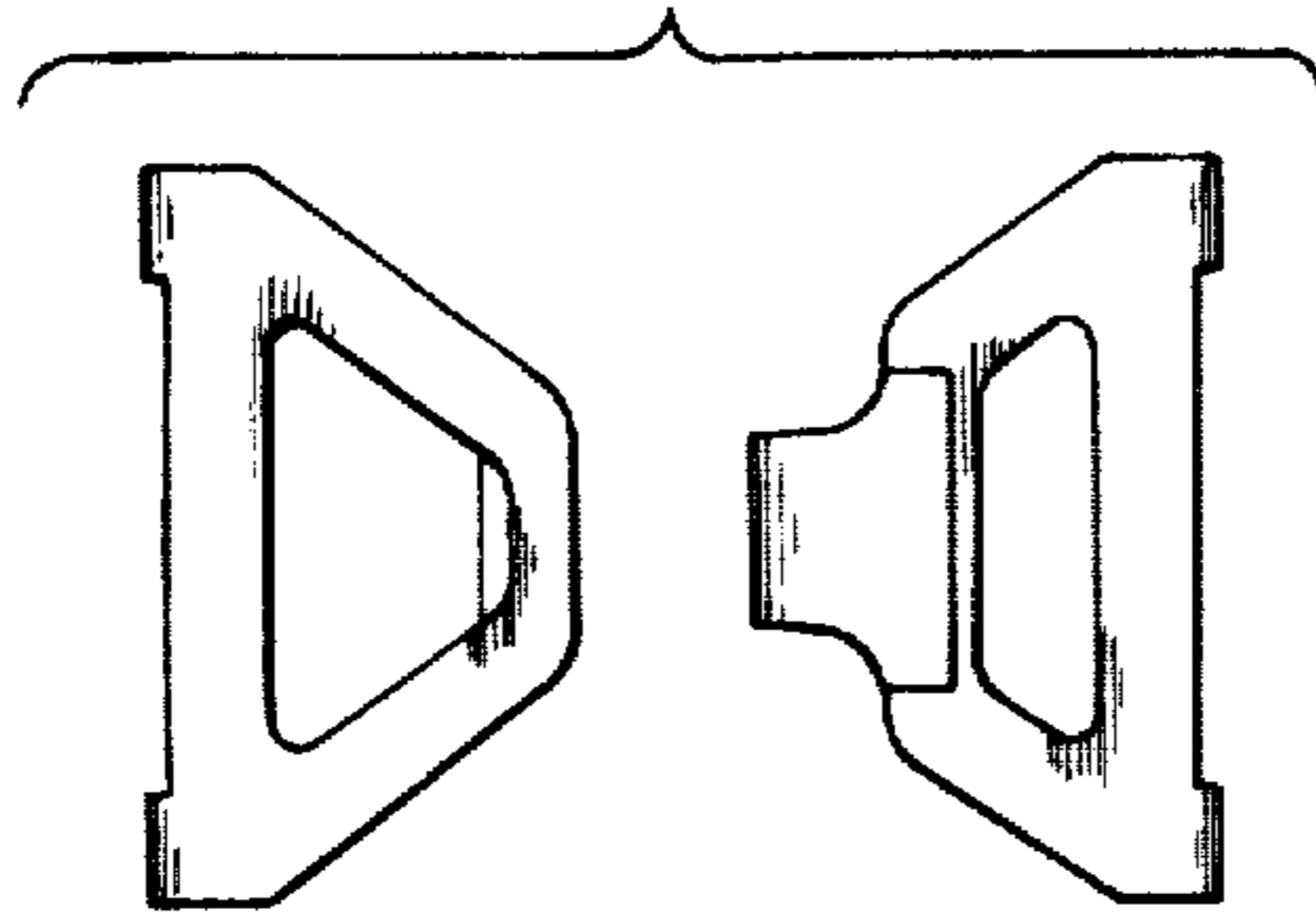


FIG. 2

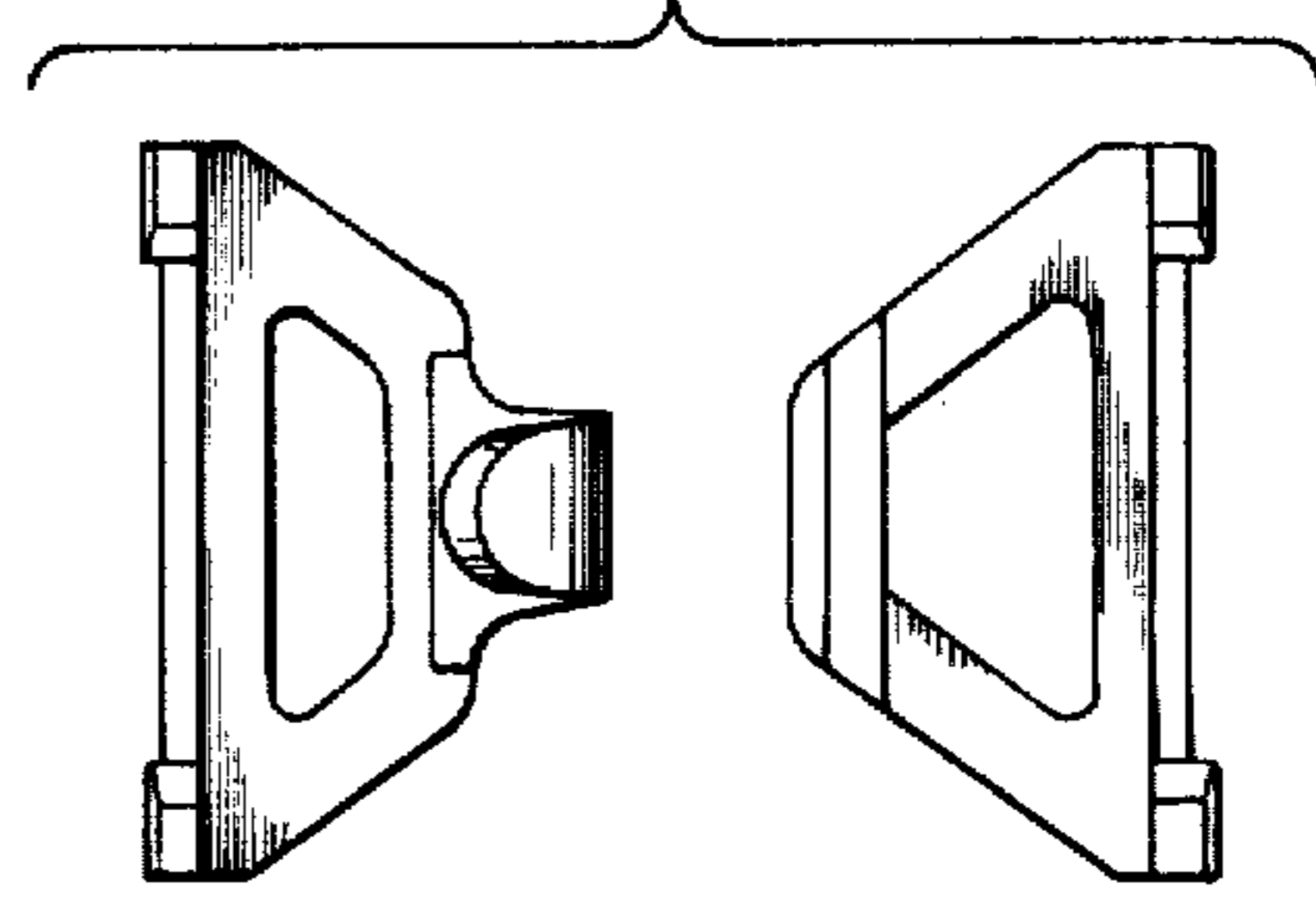


FIG. 3

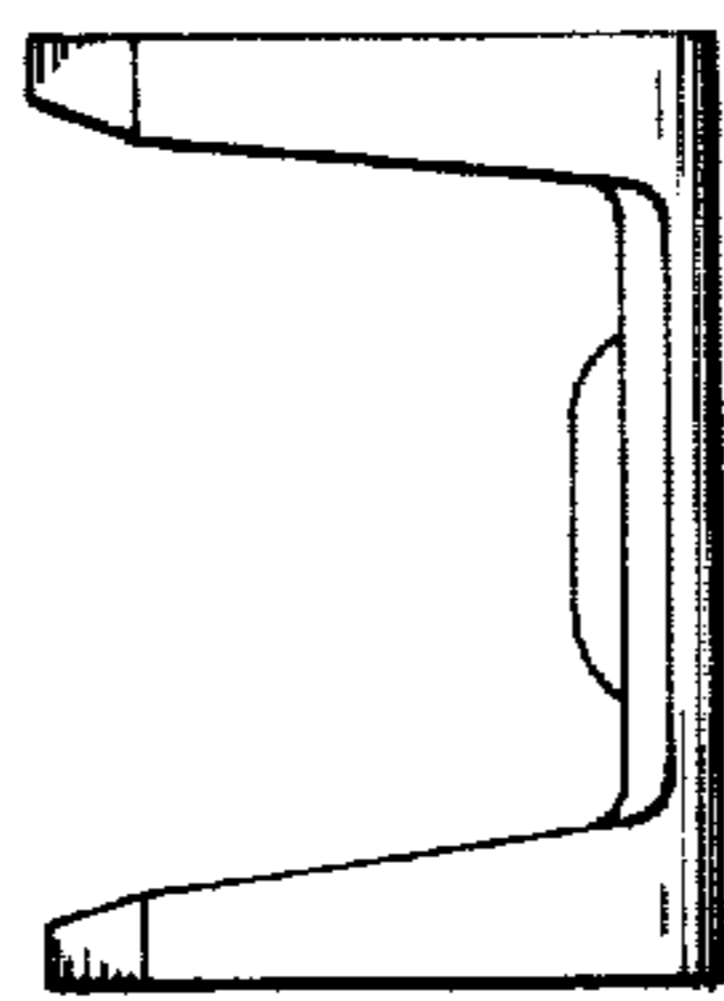


FIG. 4

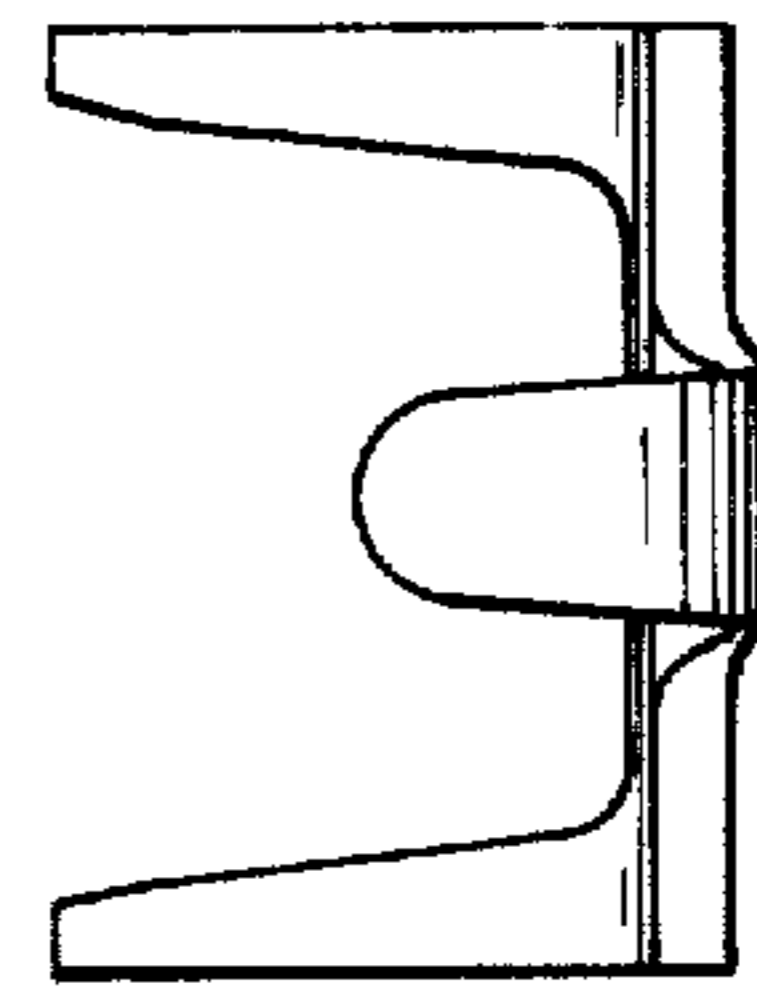


FIG. 5

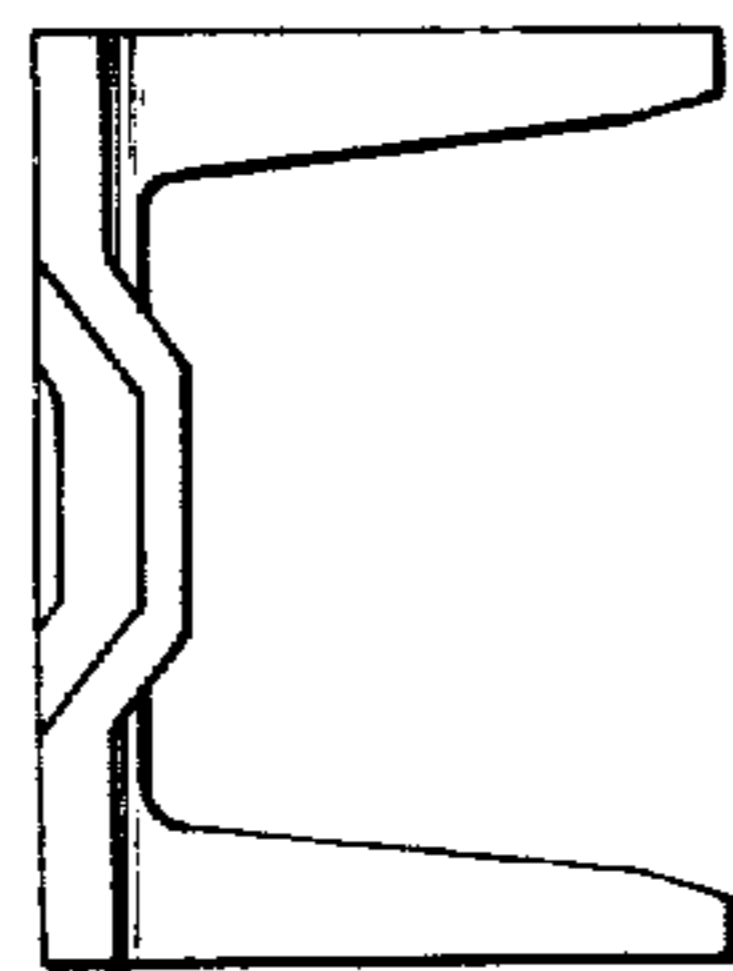


FIG. 6

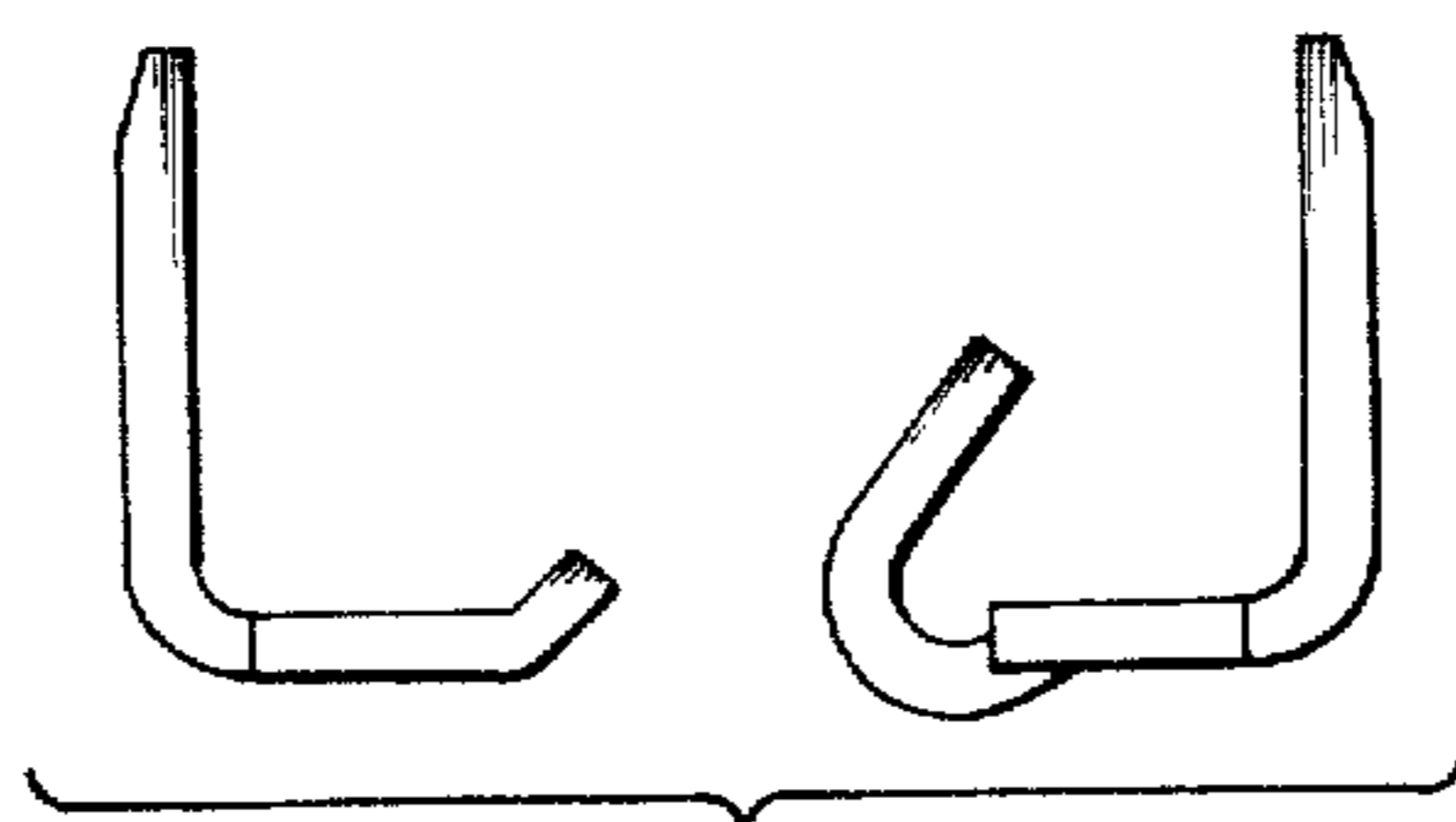
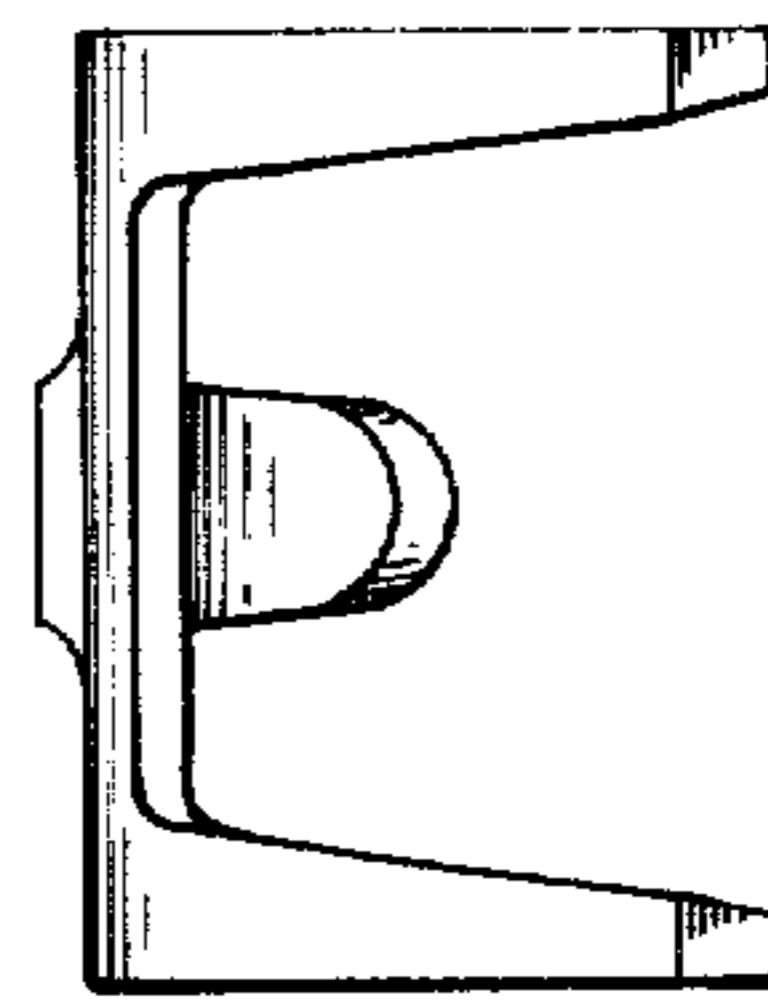


FIG. 7