

[54] WALL MOUNTED HAIR DRYING DEVICE

[75] Inventor: Jean-Marie Froidevaux, Carouge, Switzerland

[73] Assignee: Aliseo Diffusion S.A., Switzerland

[\*\*] Term: 14 Years

[21] Appl. No.: 255,315

[22] Filed: Apr. 17, 1981

[51] Int. Cl. .... D28-03

[52] U.S. Cl. .... D28/12

[58] Field of Search ..... D28/10-19, D28/35; 34/96-101; 219/222; 132/7, 9, 11 A

[56] References Cited

U.S. PATENT DOCUMENTS

D. 246,913 1/1978 Kahn et al. .... D28/13  
3,377,715 4/1968 Hübner .... D28/12 X

FOREIGN PATENT DOCUMENTS

2425715 12/1974 Fed. Rep. of Germany ..... 132/9

OTHER PUBLICATIONS

*Industrial Design*, May-Jun. 1978, pp. 38, 42 & 43-Amarita 2 Hairdryer.

*Home Furnishings Daily*, 7/12/1971, p. 71-Dryer at middle.

*Electrical Merchandising Week*, 7/11/1960, p. 71-Dominion Hair Dryer at top.

Primary Examiner—Louis S. Zarfaz

Attorney, Agent, or Firm—Ostrolenk, Faber, Gerb & Soffen

[57] CLAIM

The ornamental design for wall mounted hair drying device, as shown.

DESCRIPTION

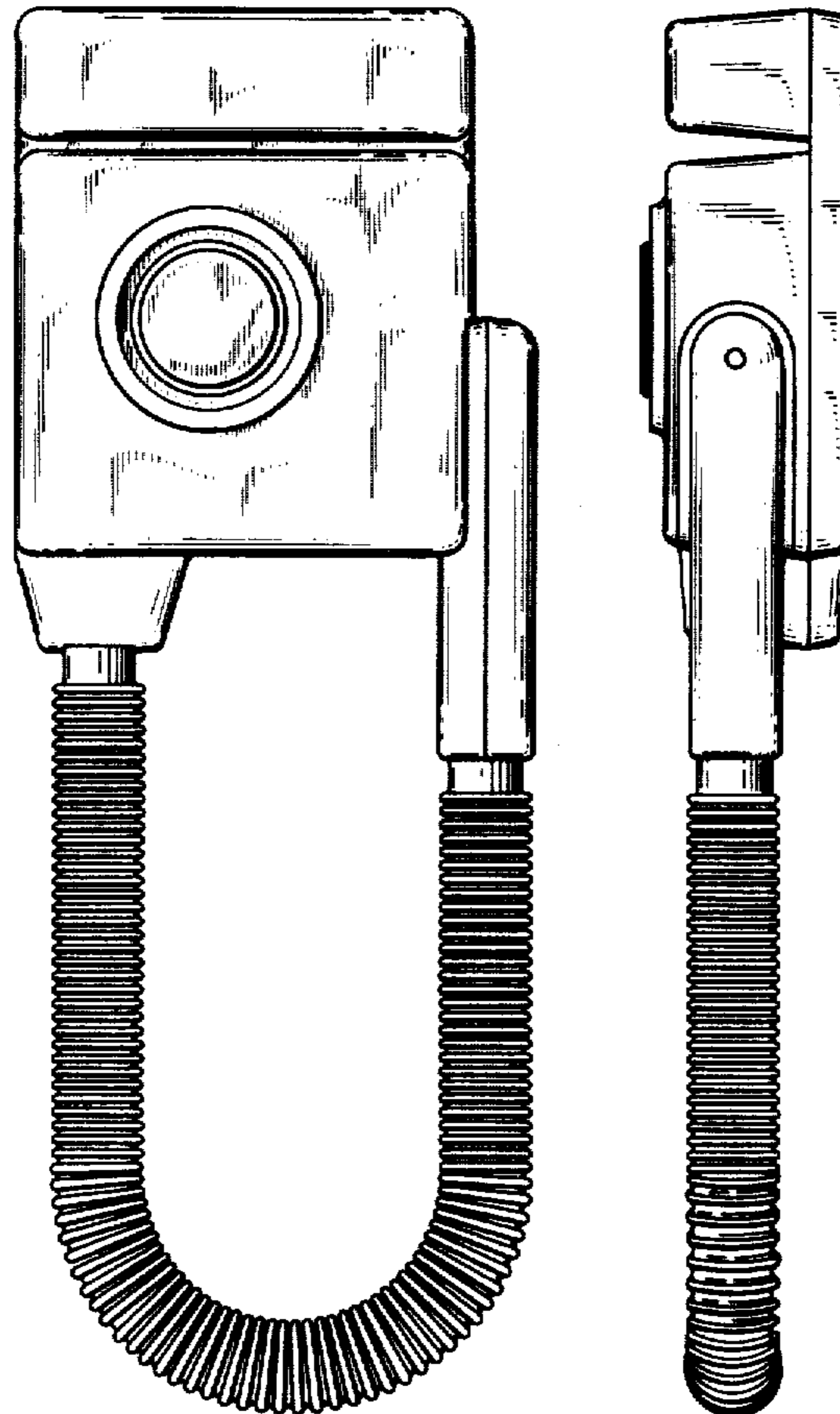
FIG. 1 is a front elevational view of a wall mounted hair drying device showing my new design;

FIG. 2 is a right side elevational view thereof;

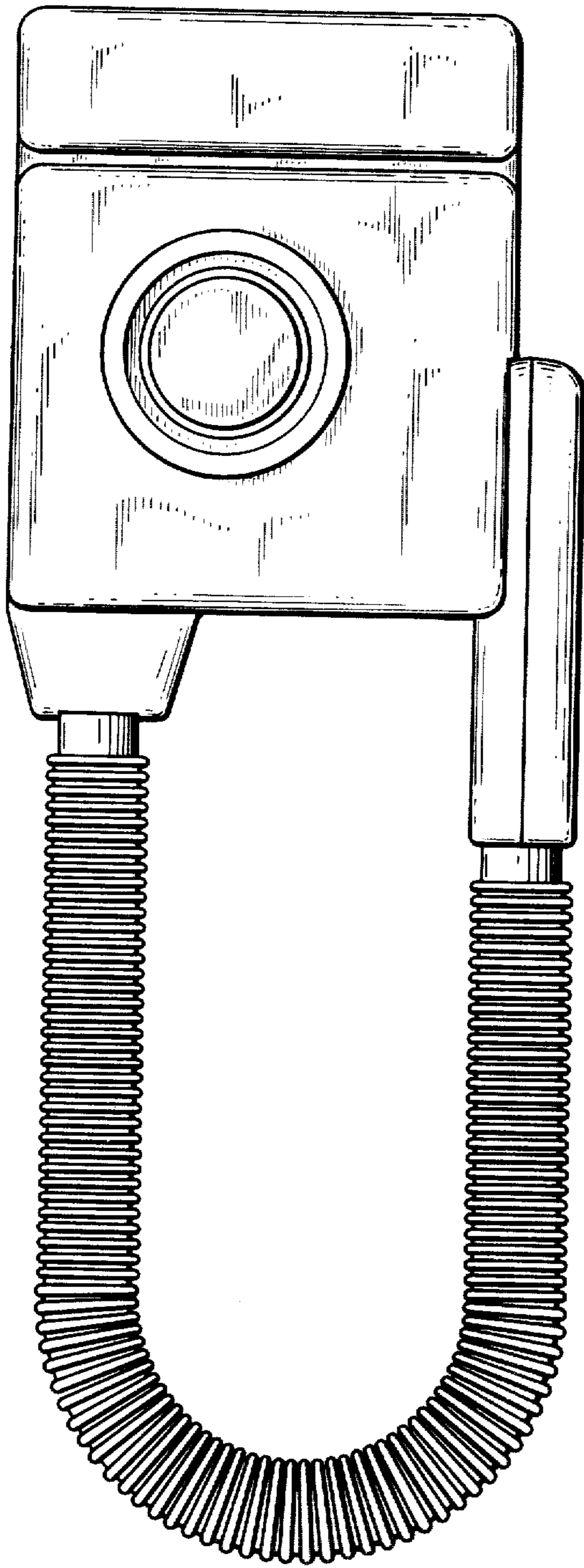
FIG. 3 is a left side elevational view thereof;

FIG. 4 is a top plan view thereof; and

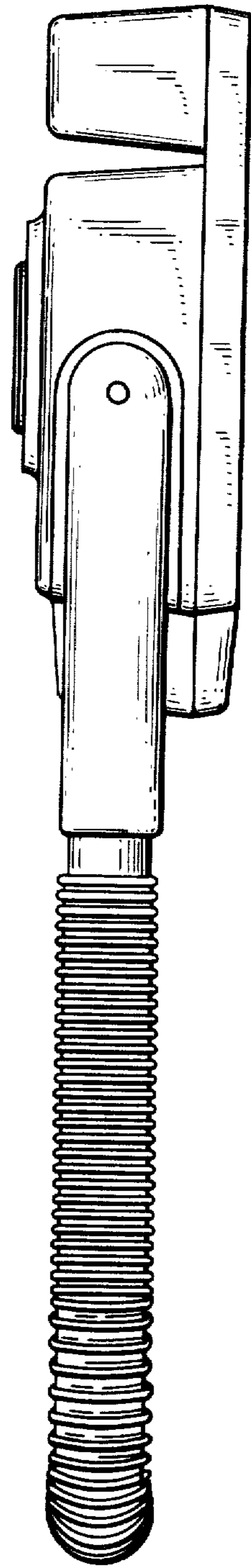
FIG. 5 is a bottom plan view thereof.



*FIG. 1.*



*FIG. 2.*



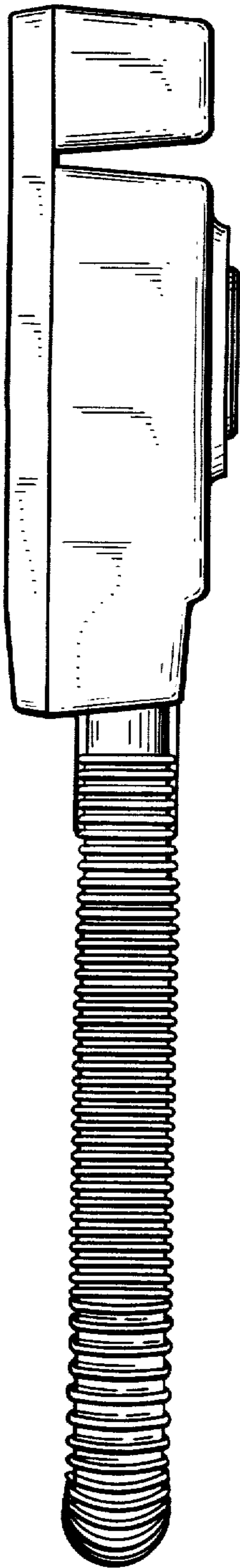


FIG. 3.

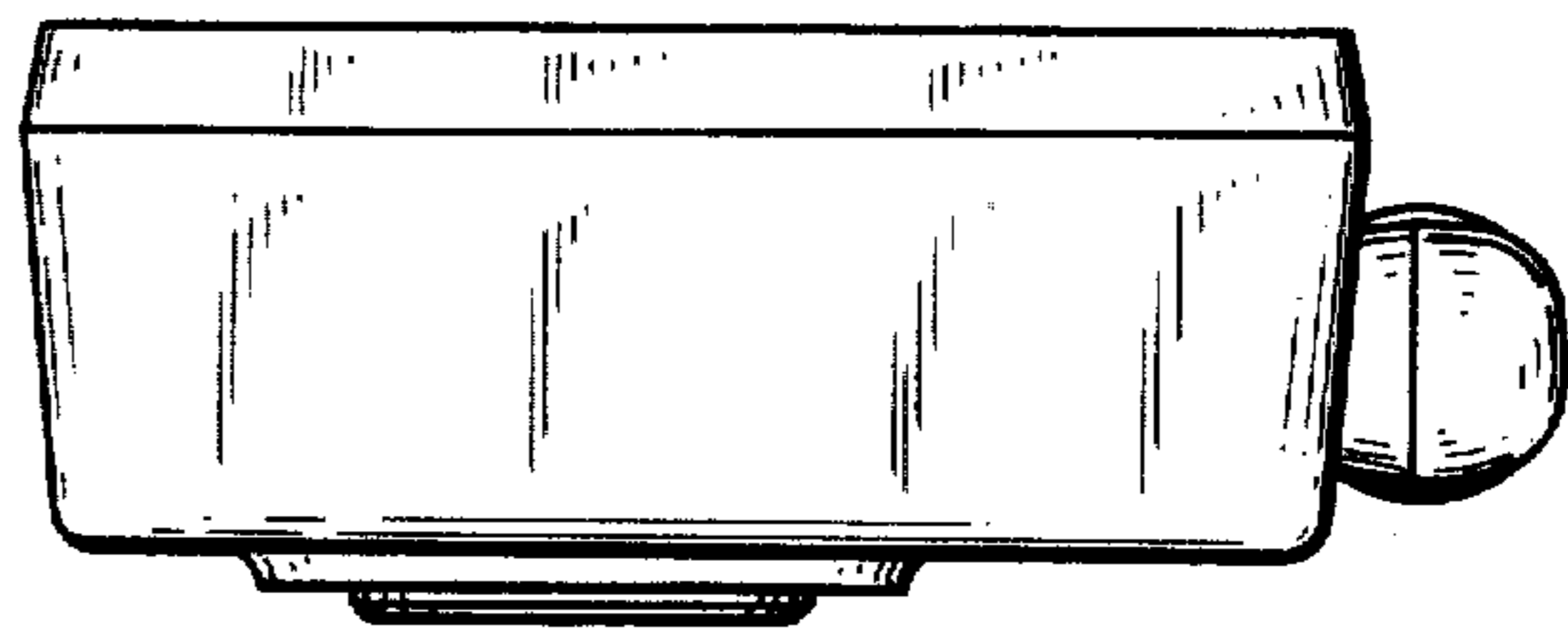


FIG. 4.

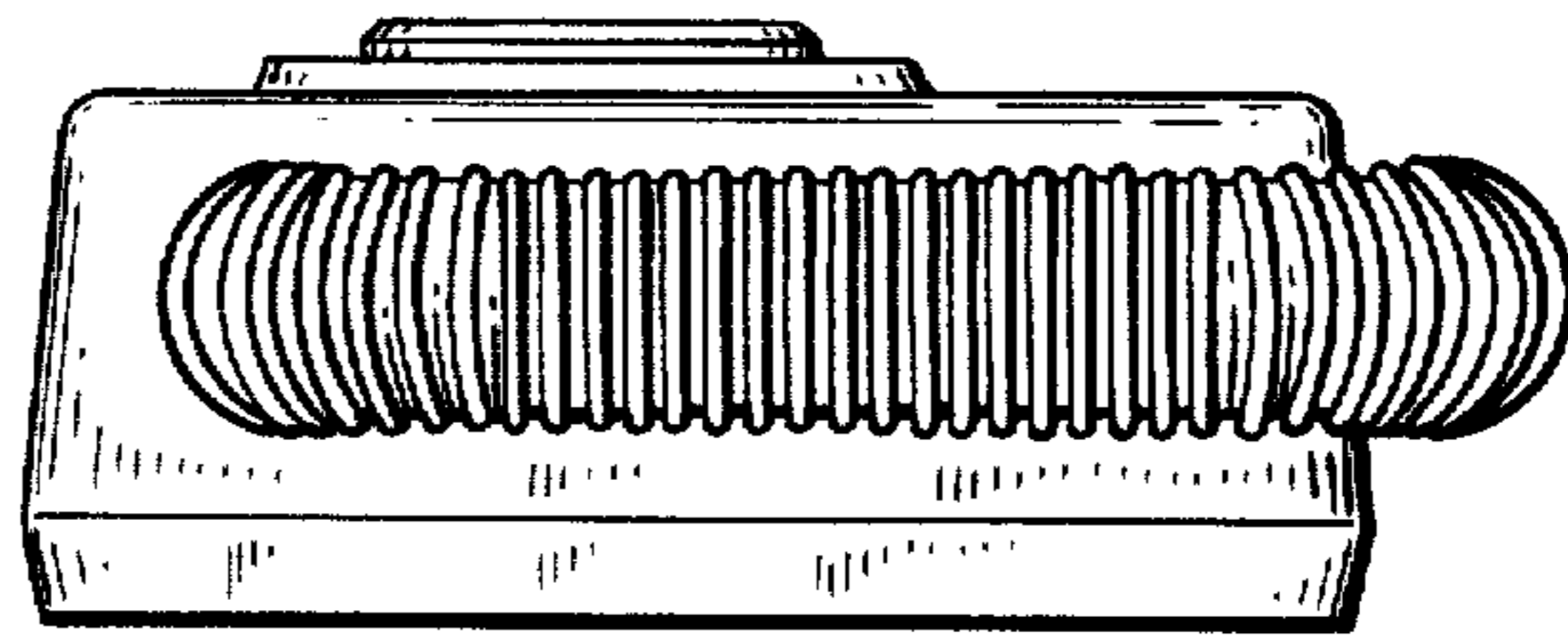


FIG. 5.