

[54] SPA

[75] Inventors: **Gerald C. Fishel**, Anaheim; **Harold E. Cowley**, Garden Grove; **Dean W. Myers**, Santa Ana, all of Calif.

[73] Assignee: **Gerico Fiberglass Products, Inc.**, Huntington Beach, Calif.

[**] Term: **14 Years**

[21] Appl. No.: **198,959**

[22] Filed: **Oct. 20, 1980**

[51] Int. Cl. **D24—01; D23—02; D25—99**

[52] U.S. Cl. **D24/38; D23/55; D25/02**

[58] Field of Search **D24/38; D23/55; D25/02; 128/66, 366; 4/492, 542, 489, 513, 497**

[56] **References Cited**

U.S. PATENT DOCUMENTS

D. 251,016	2/1979	Stangle	D24/38
D. 255,383	6/1980	Beebe et al.	D25/2 X
D. 259,510	6/1981	Reineman	D25/2 X
D. 260,931	9/1981	Reineman	D25/2 X
D. 261,426	10/1981	Reineman	D23/55 X

OTHER PUBLICATIONS

"*Spas by Gerico*", by Gerico Fiberglass Products, Inc., 1978.

Engineer's drawing of the "El Dorado", Spa dated May 10, 1979.

Primary Examiner—Bernard Ansher
Attorney, Agent, or Firm—Knobbe, Martens, et. al.

[57] **CLAIM**

The ornamental design for a spa, as shown and described.

DESCRIPTION

FIG. 1 is a perspective view of a spa showing my new design;
FIG. 2 is another perspective view thereof, taken from a different angle;
FIG. 3 is a plan view thereof;
FIG. 4 is a cross-sectional view thereof, taken along line 4—4 of FIG. 3;
FIG. 5 is a cross-sectional view thereof, taken along line 5—5 of FIG. 3; and
FIG. 6 is an enlarged, fragmentary perspective view of the skimmer of my new design shown separately for clarity of illustration.

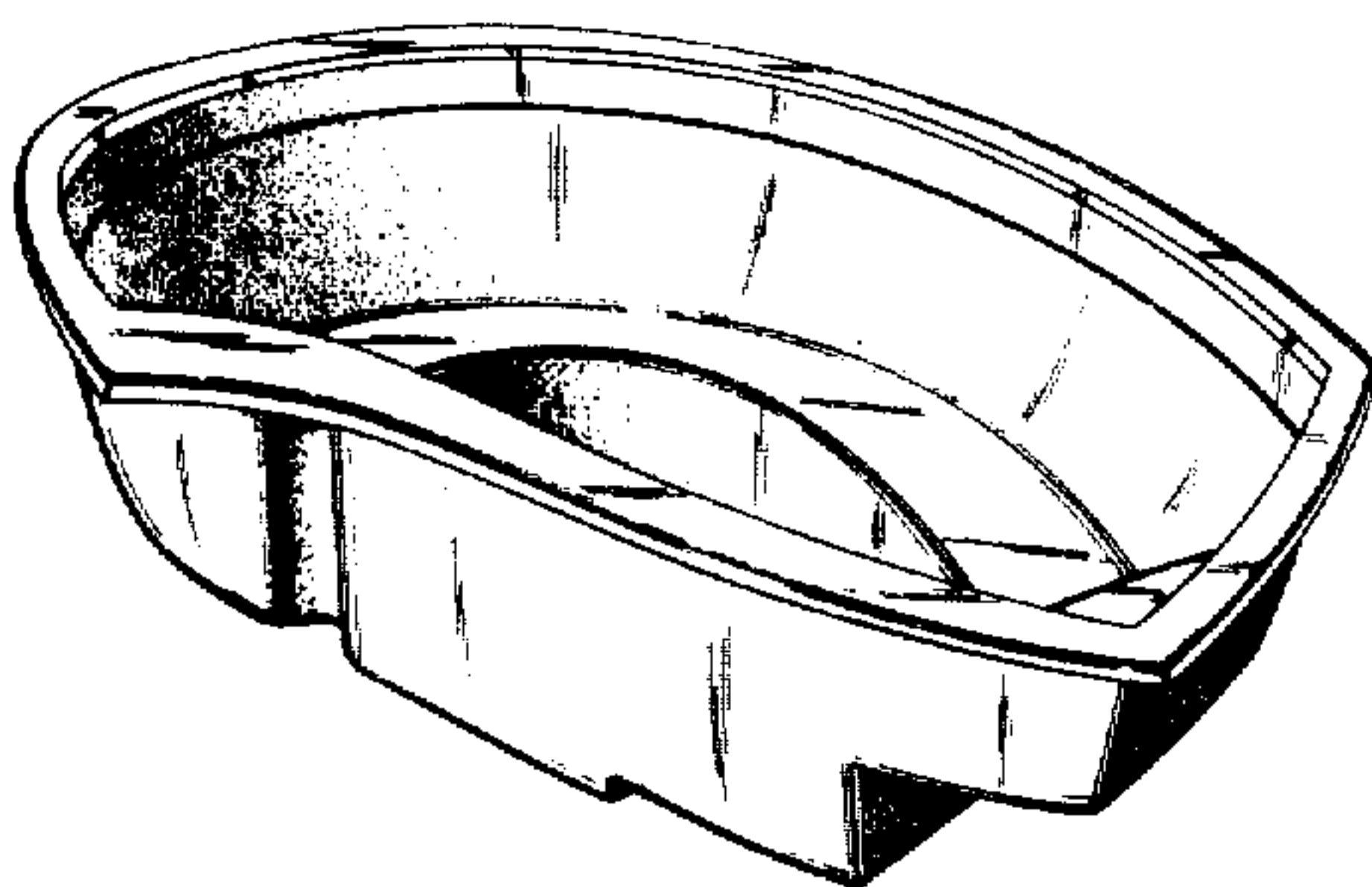
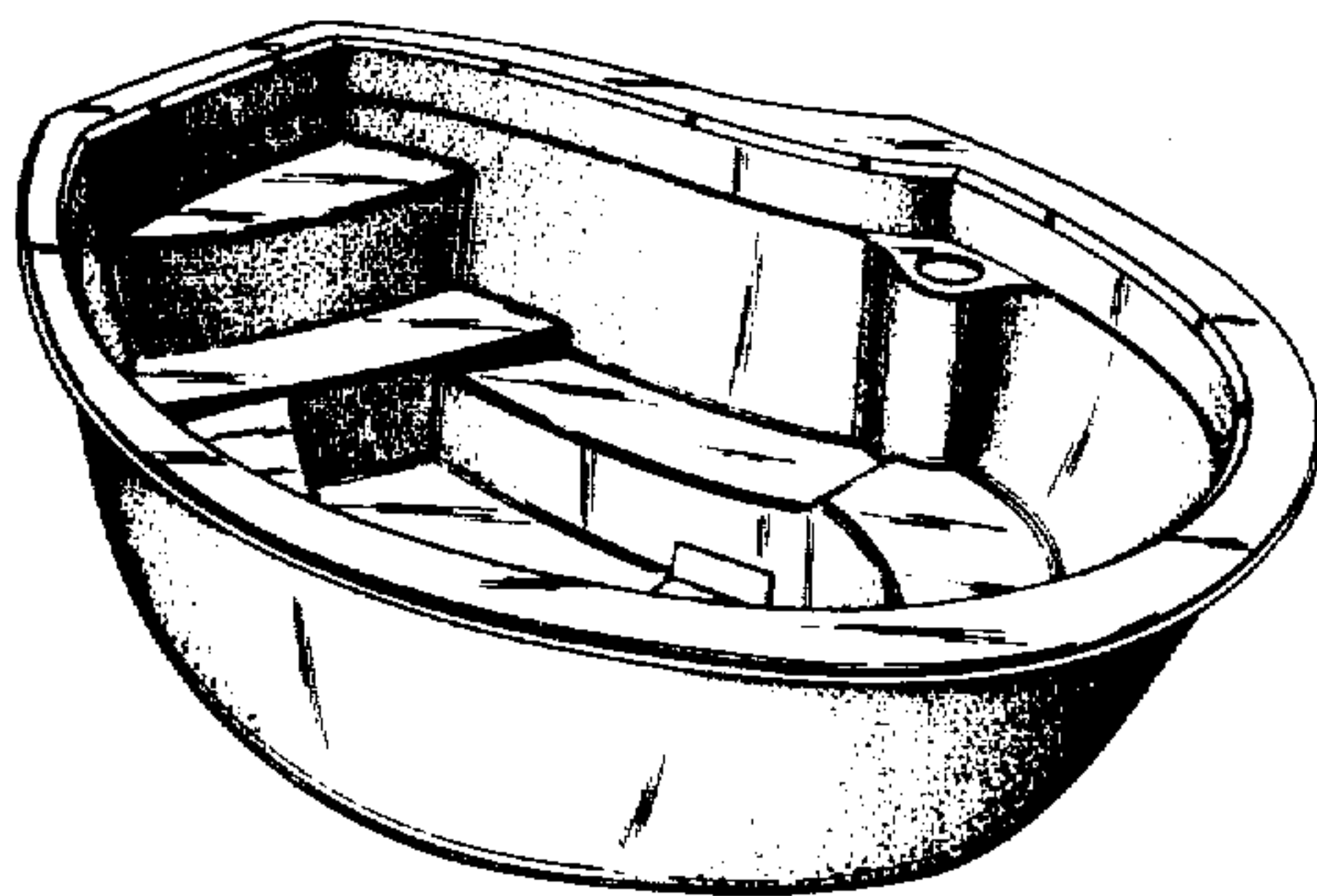


Fig. 1

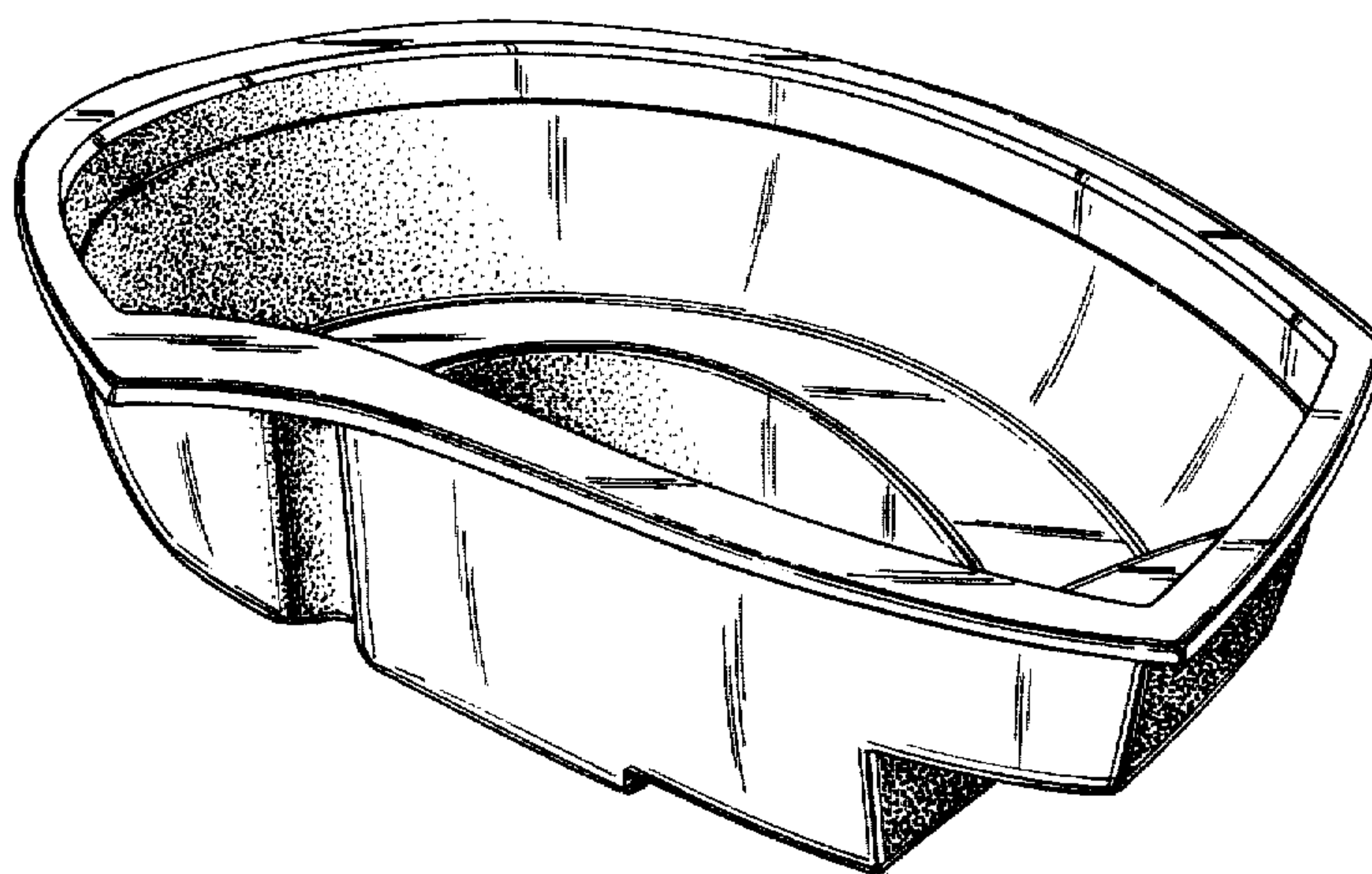
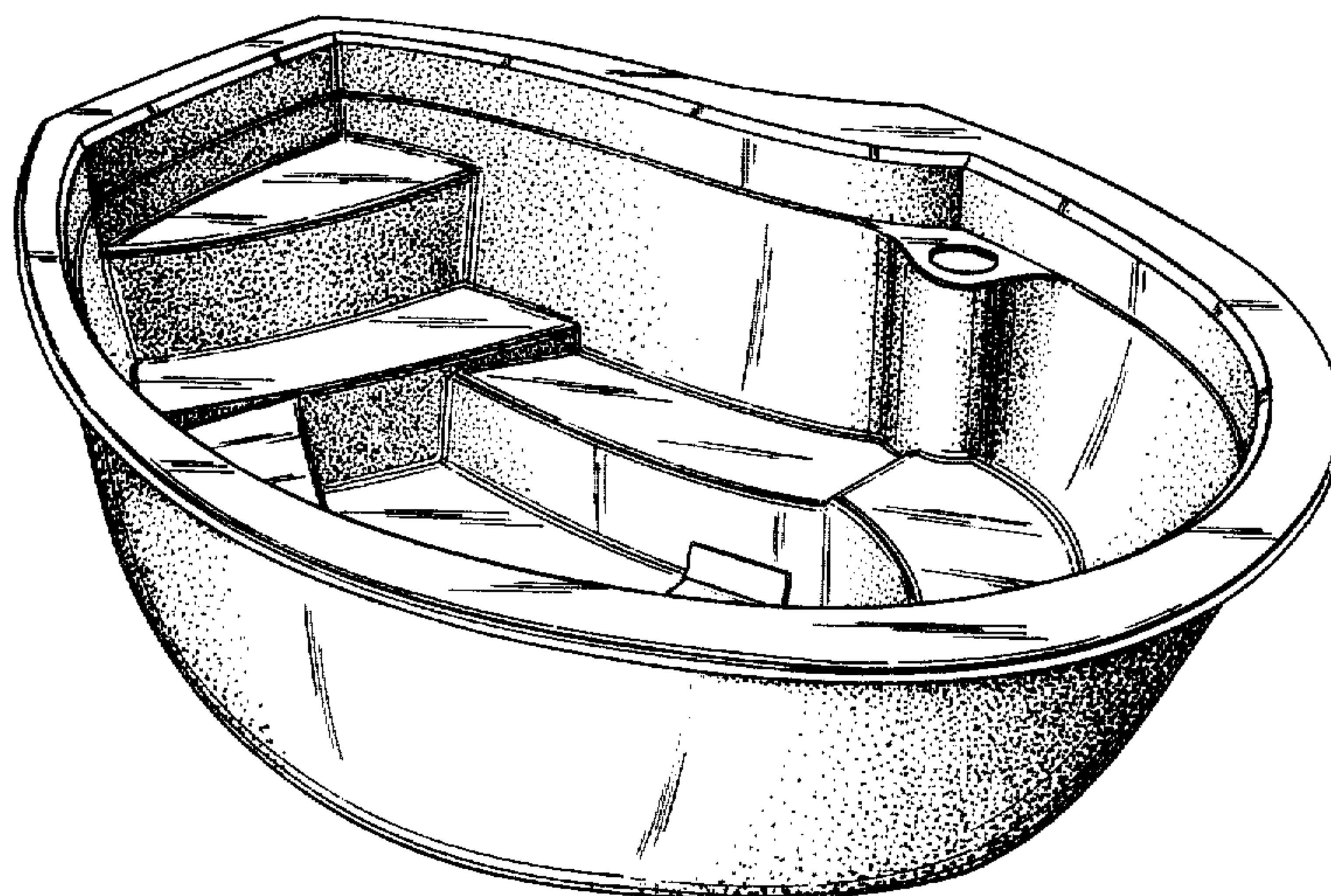


Fig. 2

Fig. 3

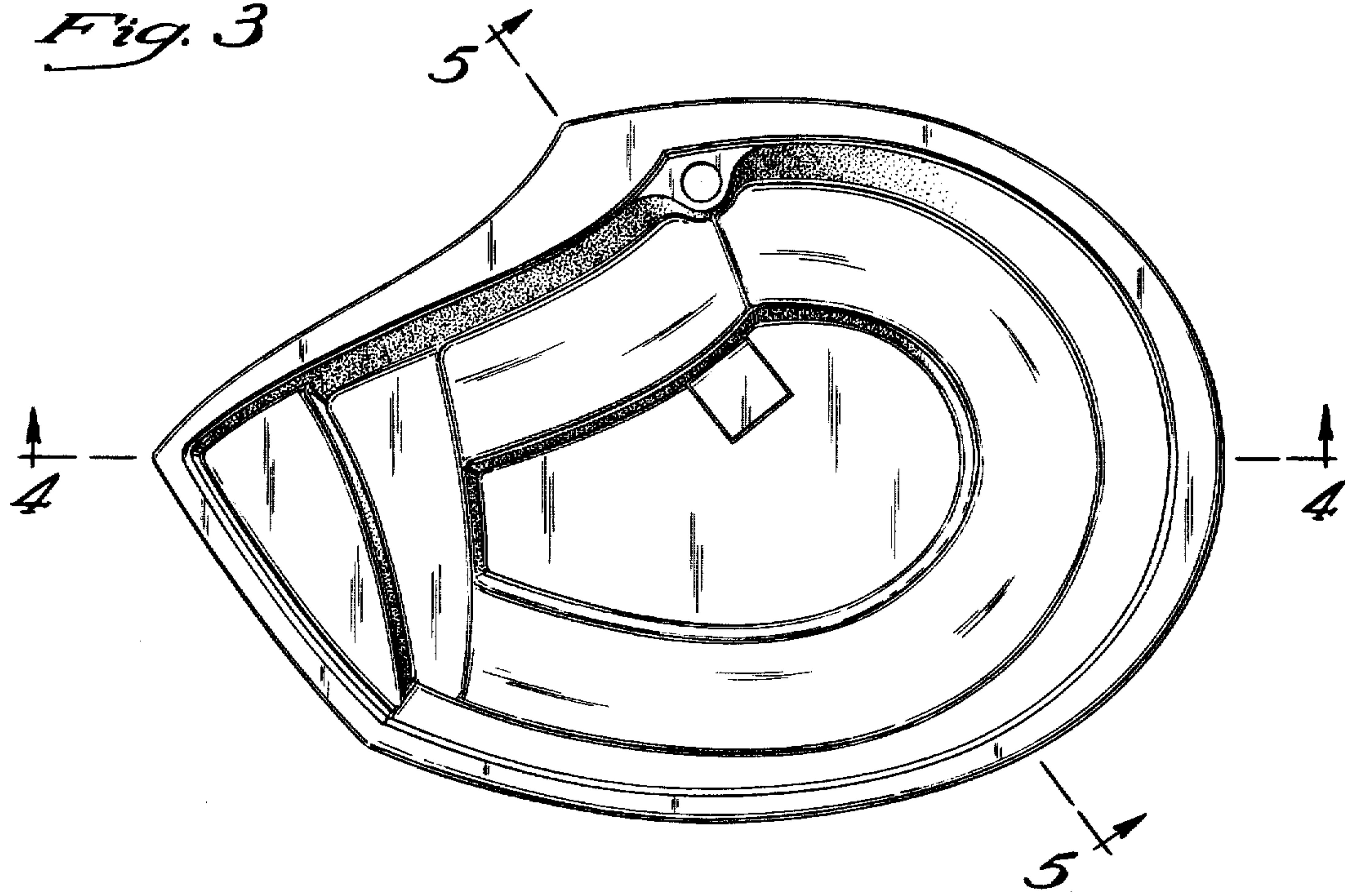


Fig. 4

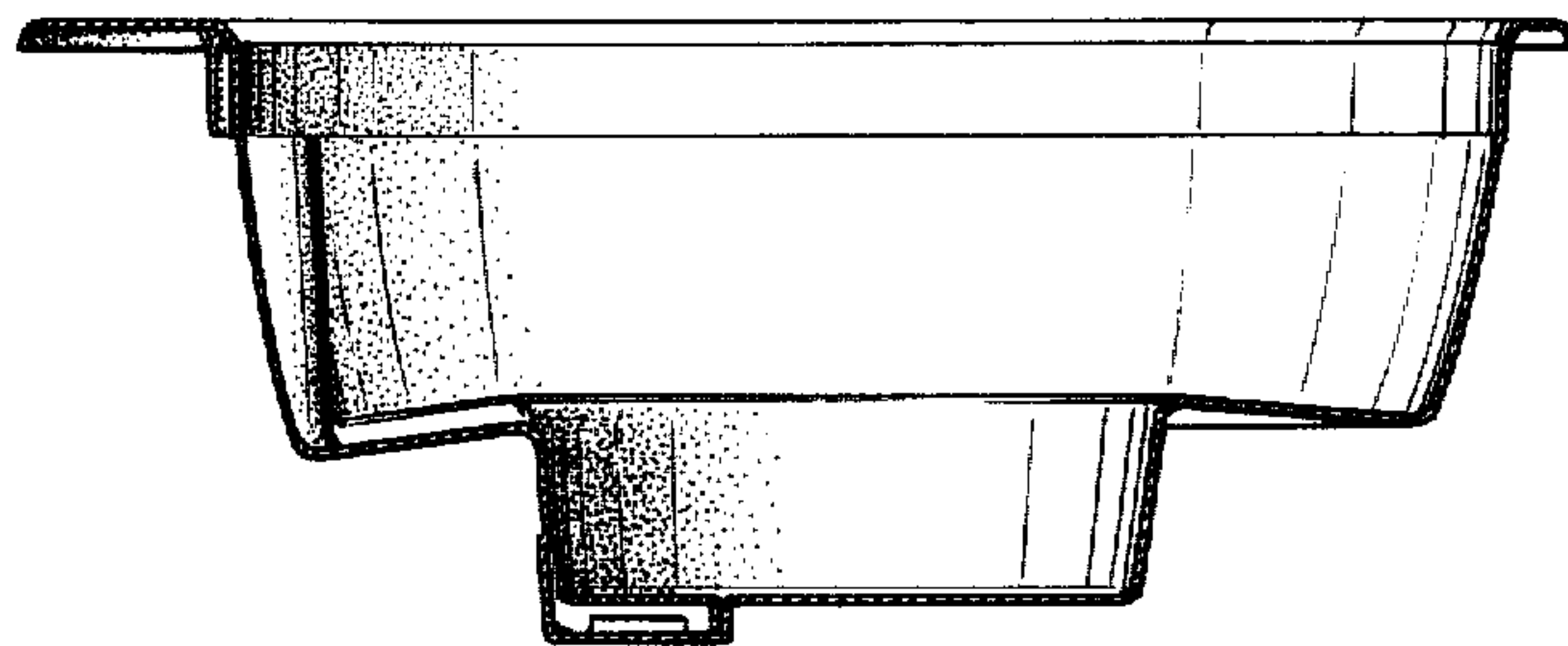
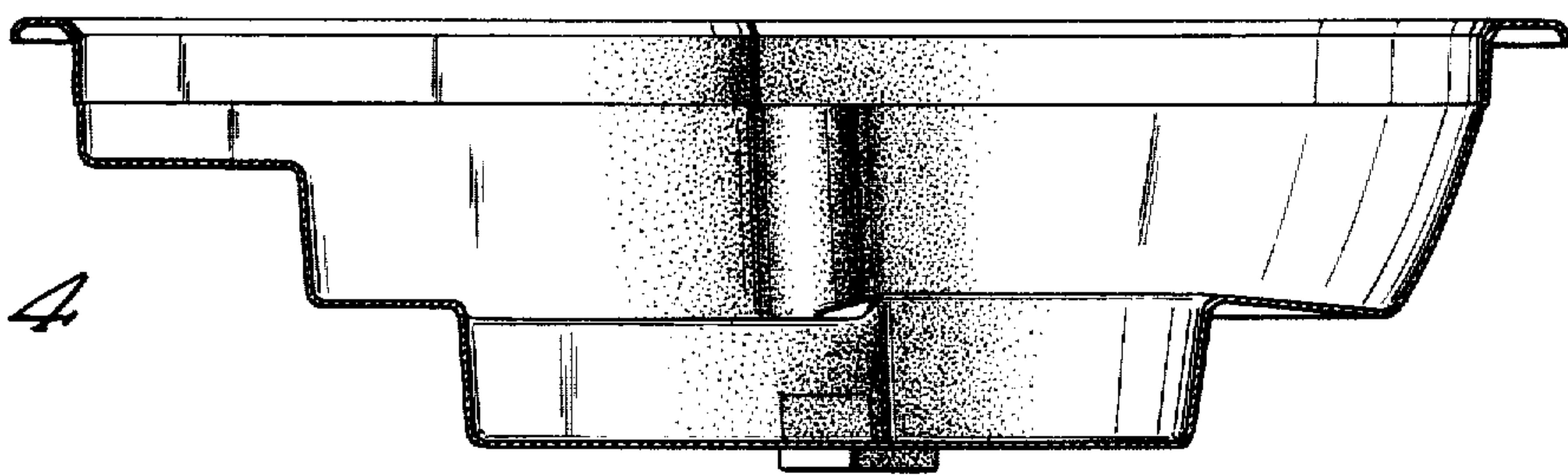


Fig. 5

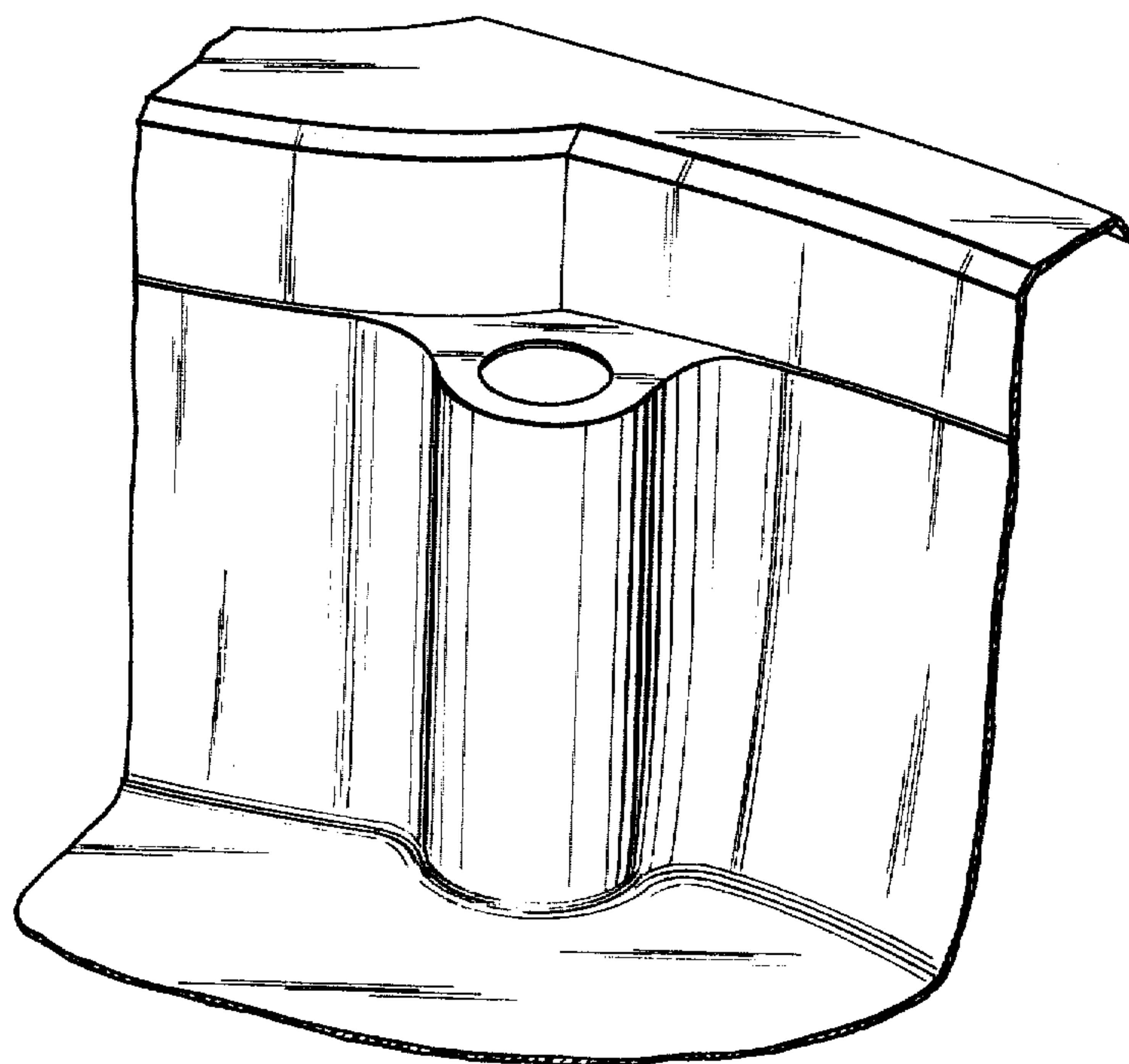


Fig. 6