

[54] **PHYSIOLOGICAL SIGNALS MONITOR/RECORDER OR THE LIKE**
[75] Inventors: **Leslie E. Mace, Bothell; Paul W. Jones, Issaquah; Robert M. Boonstra, Kent, all of Wash.**

D. 253,609 12/1979 Smith et al. D24/17
D. 253,610 12/1979 Smith et al. D24/17
D. 256,616 8/1980 Stuckelman D24/17
D. 262,571 1/1982 Francis D24/17
3,978,491 8/1976 Lenhart et al. 128/710 X
4,006,737 2/1977 Cherry 128/711

[73] Assignee: **Physio-Control Corporation, Redmond, Wash.**

Primary Examiner—Bernard Ansher
Attorney, Agent, or Firm—Christensen, O'Connor, Johnson & Kindness

[**] Term: **14 Years**

[57] **CLAIM**

[21] Appl. No.: **244,920**

The ornamental design for a physiological signals monitor/recorder or the like, as shown.

[22] Filed: **Mar. 18, 1981**

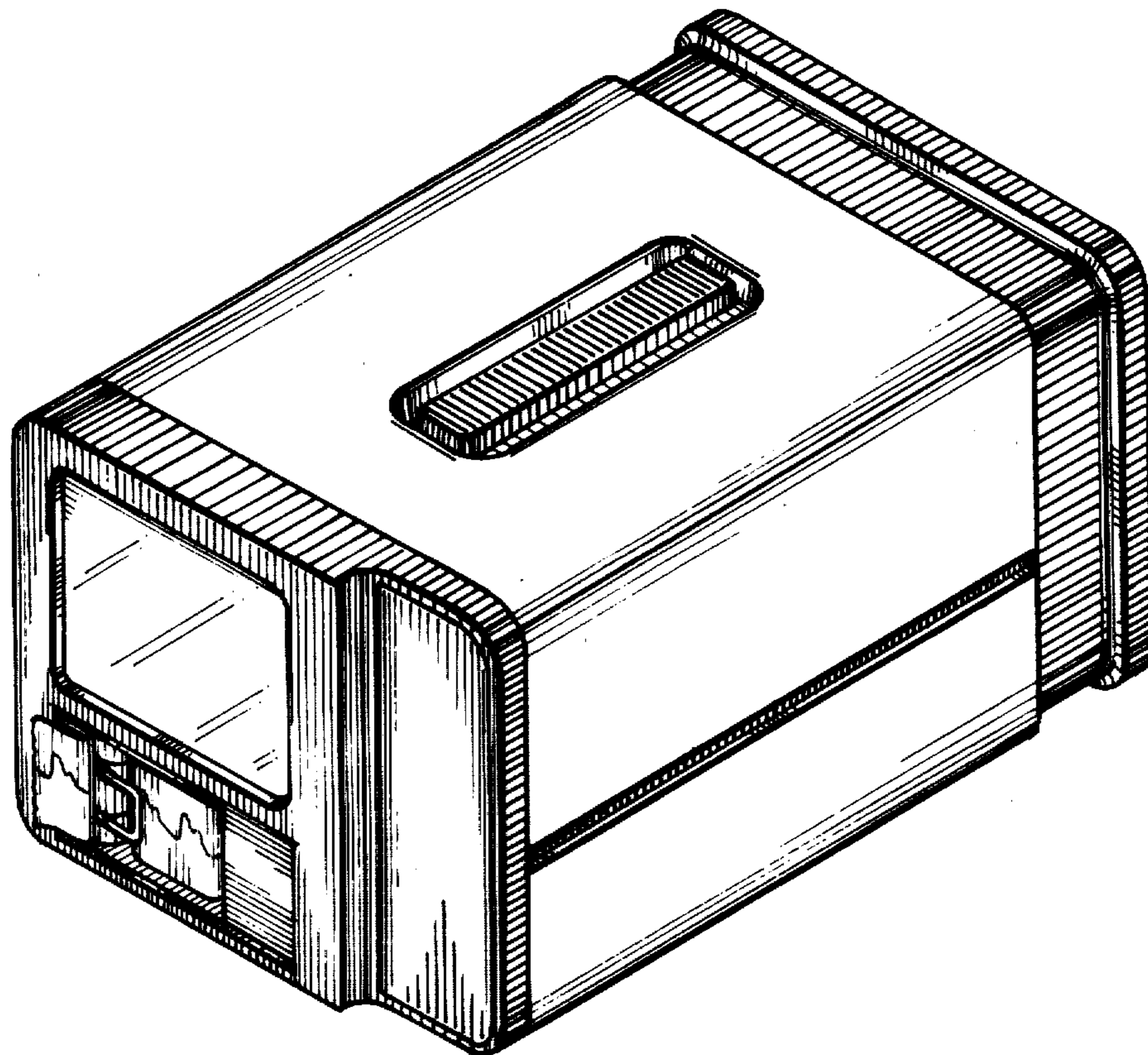
DESCRIPTION

[51] Int. Cl. **D24—01; D24—02**
[52] U.S. Cl. **D24/17; D24/8**
[58] Field of Search **D24/8, 17; 128/710, 128/711, 419 P, 419 D, 419 N**

FIG. 1 is a front perspective view of a physiological signals monitor/recorder or the like showing our new design;
FIG. 2 is a front elevational view thereof;
FIG. 3 is a right side elevational view thereof;
FIG. 4 is a top plan view thereof;
FIG. 5 is a left side elevational view thereof; and
FIG. 6 is a rear elevational view thereof.

[56] **References Cited**
U.S. PATENT DOCUMENTS

D. 253,608 12/1979 Smith et al. D24/8



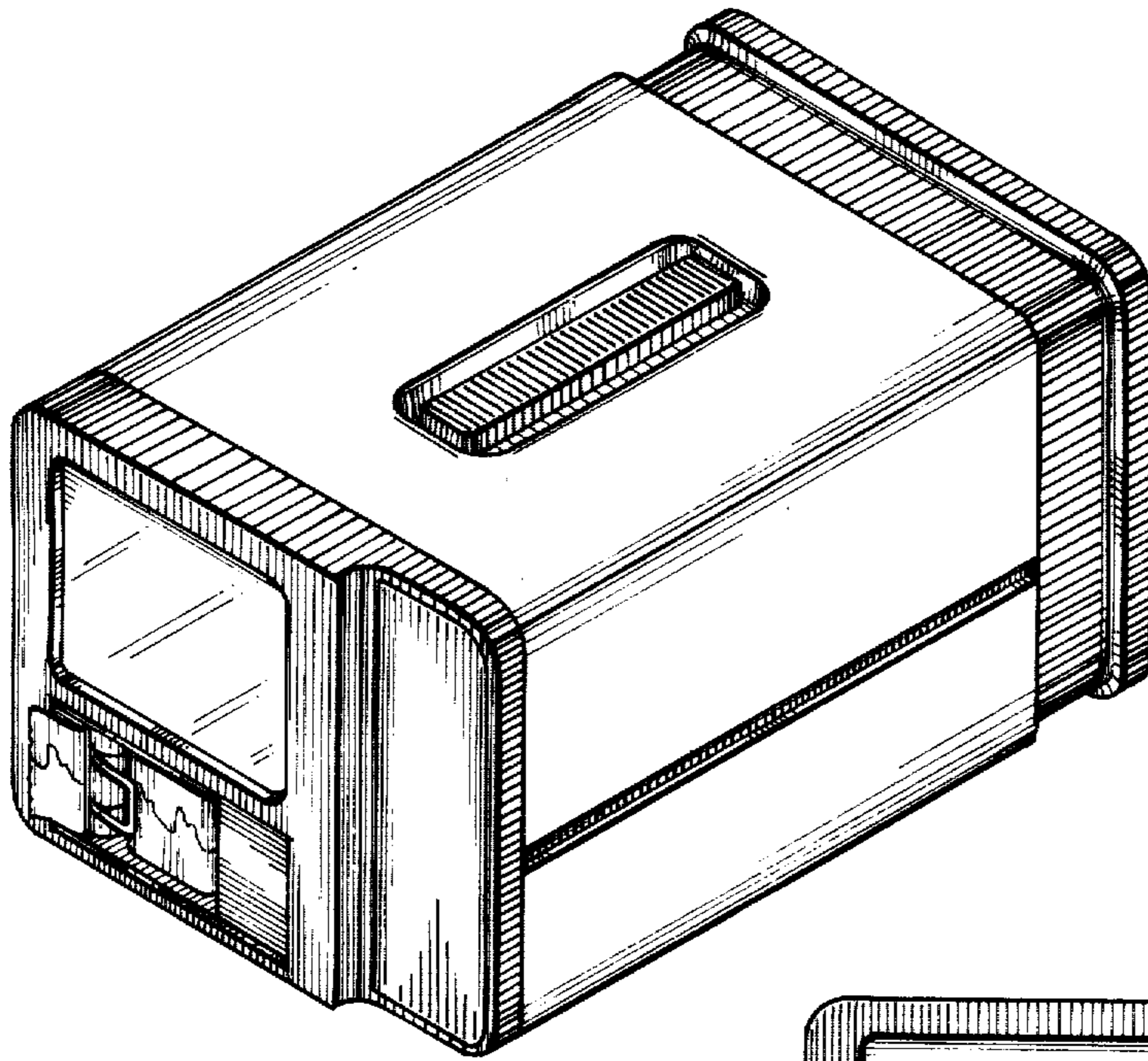


Fig. 1.

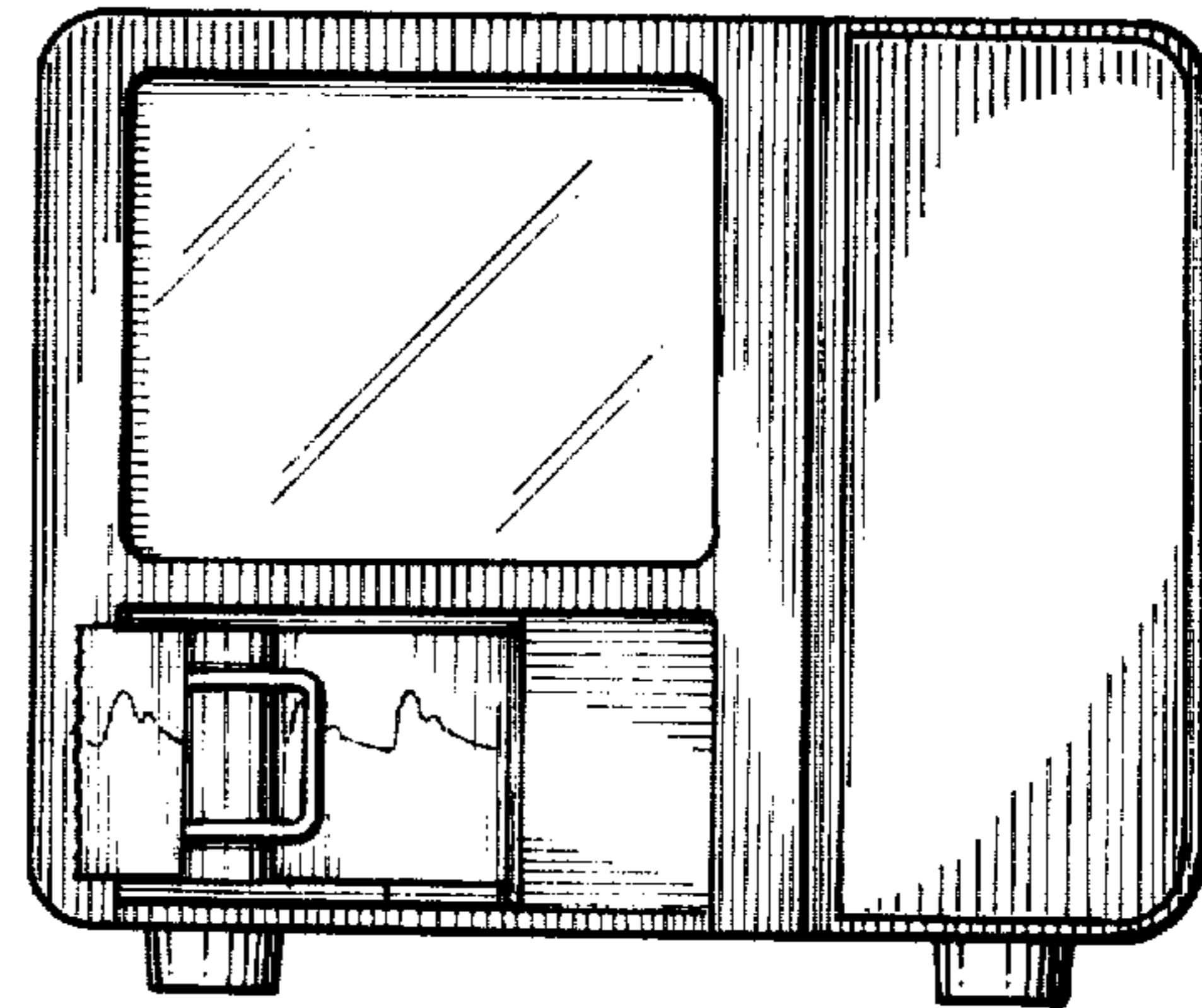


Fig. 2.

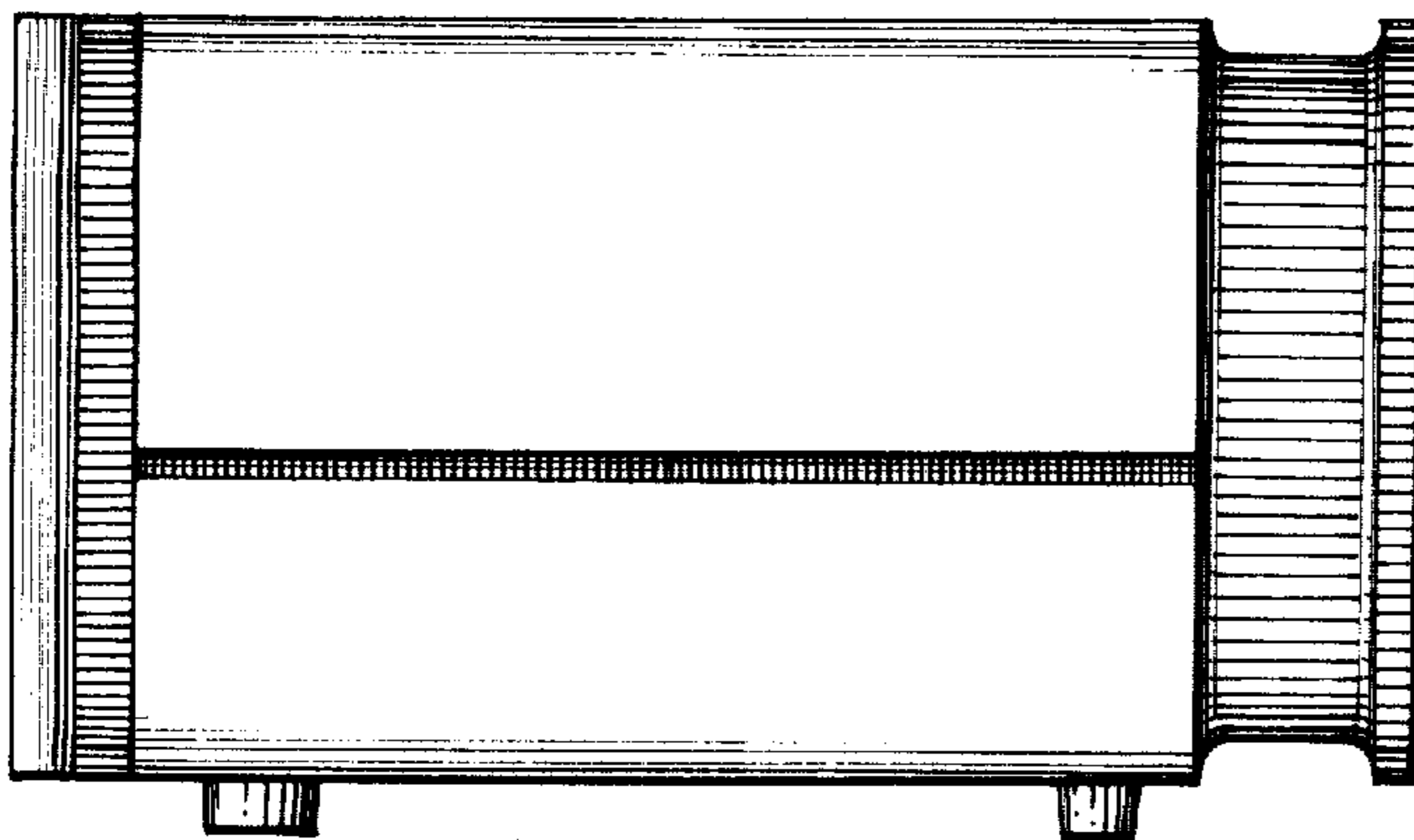


Fig. 3.

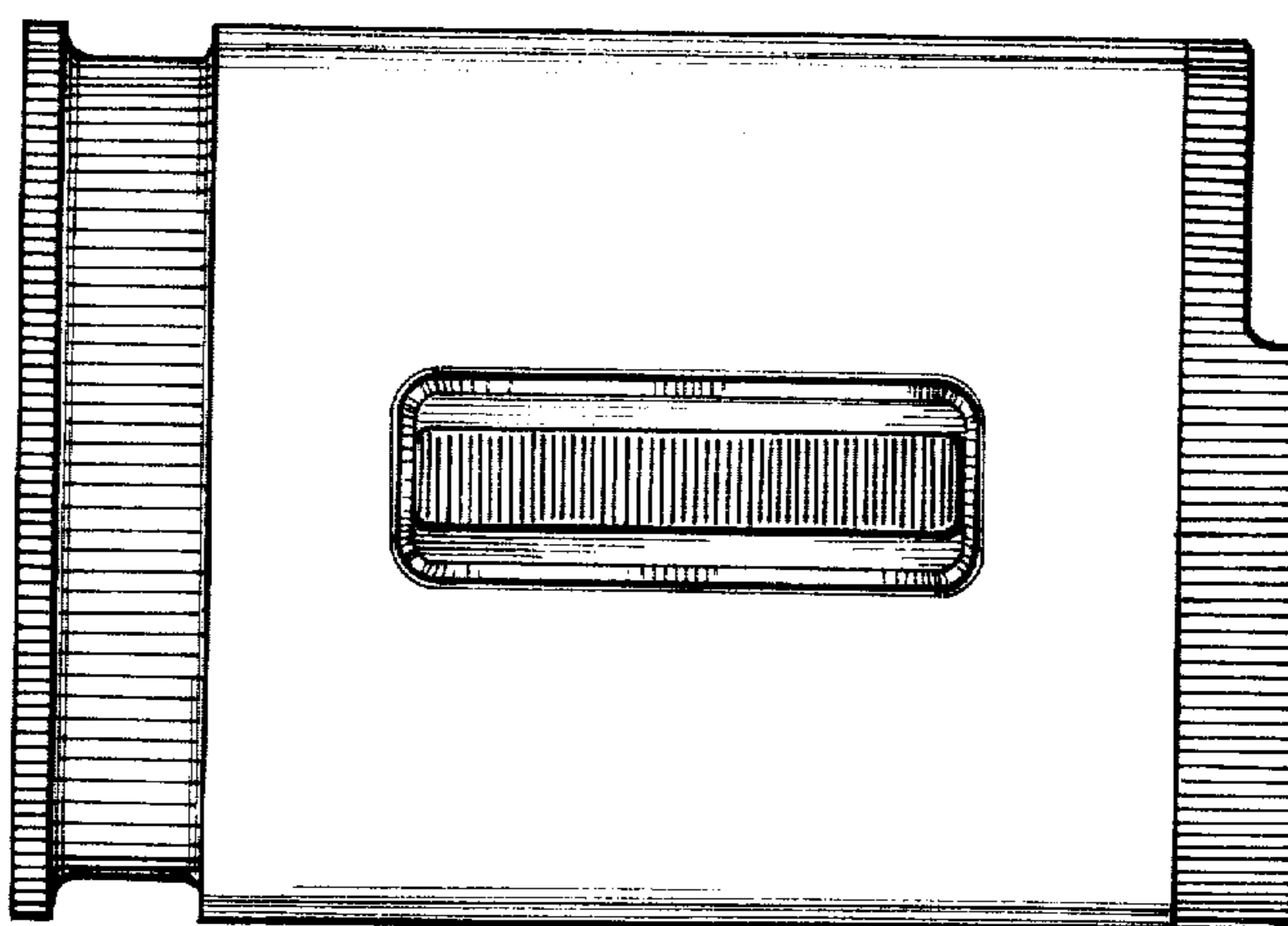


Fig. 4.

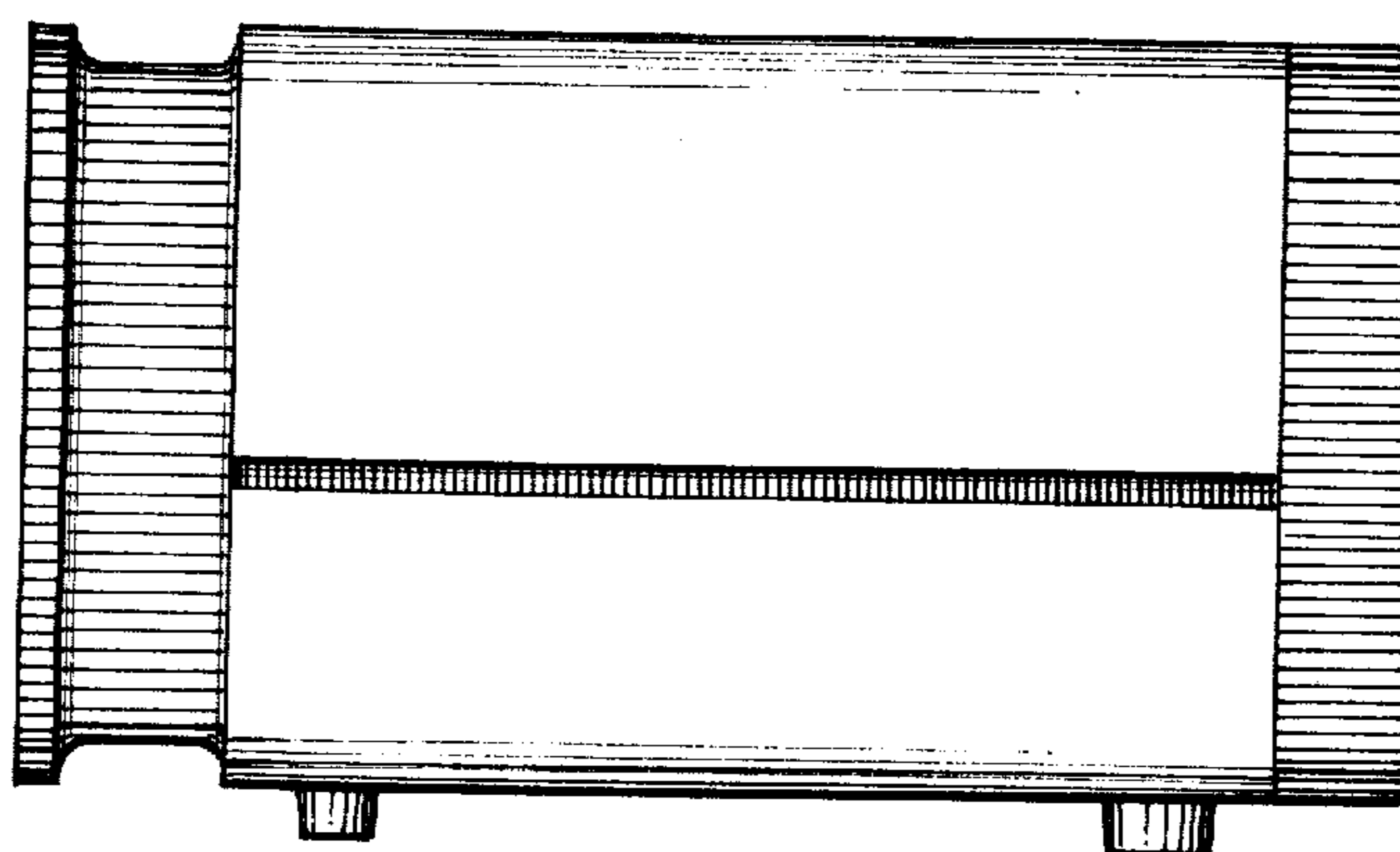


Fig. 5.

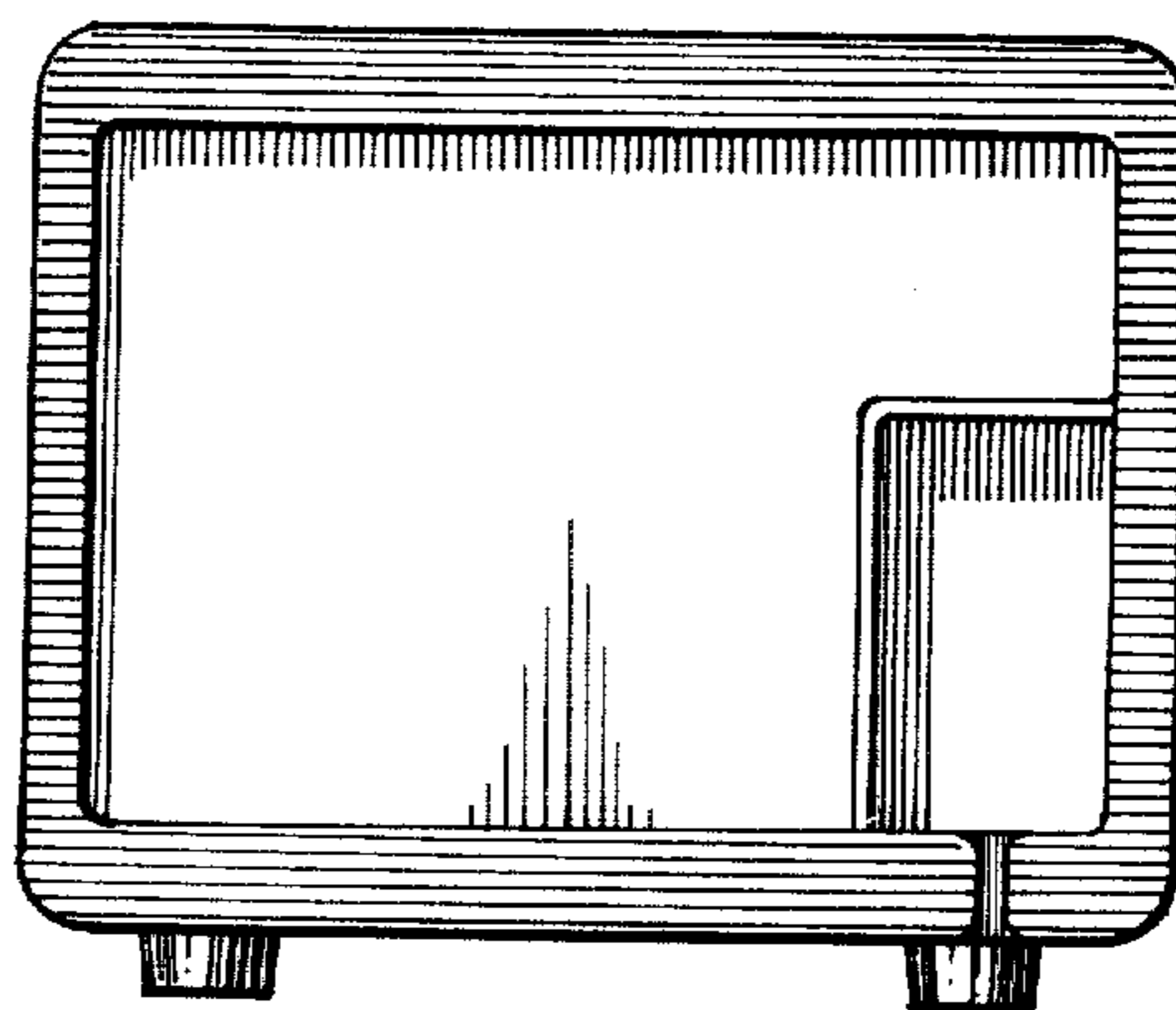


Fig. 6.