

[54] **COMBINED PORTABLE VENT AND SUPPORT FOR A CLOTHES DRYER**

[76] Inventor: **Charles W. Chadd**, 13119 Hermitage La., Houston, Tex. 77009

[**] Term: **14 Years**

[21] Appl. No.: **181,195**

[22] Filed: **Aug. 25, 1980**

[51] Int. Cl. **D23-04**

[52] U.S. Cl. **D23/151**

[58] Field of Search **D23/151-154, D23/163-167; D32/8, 25; 98/116, 119**

[56] **References Cited**
U.S. PATENT DOCUMENTS
 D. 183,308 8/1958 Grasmehr D32/25

D. 214,501 6/1969 Eklund D23/151
 925,762 6/1909 Eager D23/152 X
 3,171,343 3/1965 Wexler 98/119
 3,842,722 10/1974 Miller 98/122 X
 4,237,621 12/1980 Boismenu 98/119 X
 4,334,461 6/1982 Ferguson et al. 98/119

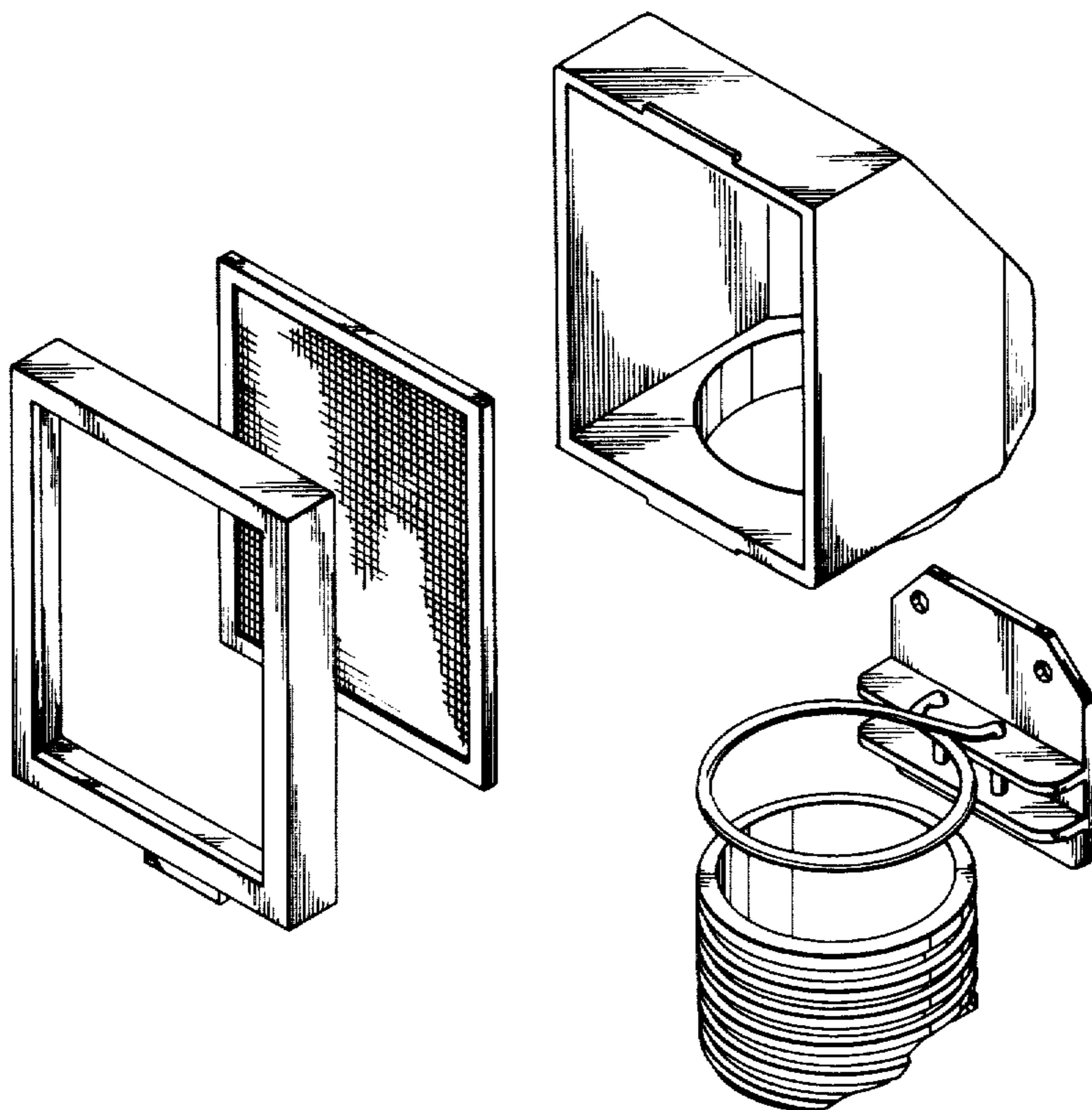
Primary Examiner—James R. Largen

[57] **CLAIM**

The ornamental design for a combined portable vent and support for a clothes dryer, as shown and described.

DESCRIPTION

FIG. 1 is a perspective view of a combined portable vent and support for a clothes dryer showing my new design; FIG. 2 is an exploded perspective view thereof; and FIG. 3 is a perspective view taken from the top, rear and left side thereof.



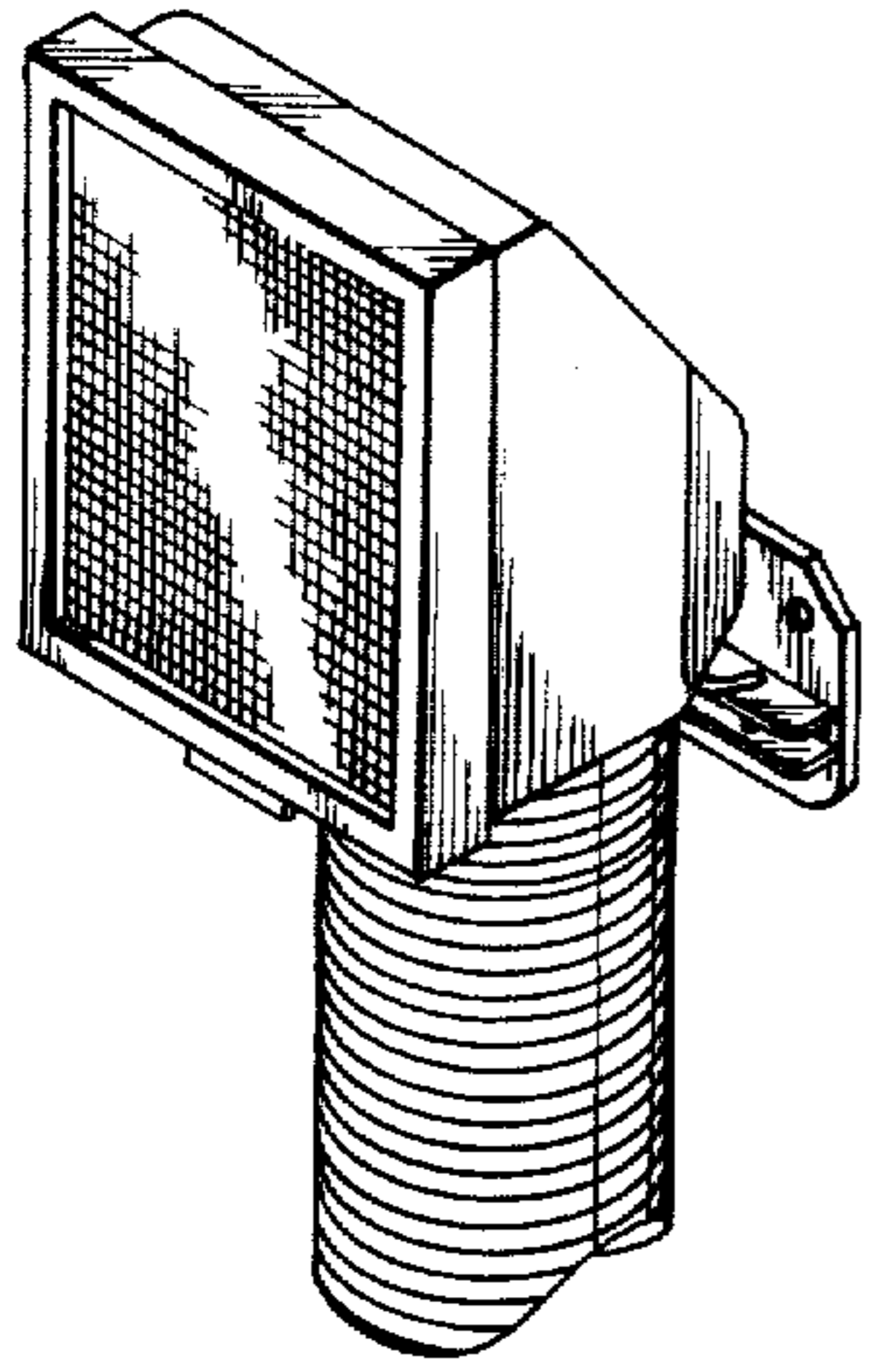


fig.1

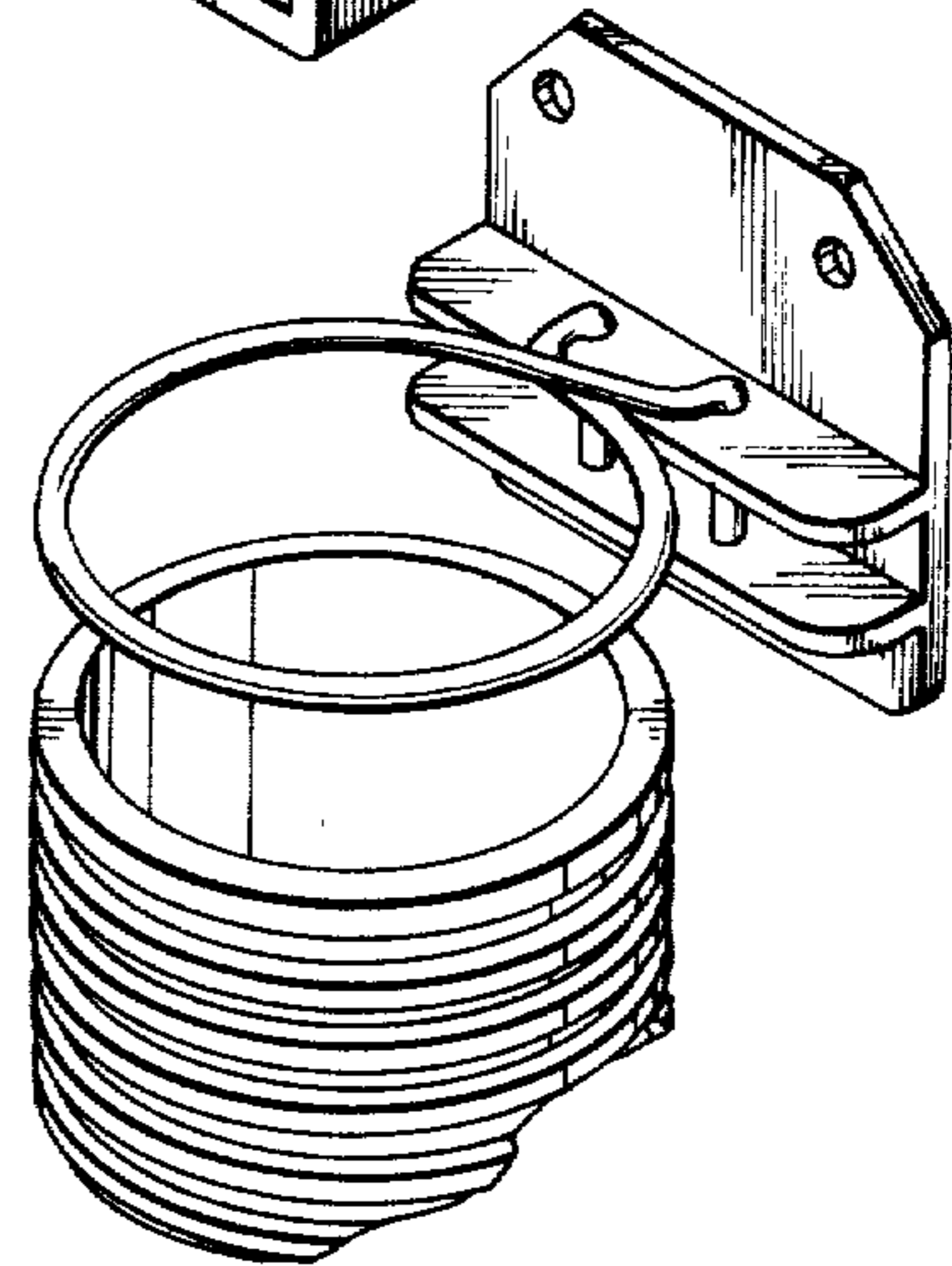
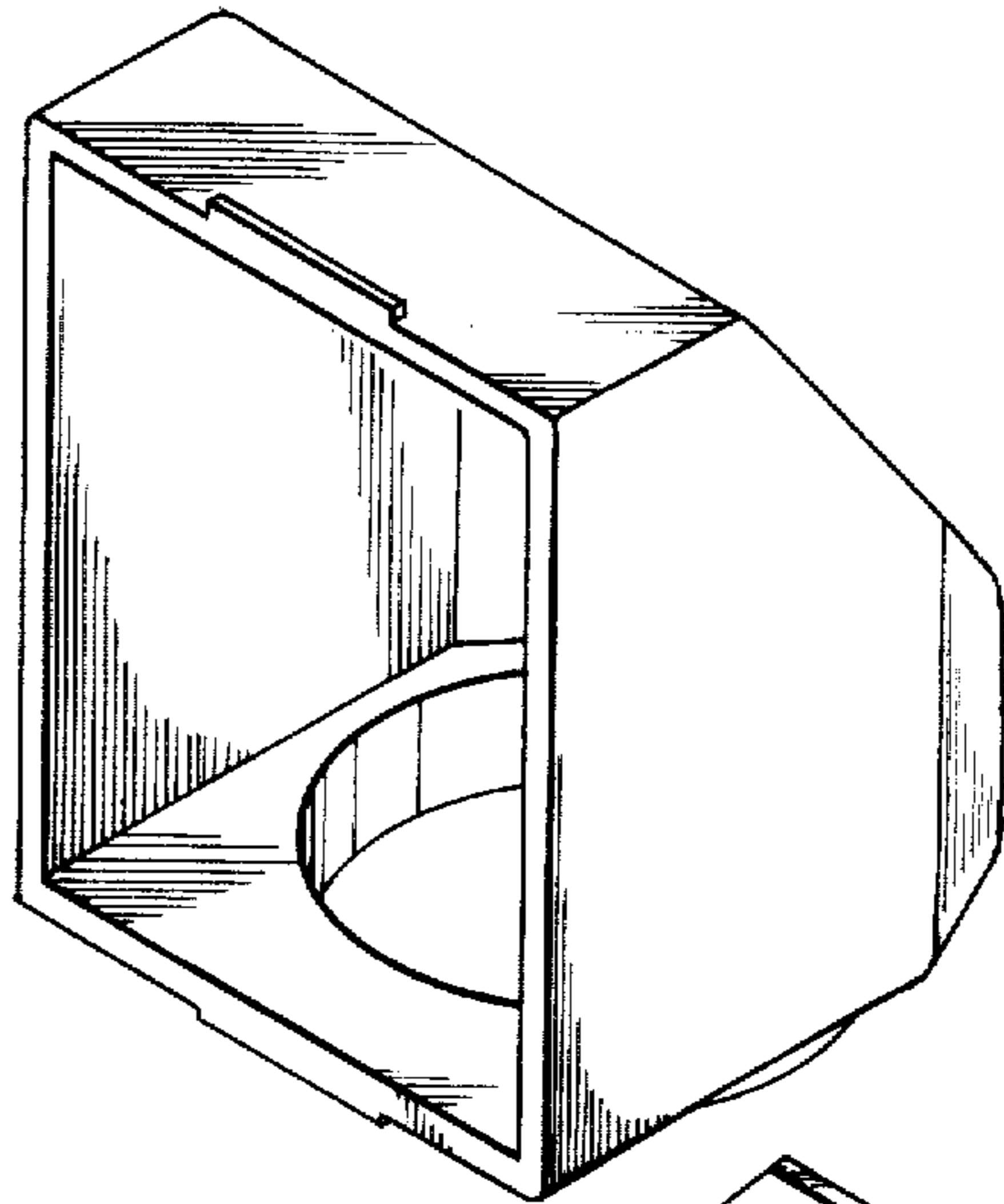
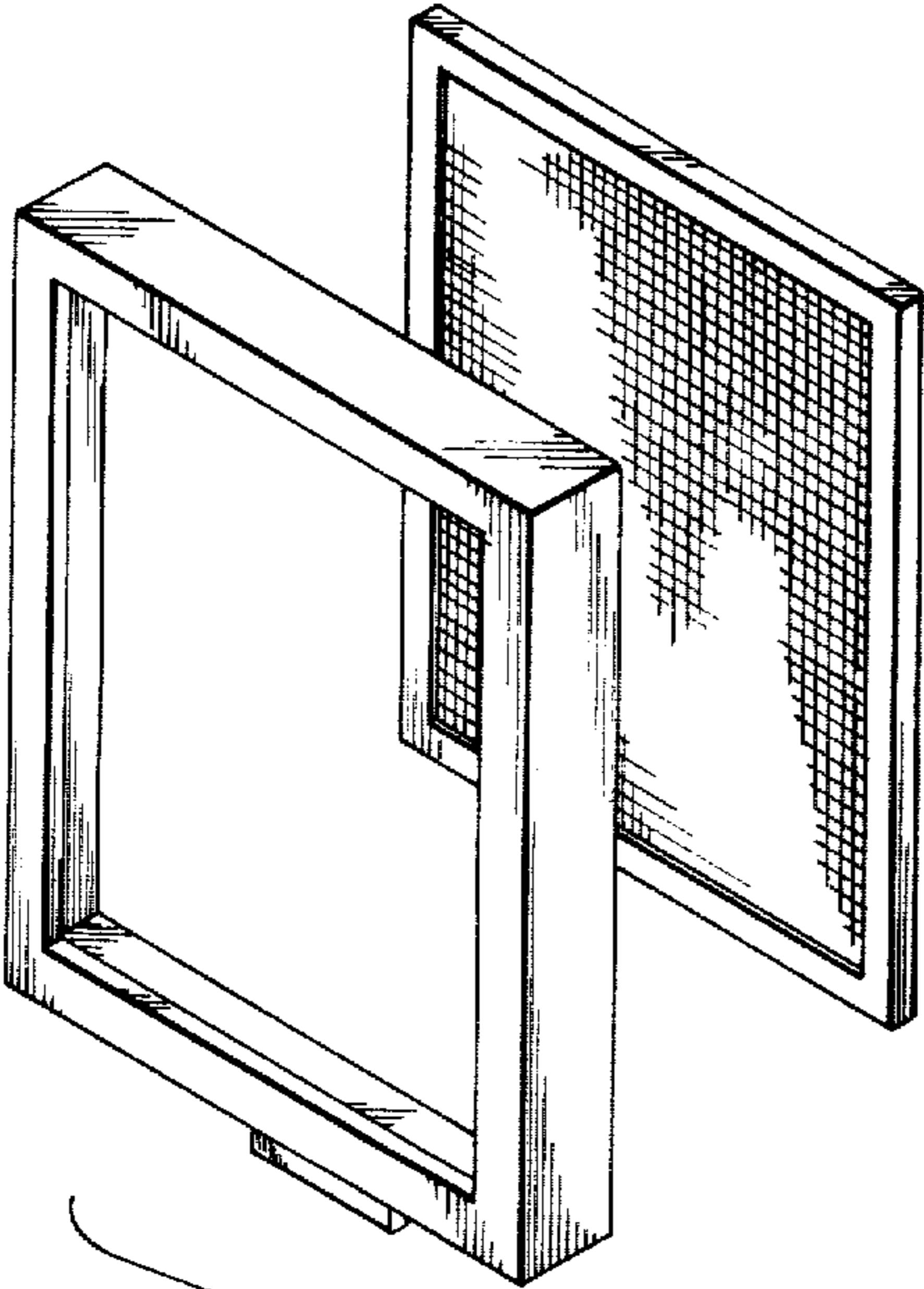


fig.2

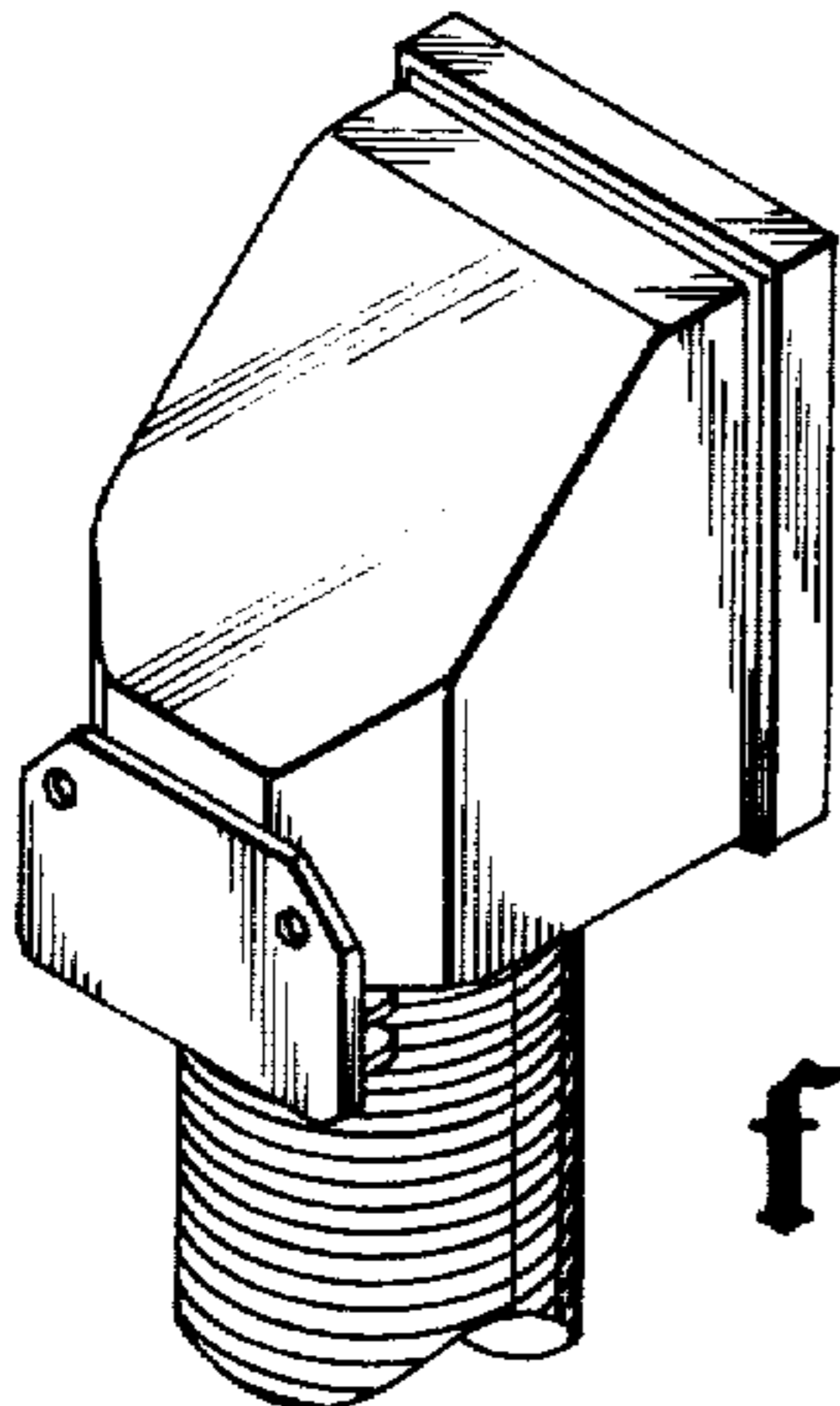


fig.3