

- [54] **AIR PRE-COOLER UNIT FOR AIR CONDITIONERS OR THE LIKE**
- [75] Inventors: **William E. Morrow; Robert B. Morrow**, both of Winston-Salem, N.C.
- [73] Assignee: **Aqua-Mist, Inc.**, Winston-Salem, N.C.
- [**] Term: **14 Years**
- [21] Appl. No.: **283,840**
- [22] Filed: **Jul. 16, 1981**
- [51] Int. Cl. **D23-04**
- [52] U.S. Cl. **D23/139**
- [58] Field of Search **D23/139-151; 62/171, 305**

D. 244,294	5/1977	Glasoe	D23/153
D. 253,845	1/1980	Morrow	D23/147
D. 253,846	1/1980	Morrow	D23/147
D. 256,388	8/1980	Harrell	D23/139
D. 258,757	3/1981	Jordan	D23/139
D. 259,206	5/1981	Parren	D23/139
D. 261,421	10/1981	Morrow	D23/147
4,212,172	7/1980	Manno	62/305
4,353,219	10/1982	Patrick, Jr.	62/305 X

Primary Examiner—James R. Largen
Attorney, Agent, or Firm—Mason, Fenwick & Lawrence

[57] **CLAIM**

The ornamental design for an air pre-cooler unit for air conditioners or the like, as shown and described.

DESCRIPTION

FIG. 1 is a perspective view taken from the top, front and right side of an air pre-cooler unit for air conditioners or the like showing my new design; FIG. 2 is a perspective view taken from the bottom, rear and left side thereof; and FIG. 3 is a top plan view thereof.

- [56] **References Cited**
U.S. PATENT DOCUMENTS
 D. 213,695 4/1969 Soroos D23/139

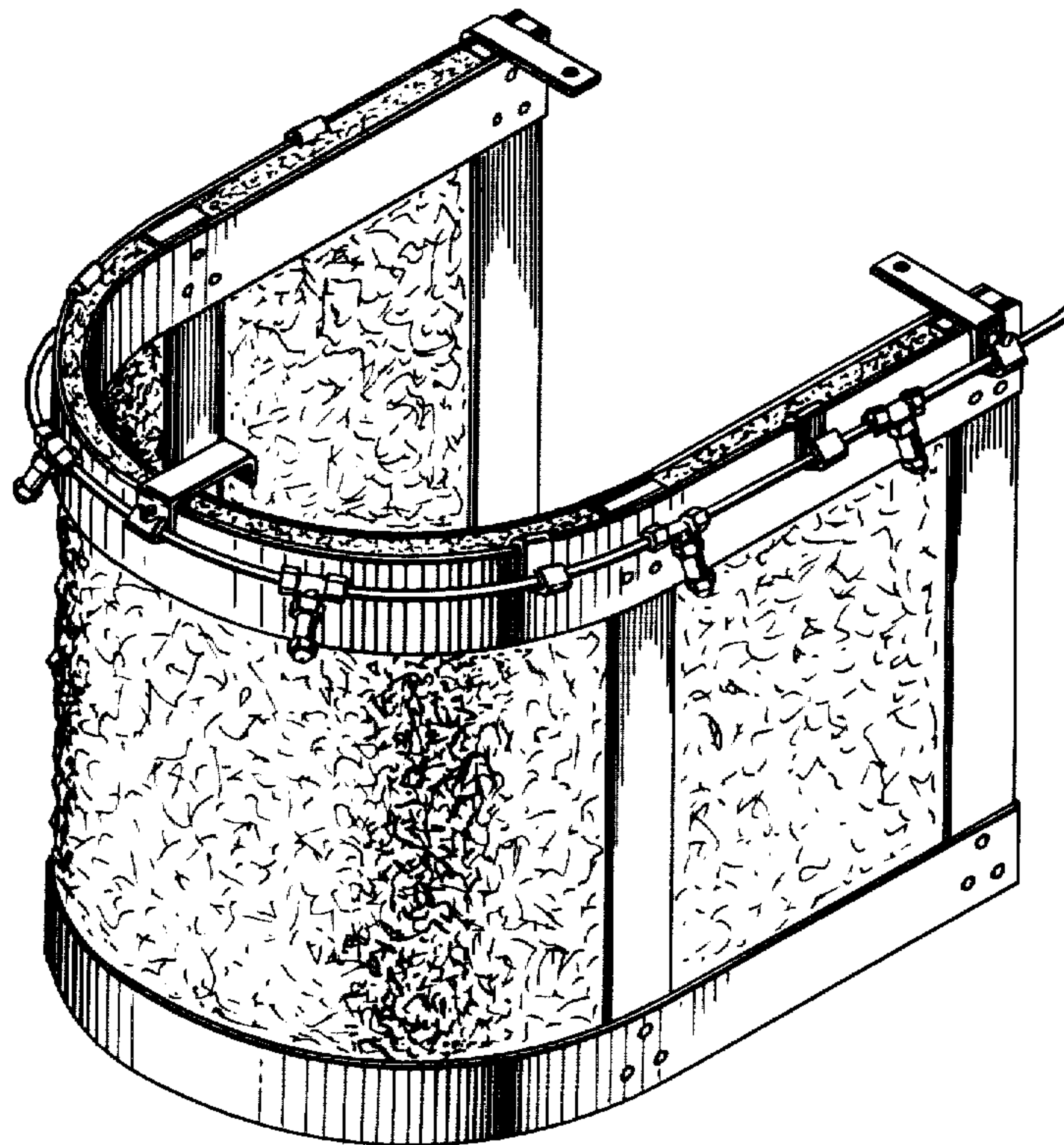


Fig-1

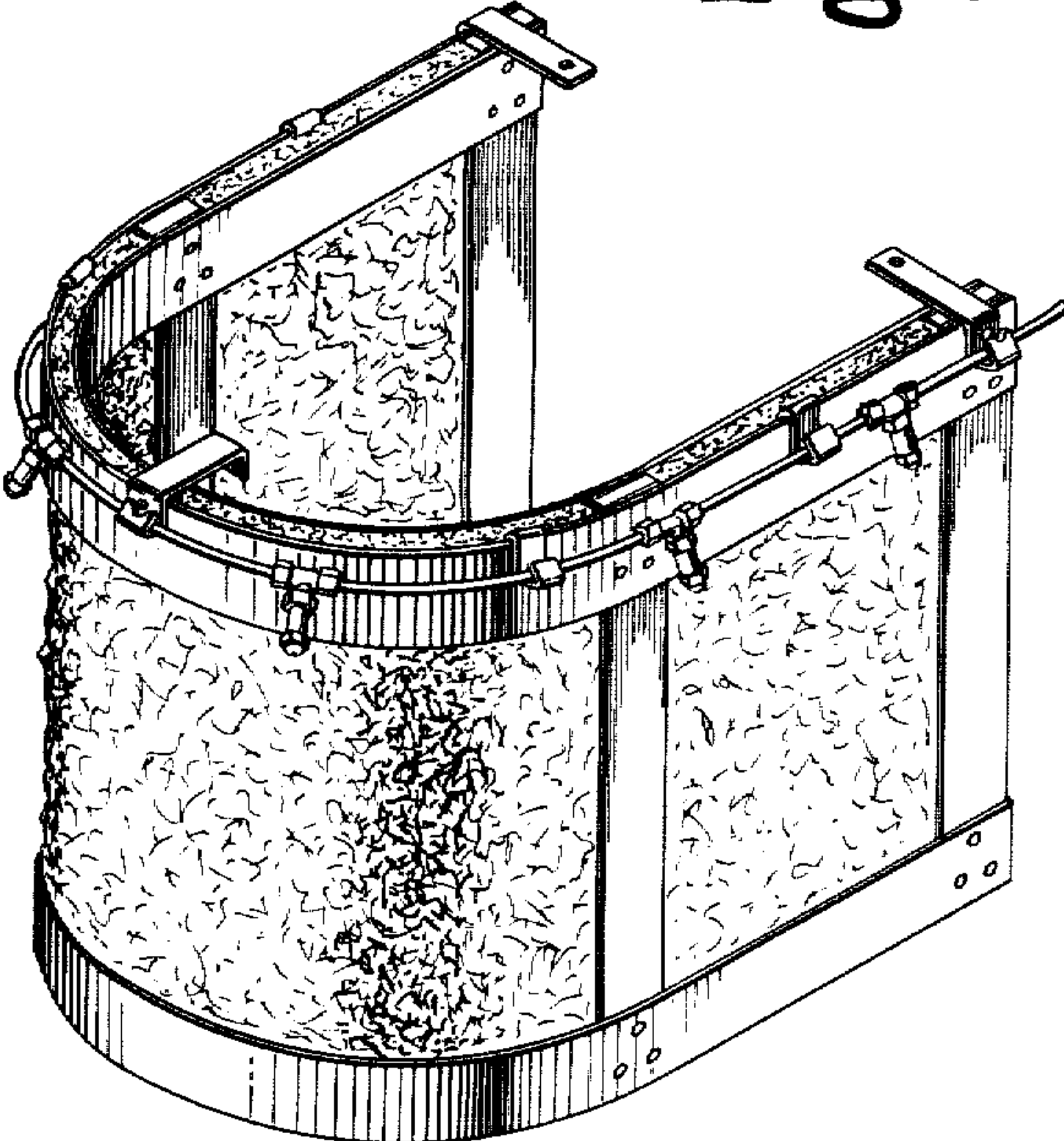


Fig-2

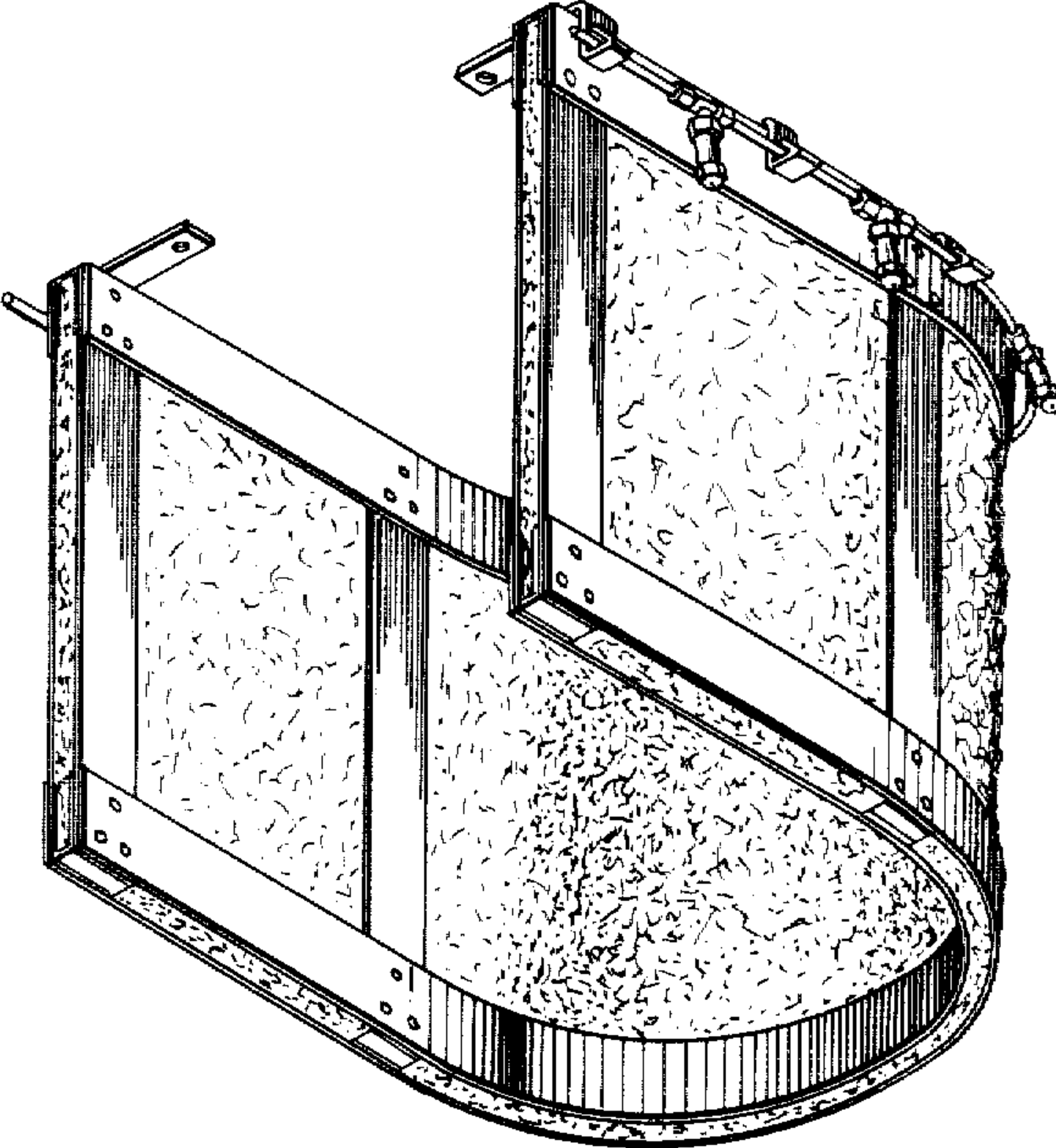


Fig-3

