

[54] **FIREPLACE GRATE**

[76] Inventor: **David Anderson**, 1311 E. Main St., St. Charles, Ill. 60174

[\*\*] Term: **14 Years**

[21] Appl. No.: **221,985**

[22] Filed: **Jan. 2, 1981**

[51] Int. Cl. .... **D23—03**

[52] U.S. Cl. .... **D23/95**

[58] Field of Search ..... **D23/92, 97, 138.2, 138.3, D23/138.4, 138.5; 126/120, 121, 163, 164, 165**

[56] **References Cited**

**U.S. PATENT DOCUMENTS**

D. 254,388 3/1980 Chesnut et al. .... **D23/96 X**

*Primary Examiner*—Catherine E. Kemper  
*Attorney, Agent, or Firm*—Basil E. Demeur

[57] **CLAIM**

The ornamental design for a fireplace grate, as shown and described.

**DESCRIPTION**

FIG. 1 is a front perspective view of a fireplace grate, showing my new design;

FIG. 2 is a rear perspective view thereof.

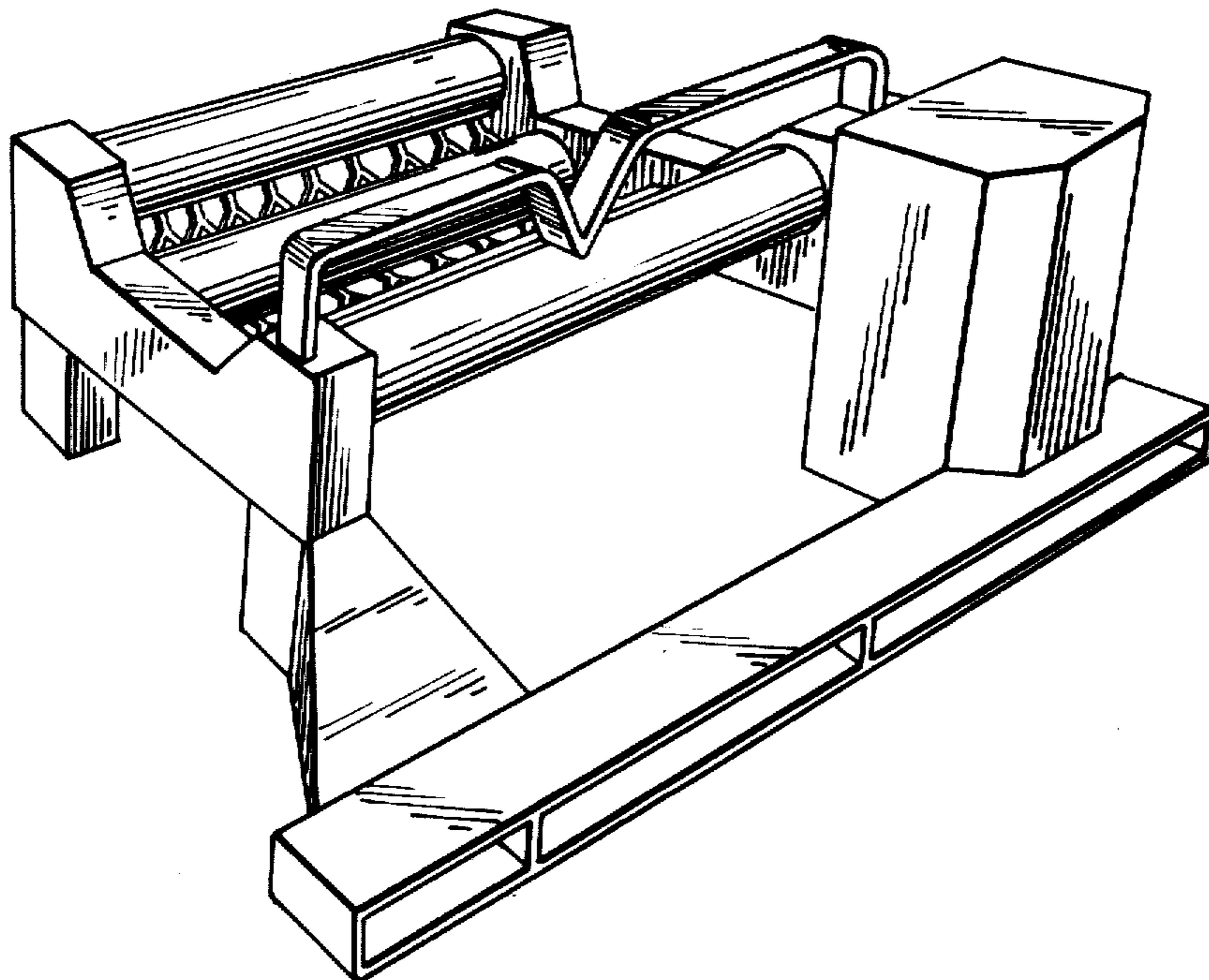


FIG. 1

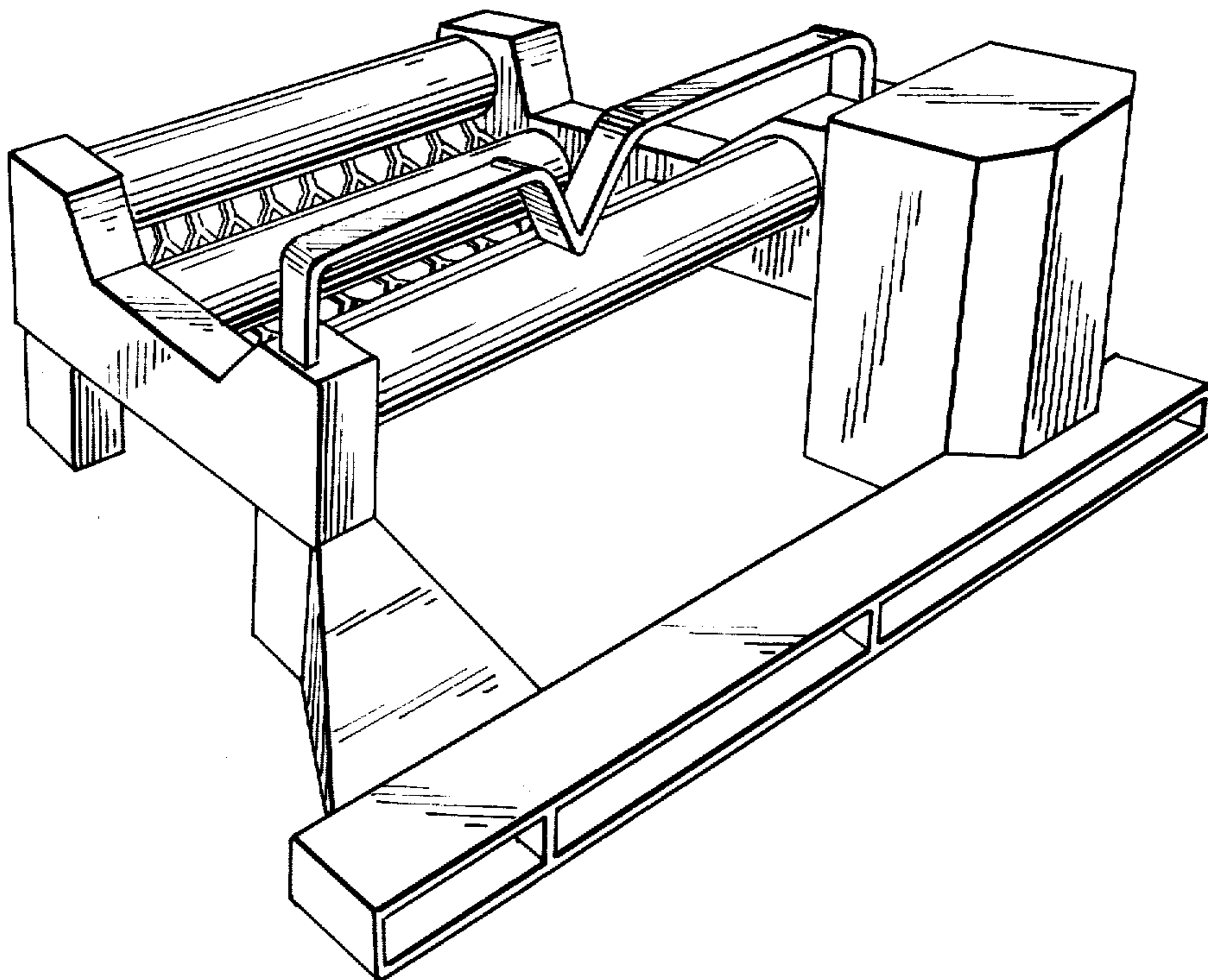


FIG. 2

