

[54] FISHING REEL

[56] References Cited

[75] Inventors: Robert W. Fee, Wichita; Richard J. Robbins, Derby, both of Kans.; Henry L. Neufeld, Tulsa, Okla.

U.S. PATENT DOCUMENTS

D. 262,483 12/1981 Miller ..... D22/25  
4,323,203 4/1982 Neufeld ..... 242/84.2 A

[73] Assignee: Brunswick Corporation, Skokie, Ill.

Primary Examiner—A. Hugo Word  
Attorney, Agent, or Firm—John G. Heimovics

[\*\*] Term: 14 Years

[57] CLAIM

The ornamental design of a fishing reel, as shown and described.

[21] Appl. No.: 286,751

DESCRIPTION

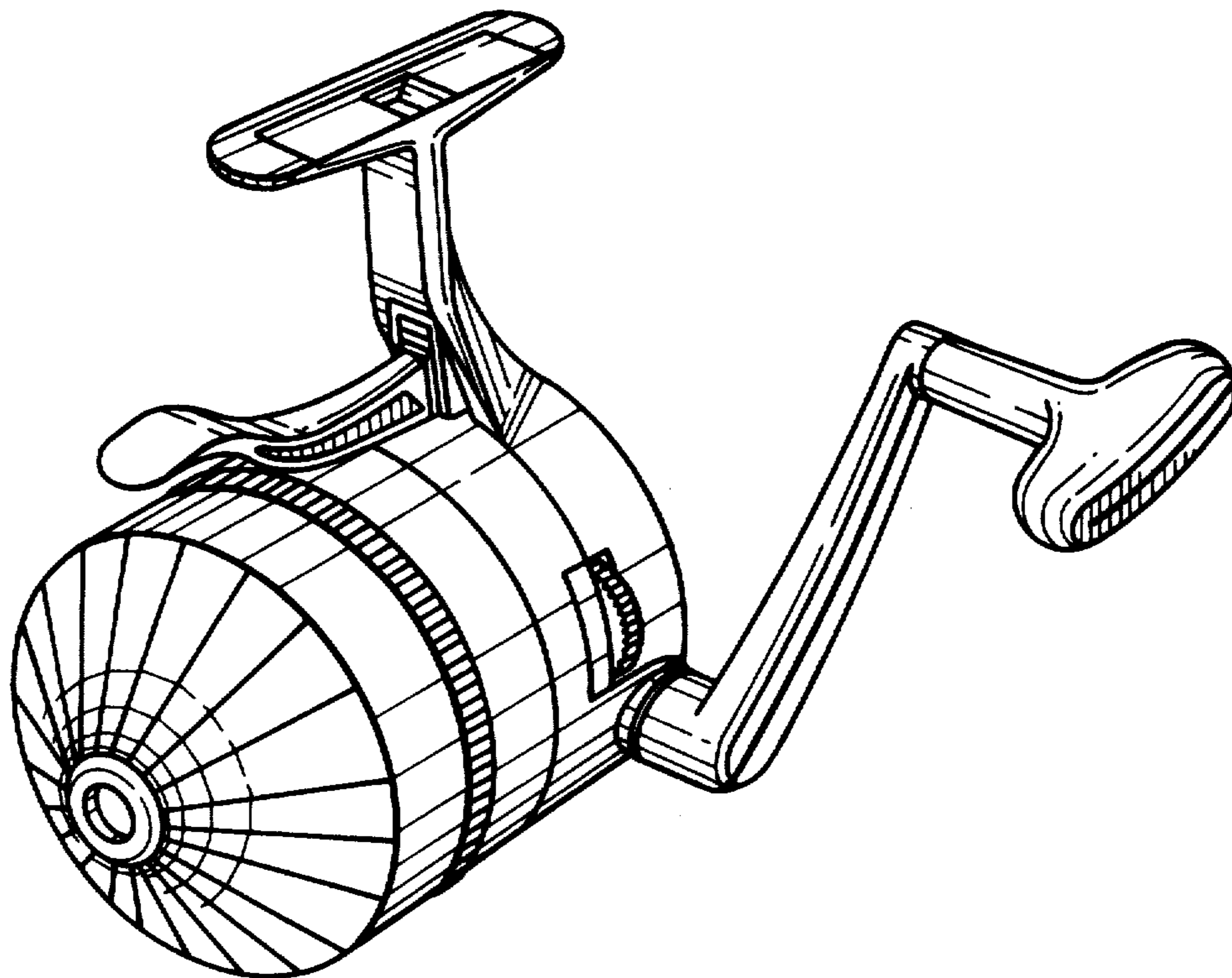
[22] Filed: Jul. 28, 1981

FIG. 1 is a perspective view of a front and side portion of the fishing reel showing our new design; FIG. 2 is a side elevation view thereof; FIG. 3 is a front elevation view thereof; FIG. 4 is a side elevation view thereof; FIG. 5 is a rear elevation view thereof; FIG. 6 is a top plan view thereof; and, FIG. 7 is a bottom plan view thereof.

[51] Int. Cl. .... D22—05

[52] U.S. Cl. .... D22/25

[58] Field of Search ..... 242/84.1 R, 84.2 R,  
242/84.2 A; D22/25



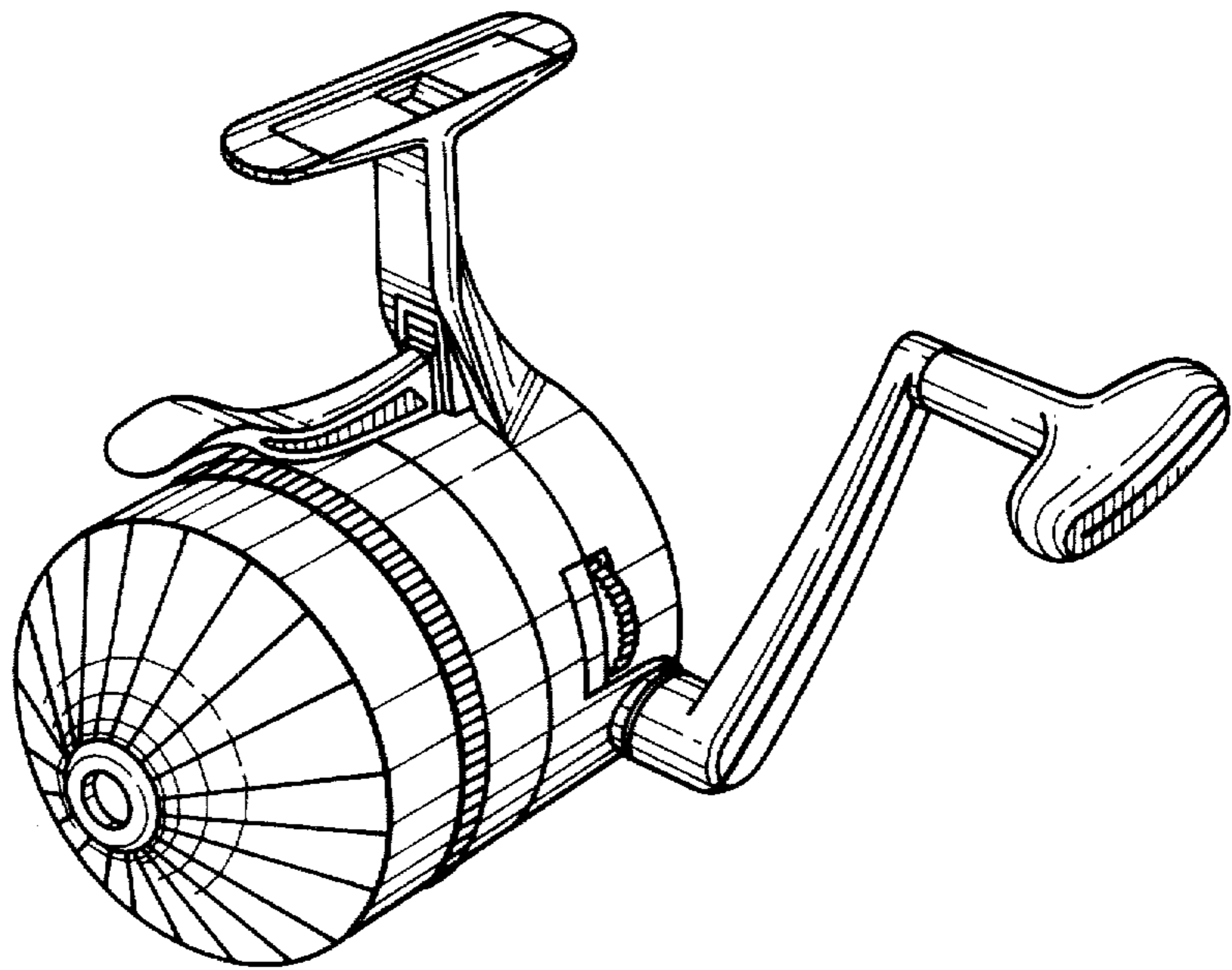


FIG. 1

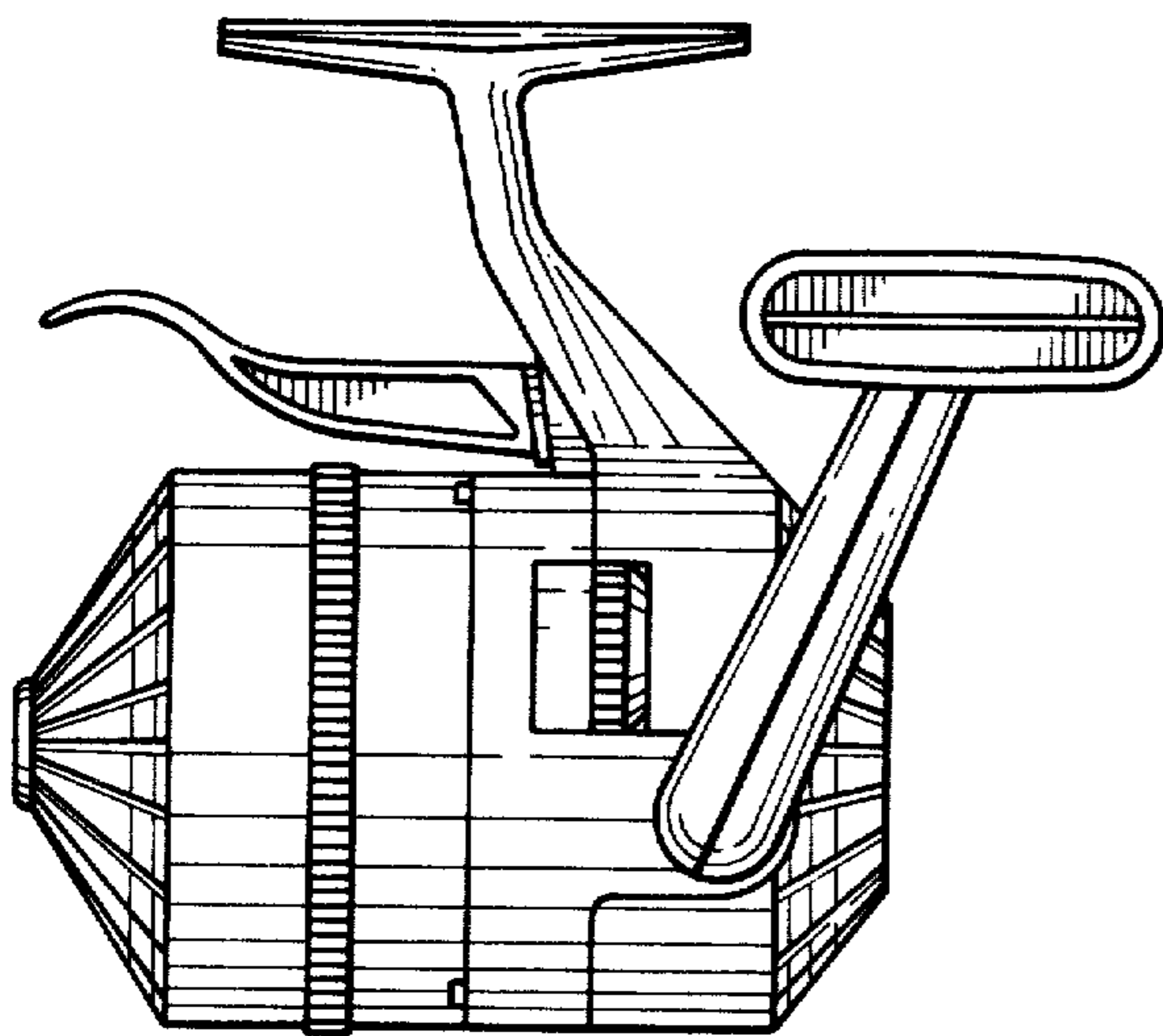


FIG. 2

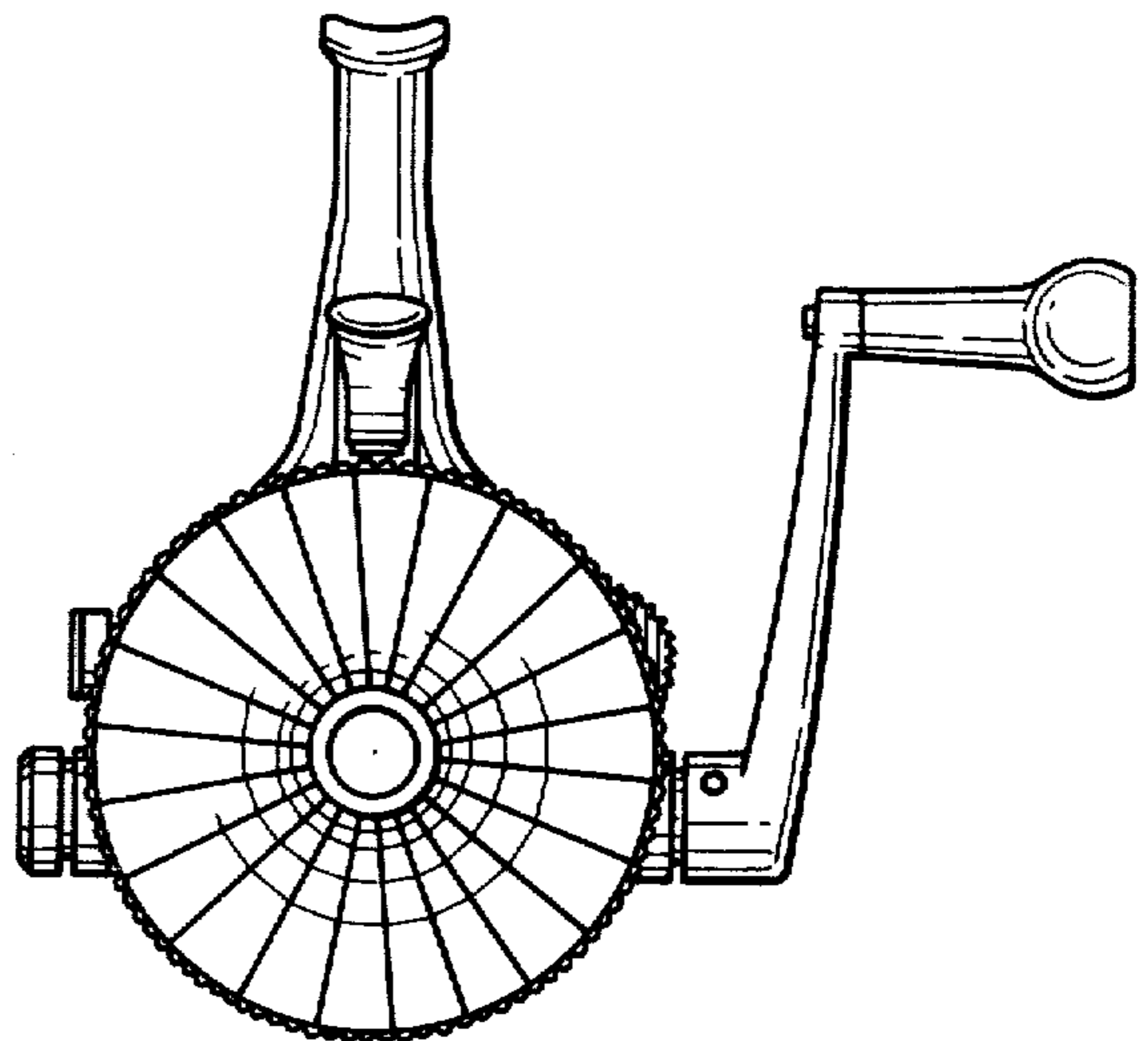


FIG. 3

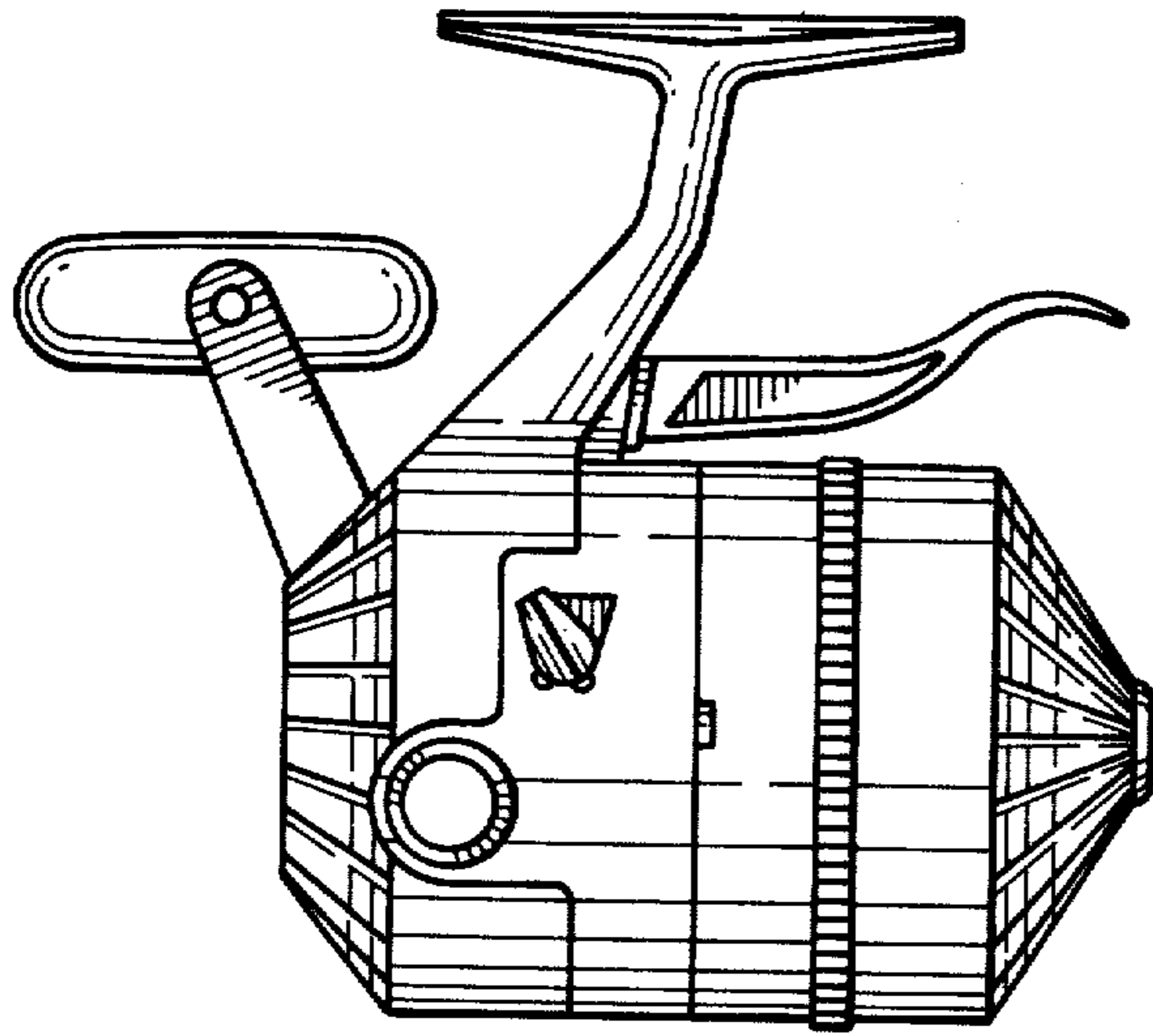


FIG. 4

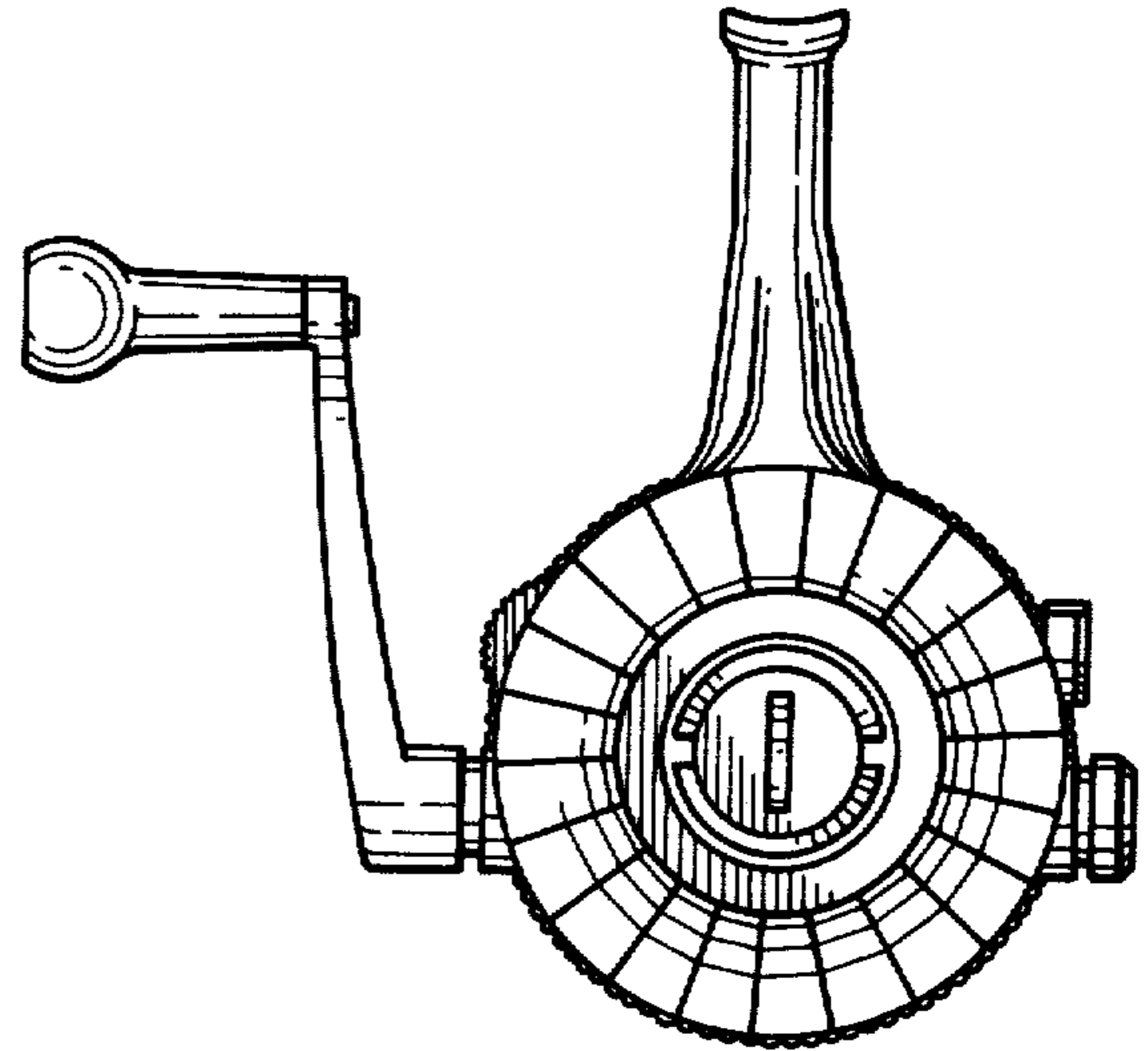


FIG. 5

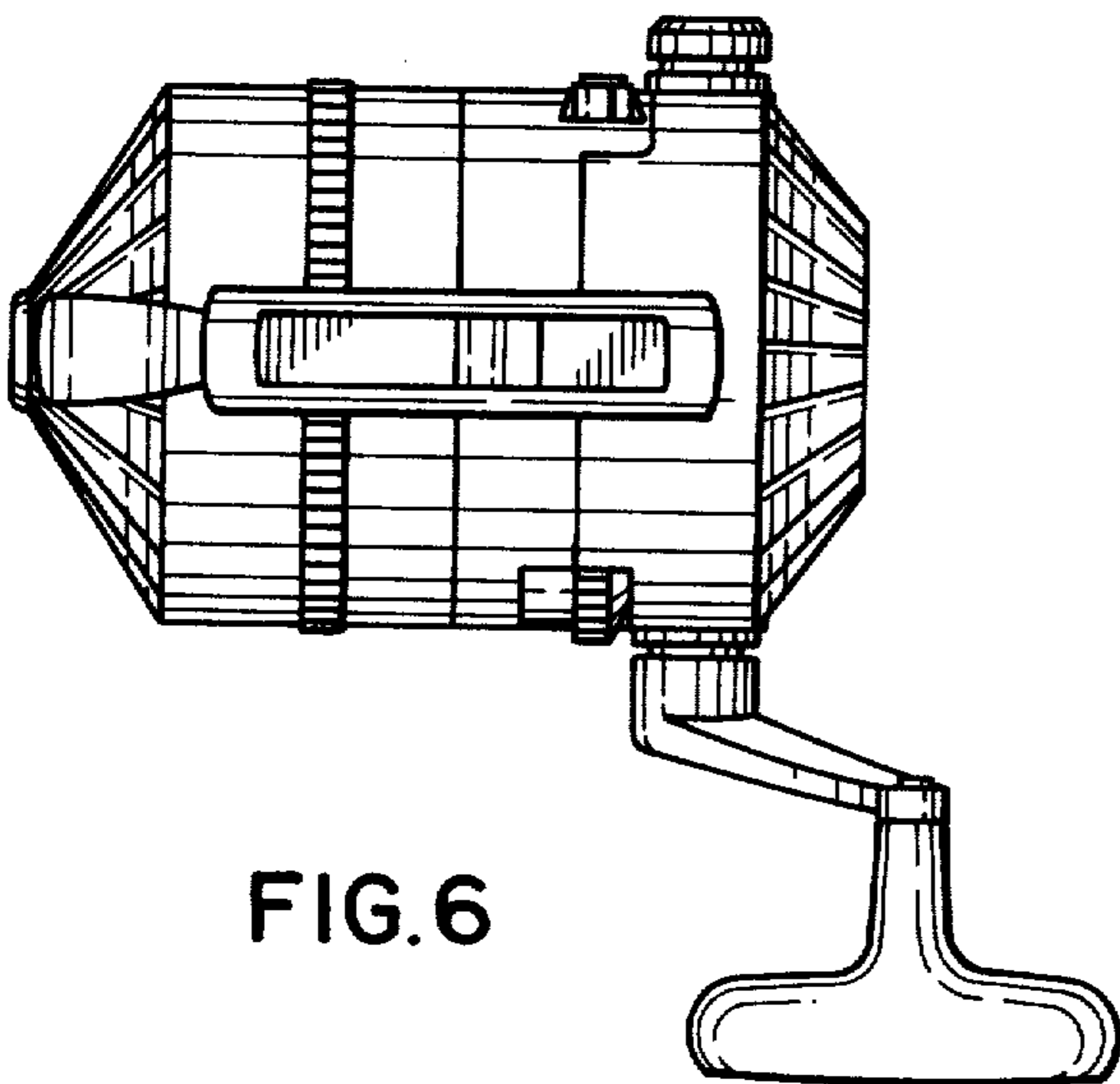


FIG. 6

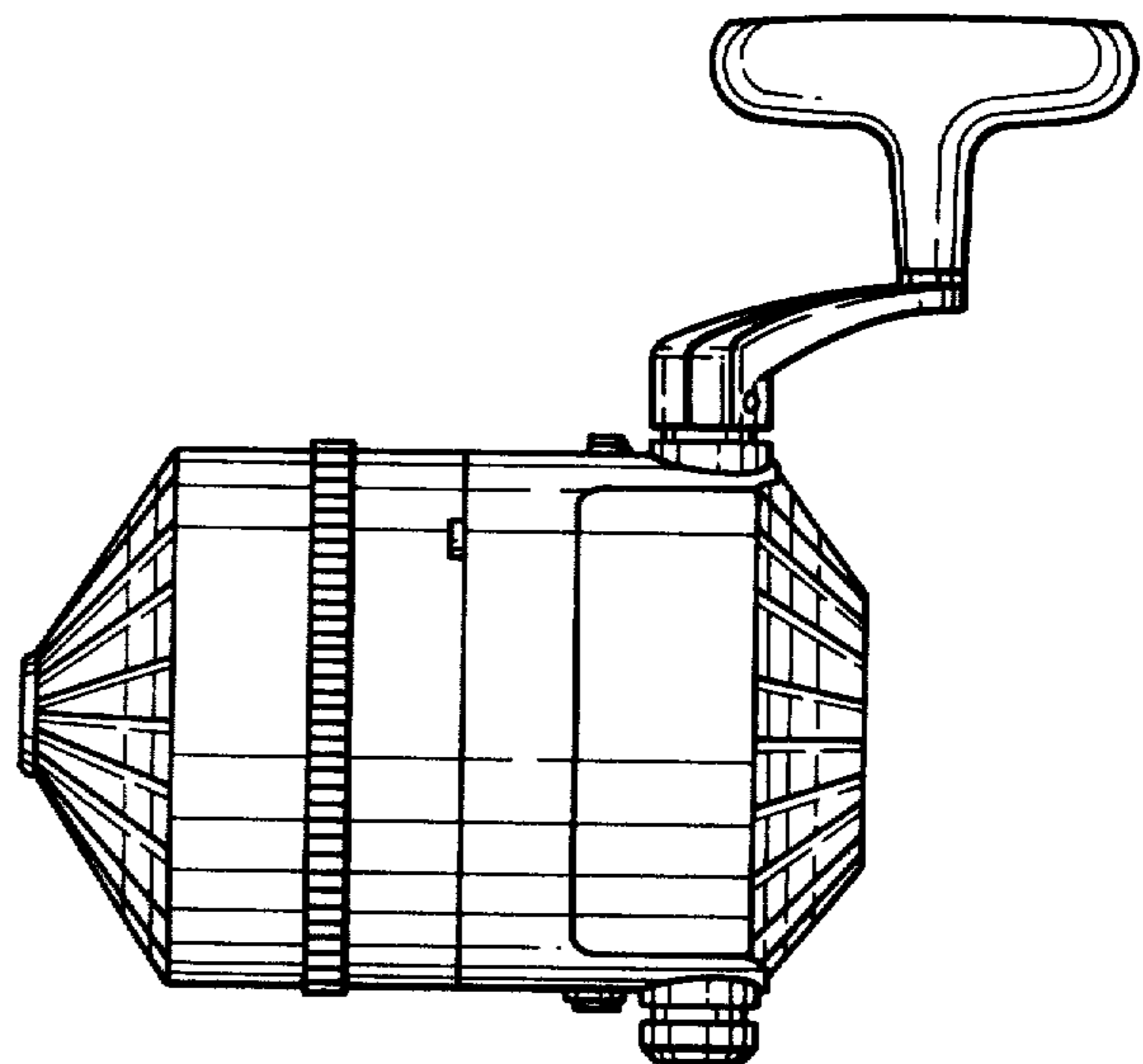


FIG. 7